

RICOH

RICOH PRIPORT VT2400
PARTS CATALOG

First Edition July 1995

RICOH COMPANY, LTD.

PARTS CATALOG

INTRODUCTION

This chapter instructs you the numbers and names of parts on this machine.

INDEX to PARTS CATALOG

VT2400	(C222)
DF UNIT	(C550)
DF UNIT TYPE 50	(C562)
SORTER TS20A/20B	(C560/C561)
RT4000	(C563)
TAPE MARKER TYPE20	(C532)

VT2400 (C222)

PARTS CATALOG

INTRODUCTION

This chapter instructs you the numbers and names of parts on this machine.

INDEX to PARTS CATALOG

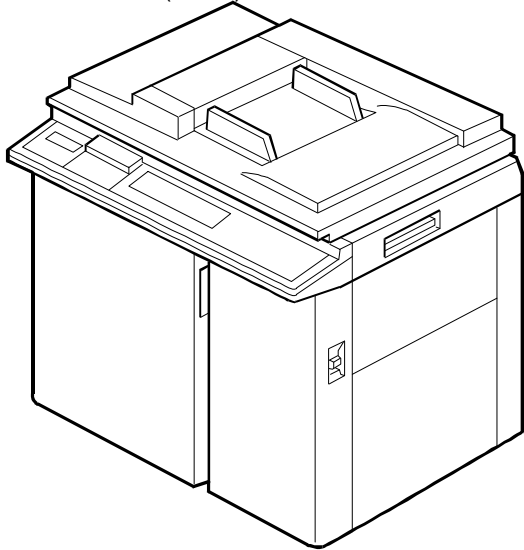
Location of Unit	3	18.Paper Exit Section 3 (C222).....	44
1.Exterior (C222).....	10	19.Drum Section 1 (C222).....	46
2.Platen Cover (C222).....	12	20.Drum Section 2 (C222).....	48
3.Frame Section 1 (C222).....	14	21.Drum Section 3 (C222).....	50
4.Frame Section 2 (C222).....	16	22.Drum Section 4 (C222).....	52
5.Drive Section 1 (C222).....	18	23.Scanner Section 1 (C222).....	54
6.Drive Section 2 (C222).....	20	24.Scanner Section 2 (C222).....	56
7.Paper Table Section 1 (C222).....	22	25.Scanner Section 3 (C222).....	58
8.Paper Table Section 2 (C222).....	24	26.Scanner Section 4 (C222).....	60
9.Paper Feed Roller And Sepalation Roller(C222).....	26	27.Plotter Section 1 (C222).....	62
10.Paper Sepalation Roller (C222).....	28	28.Plotter Section 2 (C222).....	64
11.Paper Delivery Section 1 (C222).....	30	29.Plotter Section 3 (C222).....	66
12.Paper Delivery Section 2 (C222).....	32	30.Plotter Section 4 (C222).....	68
13.Paper Delivery Section 3 (C222).....	34	31.Master Eject Section 1 (C222).....	70
14.Paper Delivery Section 4 (C222).....	36	32.Master Eject Section 2 (C222).....	72
15.Delivery Table (C222).....	38	33.Master Eject Section 3 (C222).....	74
16.Paper Exit Section 1 (C222).....	40	34.Electrical Section 1 (C222).....	76
17.Paper Exit Section 2 (C222).....	42	35.Electrical Section 2 (C222).....	78

July,31'95

36.Accessories And Special Tools (C222)	80
37.Cassette (C222)	82
38.Table Section (C222).....	84
39.Decal And Document (C222).....	86
Parts Index	89

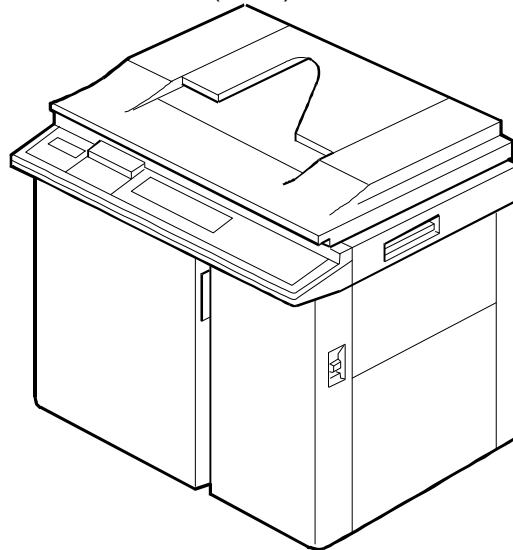
Location Of Unit

1. EXTERIOR (C222)



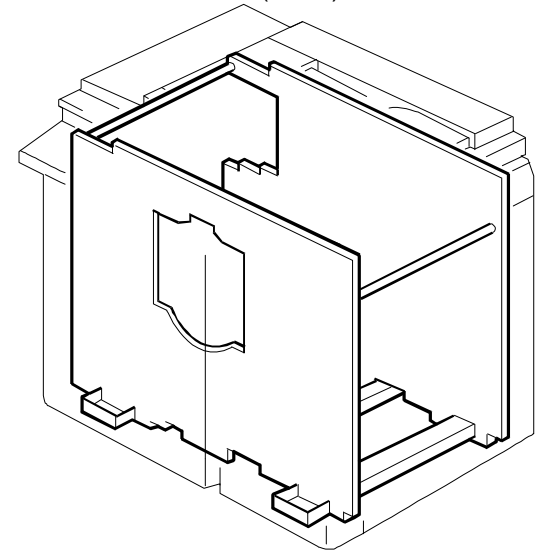
See Page 10

2. PLATENCOVER (C222)



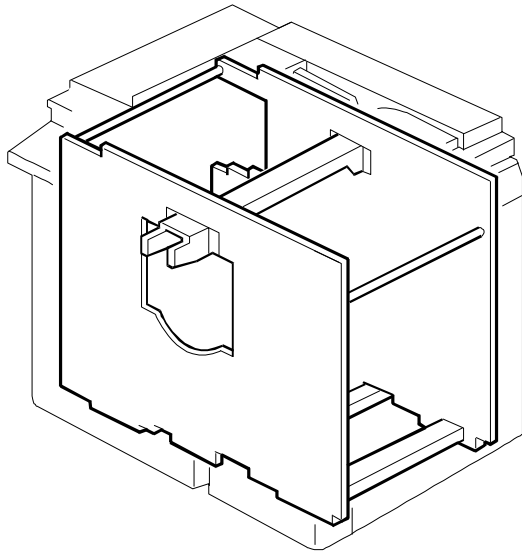
See Page 12

3. FRAME SECTION 1 (C222)



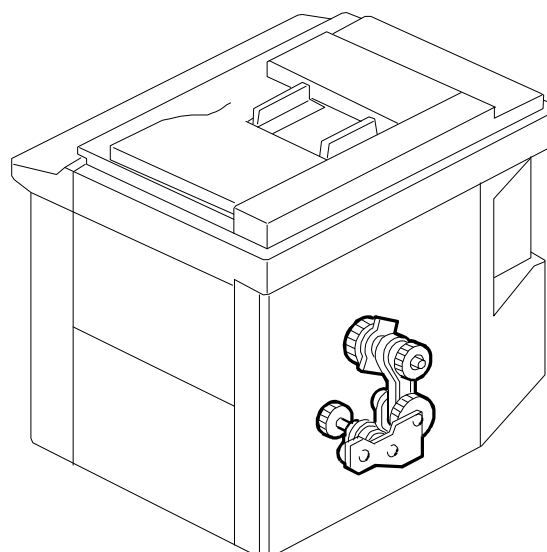
See Page 14

4. FRAME SECTION 2 (C222)



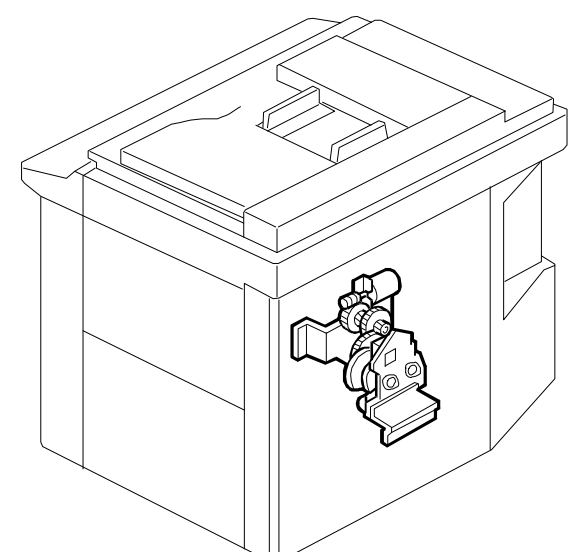
See Page 16

5. DRIVE SECTION 1 (C222)



See Page 18

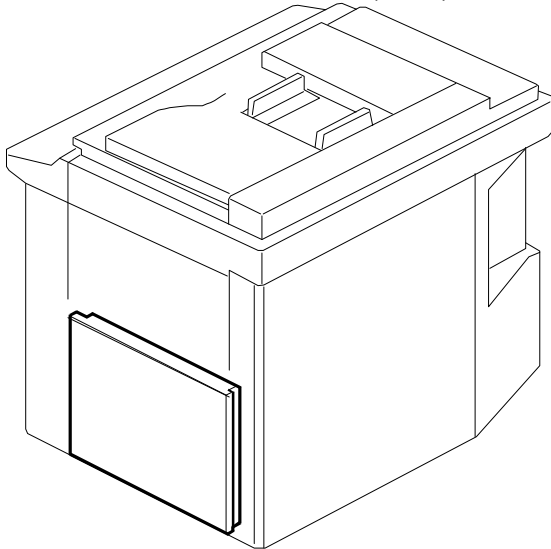
6. DRIVE SECTION 2 (C222)



See Page 20

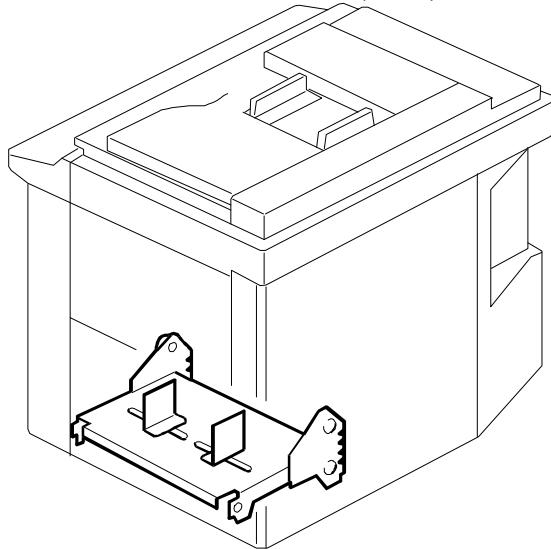
Location Of Unit

7. PAPER TABLE SECTION 1 (C222)



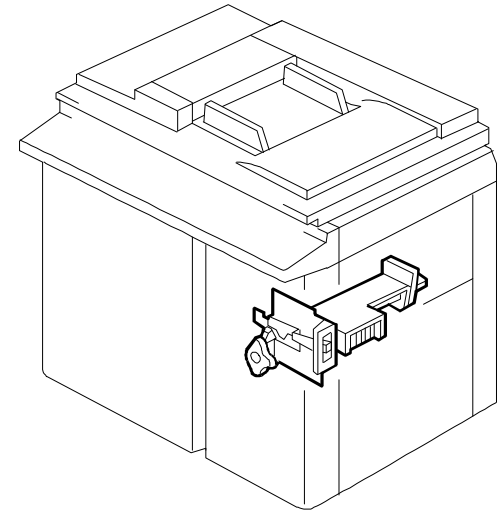
See Page 22

8. PAPER TABLE SECTION 2 (C222)



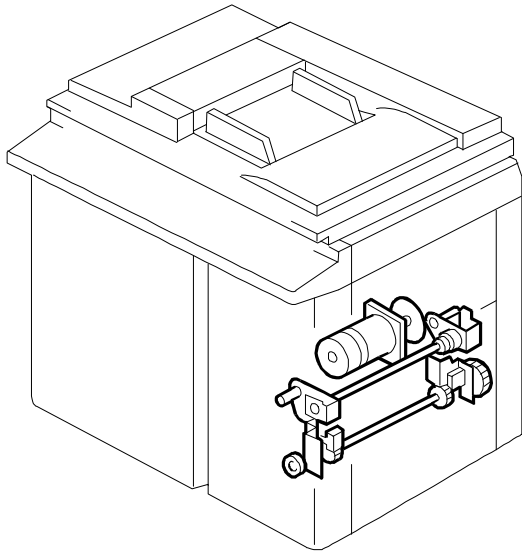
See Page 24

9. PAPER FEED ROLLER AND SEPALATION ROLLER(C222)



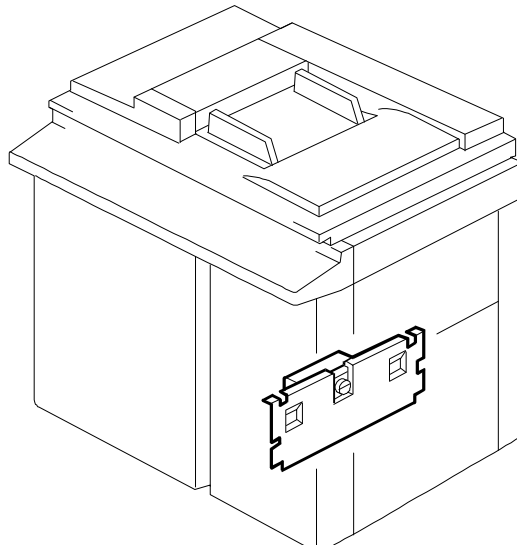
See Page 26

10. PAPER SEPALATION ROLLER (C222)



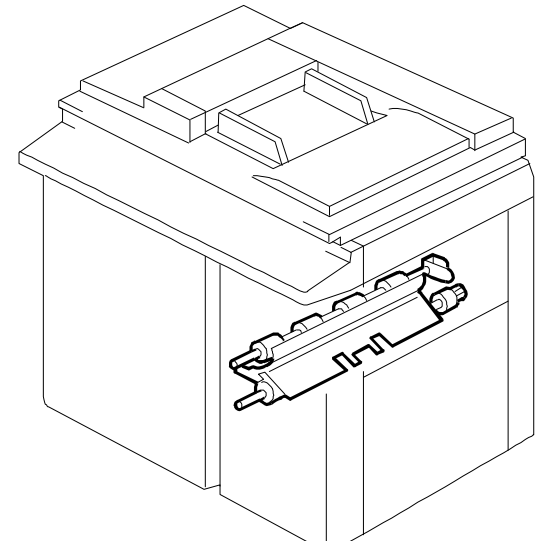
See Page 28

11. PAPER DELIVERY SECTION 1 (C222)



See Page 30

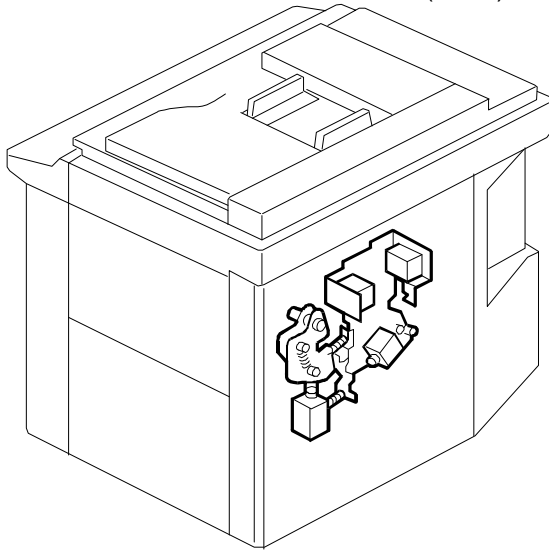
12. PAPER DELIVERY SECTION 2 (C222)



See Page 32

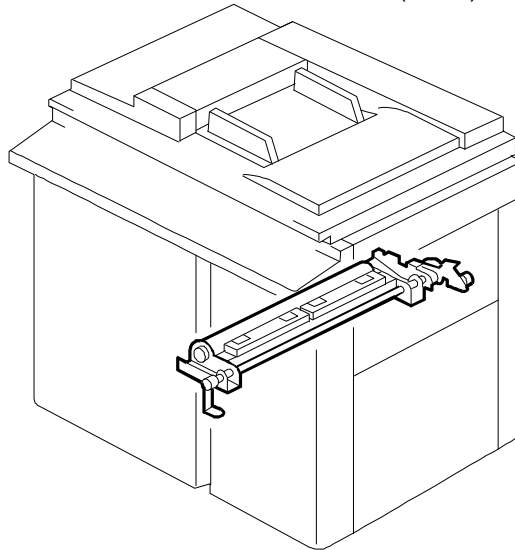
Location Of Unit

13. PAPER DELIVERY SECTION 3 (C222)



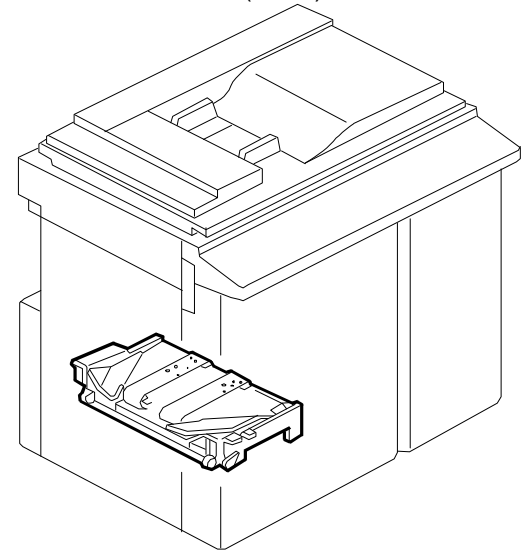
See Page 34

14. PAPER DELIVERY SECTION 4 (C222)



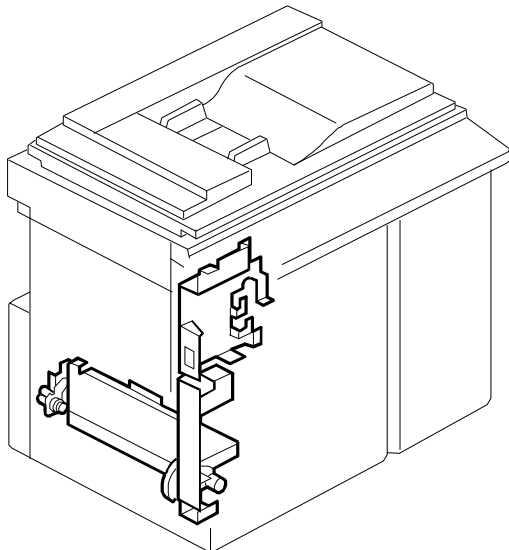
See Page 36

15. DELIVERY TABLE (C222)



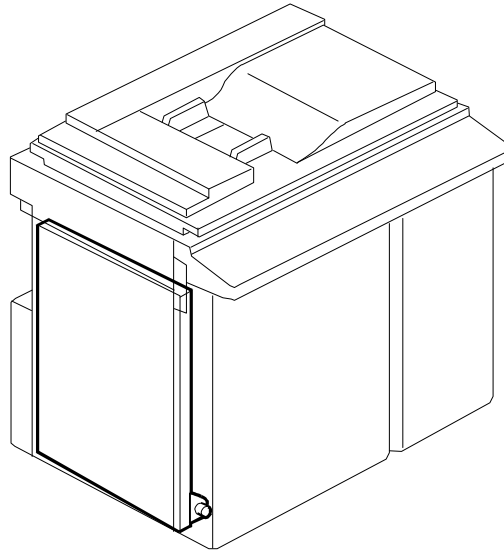
See Page 38

16. PAPER EXIT SECTION 1 (C222)



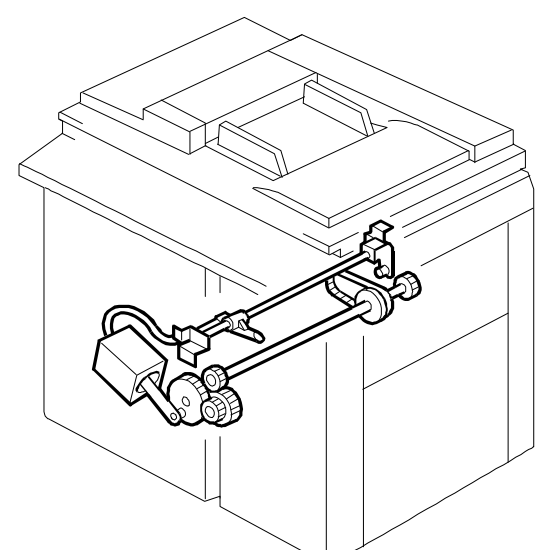
See Page 40

17. PAPER EXIT SECTION 2 (C222)



See Page 42

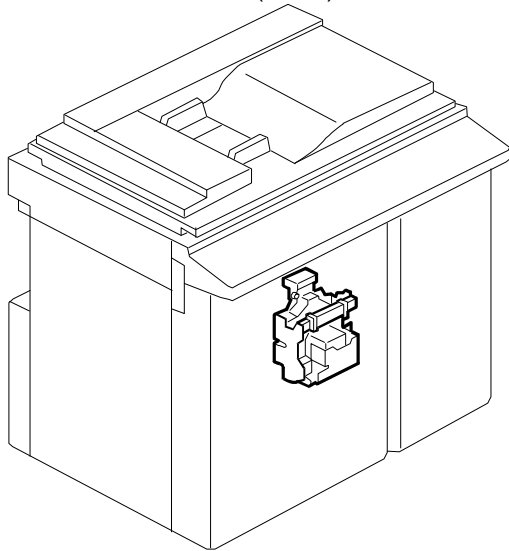
18. PAPER EXIT SECTION 3 (C222)



See Page 44

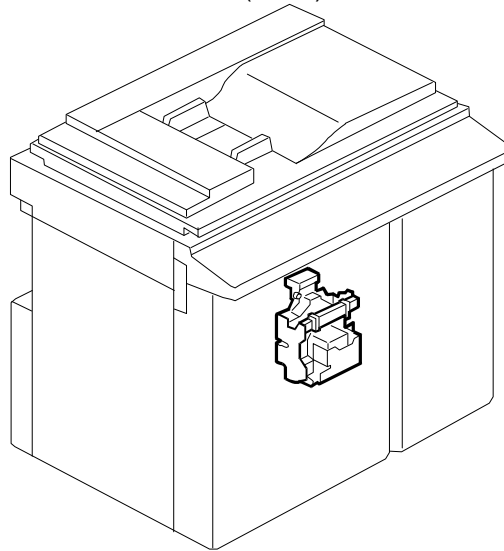
Location Of Unit

19. DRUM SECTION 1 (C222)



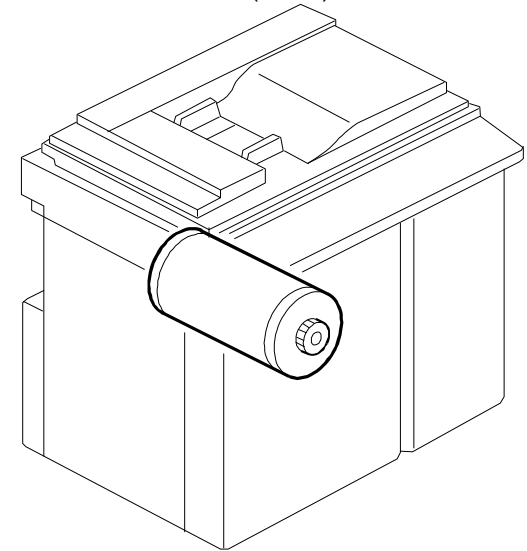
See Page 46

20. DRUM SECTION 2 (C222)



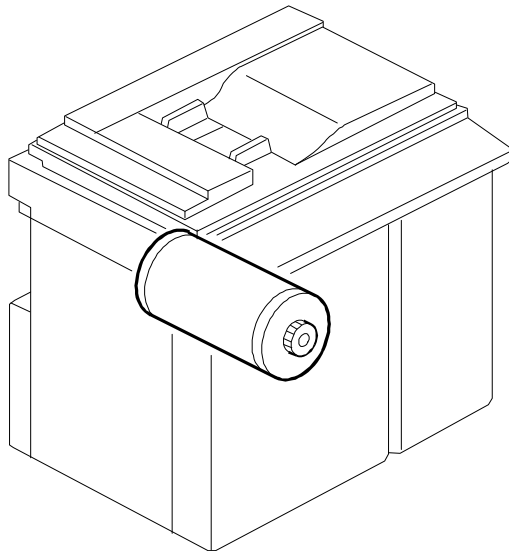
See Page 48

21. DRUM SECTION 3 (C222)



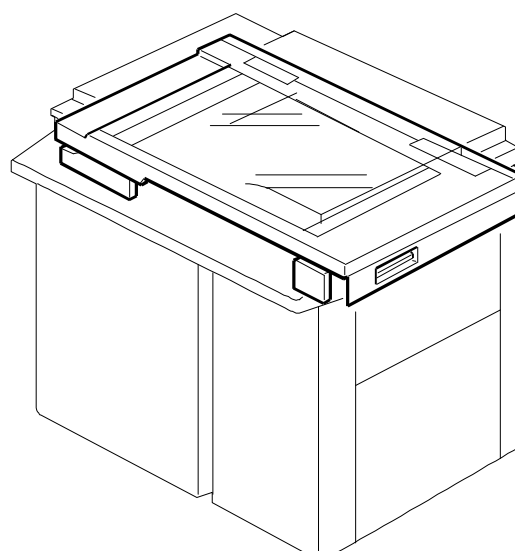
See Page 50

22. DRUM SECTION 4 (C222)



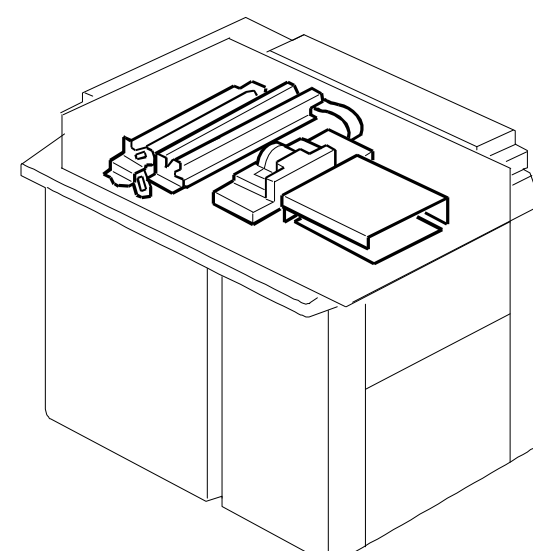
See Page 52

23. SCANNER SECTION 1 (C222)



See Page 54

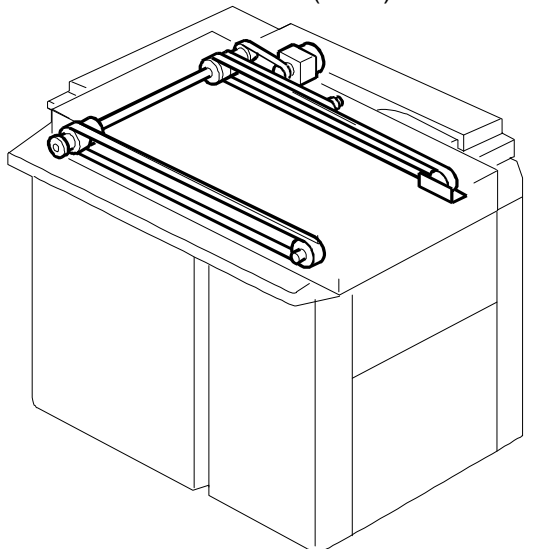
24. SCANNER SECTION 2 (C222)



See Page 56

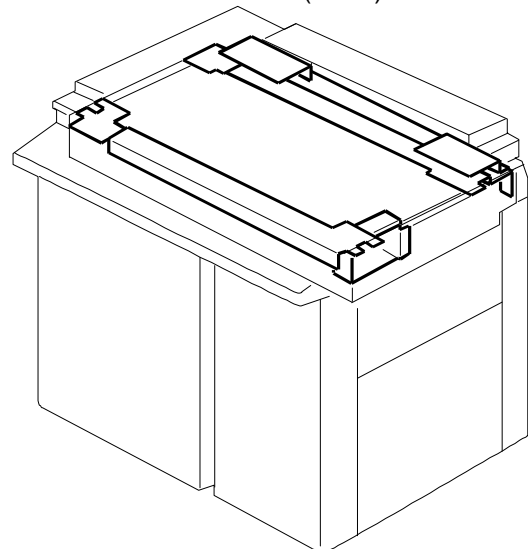
Location Of Unit

25. SCANNER SECTION 3 (C222)



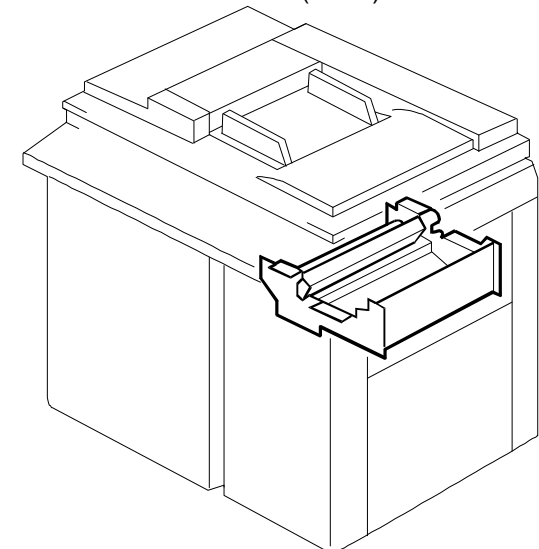
See Page 58

26. SCANNER SECTION 4 (C222)



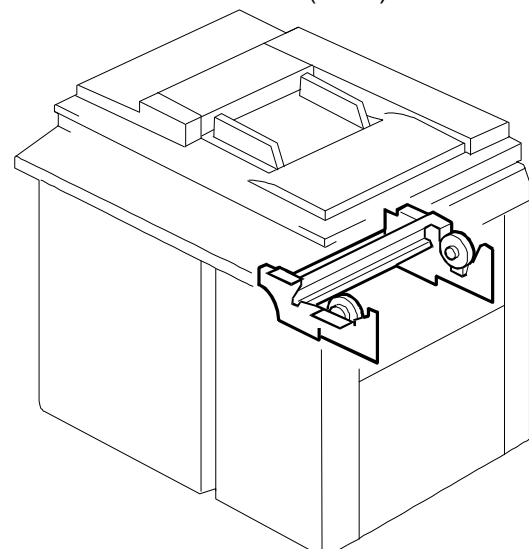
See Page 60

27. PLOTTER SECTION 1 (C222)



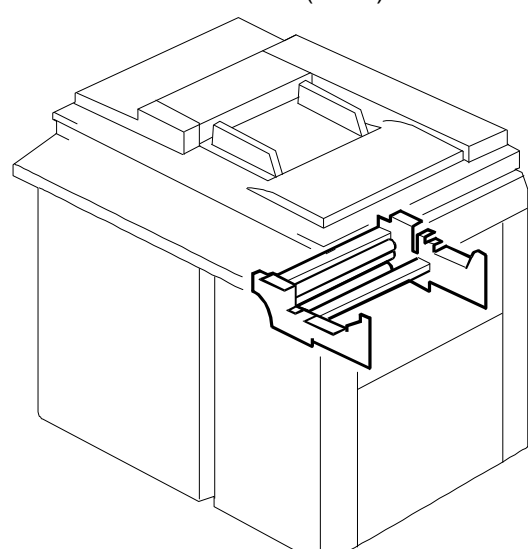
See Page 62

28. PLOTTER SECTION 2 (C222)



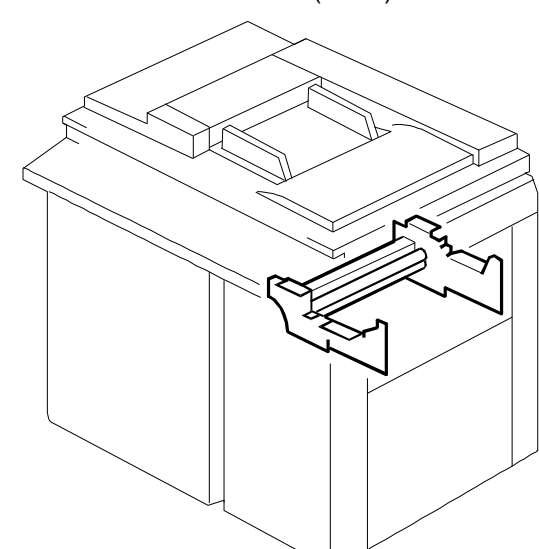
See Page 64

29. PLOTTER SECTION 3 (C222)



See Page 66

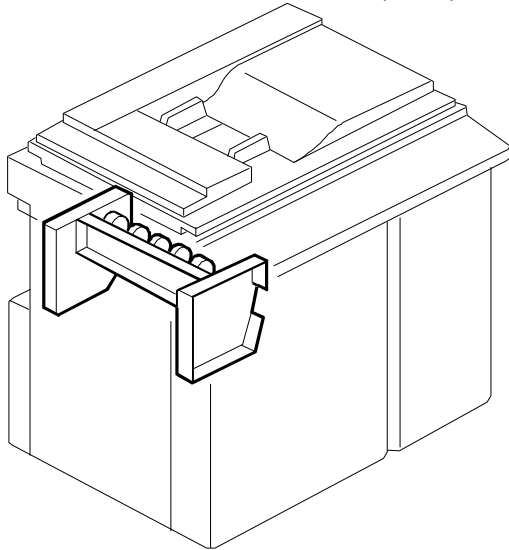
30. PLOTTER SECTION 4 (C222)



See Page 68

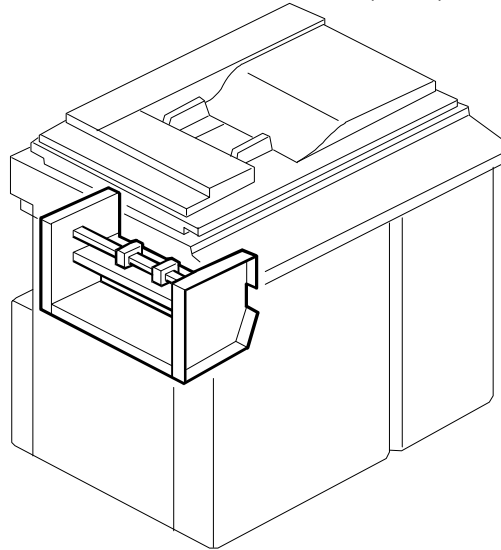
Location Of Unit

31. MASTER EJECT SECTION 1 (C222)



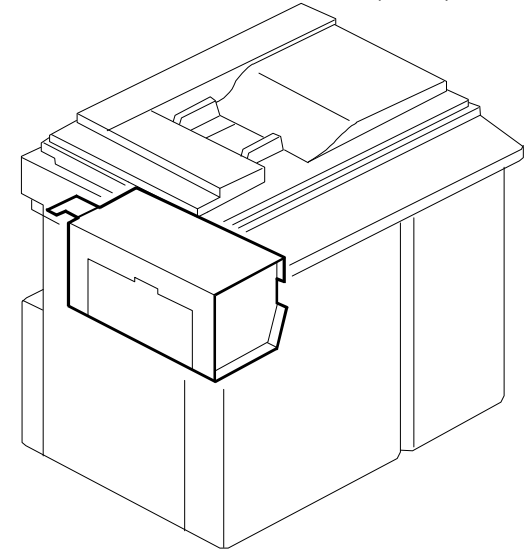
See Page 70

32. MASTER EJECT SECTION 2 (C222)



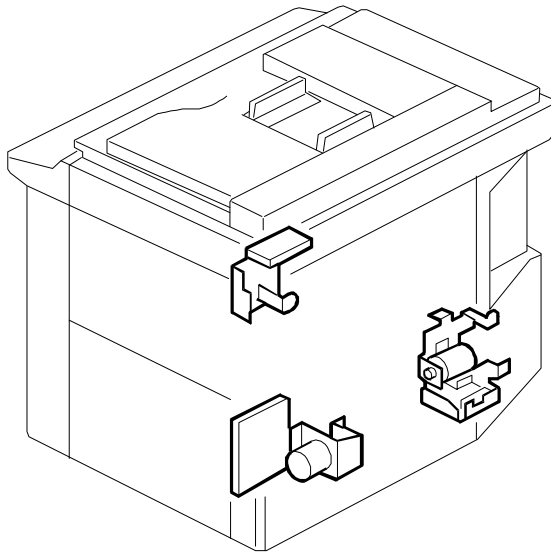
See Page 72

33. MASTER EJECT SECTION 3 (C222)



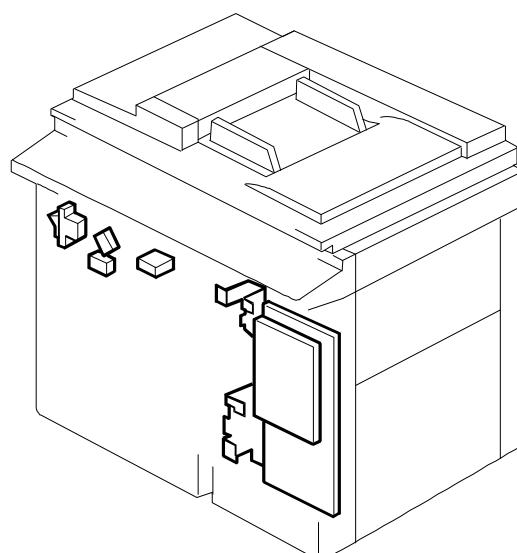
See Page 74

34. ELECTRICAL SECTION 1 (C222)



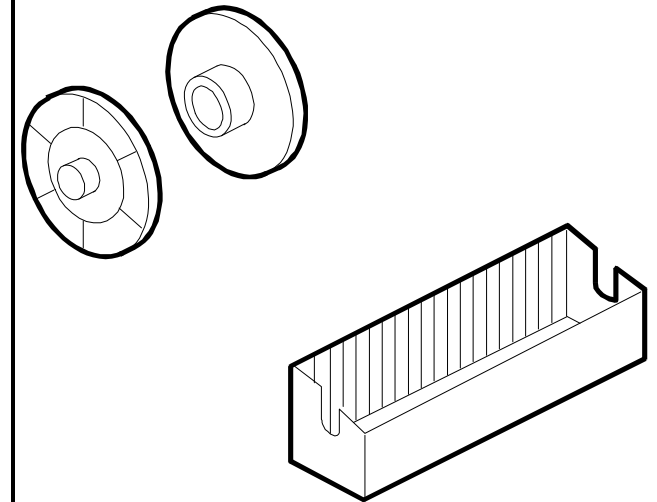
See Page 76

35. ELECTRICAL SECTION 2 (C222)



See Page 78

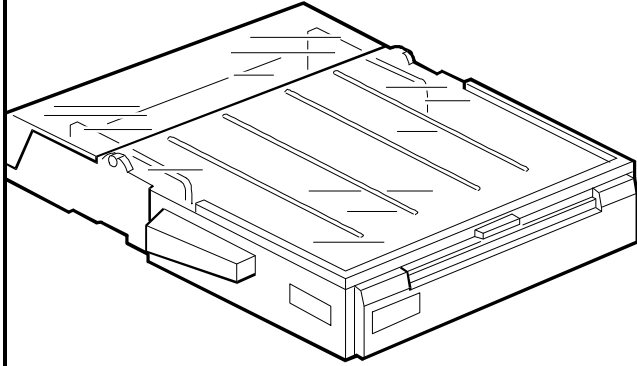
36. ACCESSORIES AND SPECIAL TOOLS (C222)



See Page 80

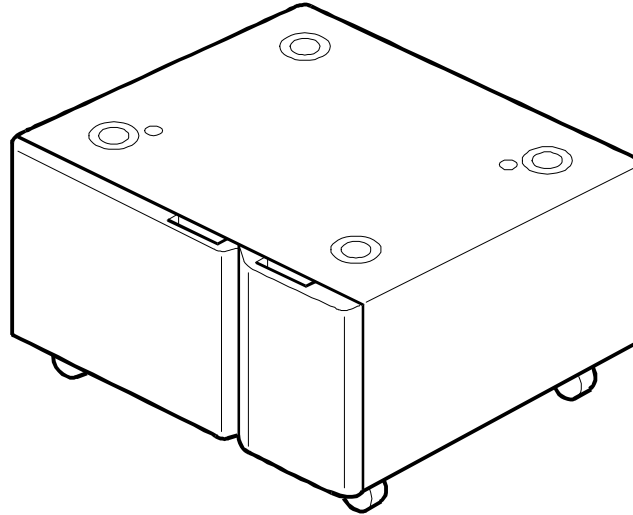
Location Of Unit

37. CASSETTE (C222)



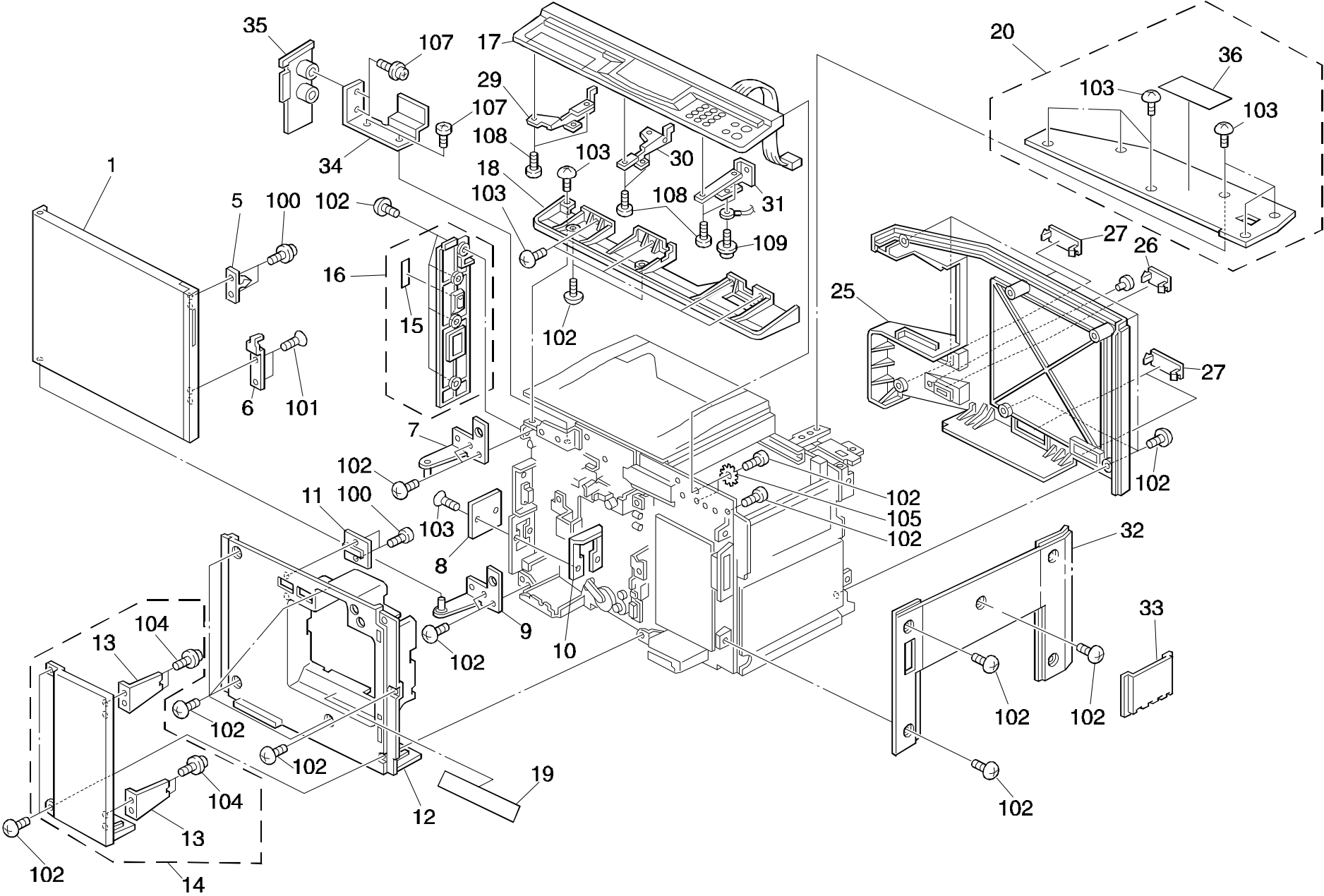
See Page 82

38. TABLE SECTION (C222)



See Page 84

1. Exterior (C222)

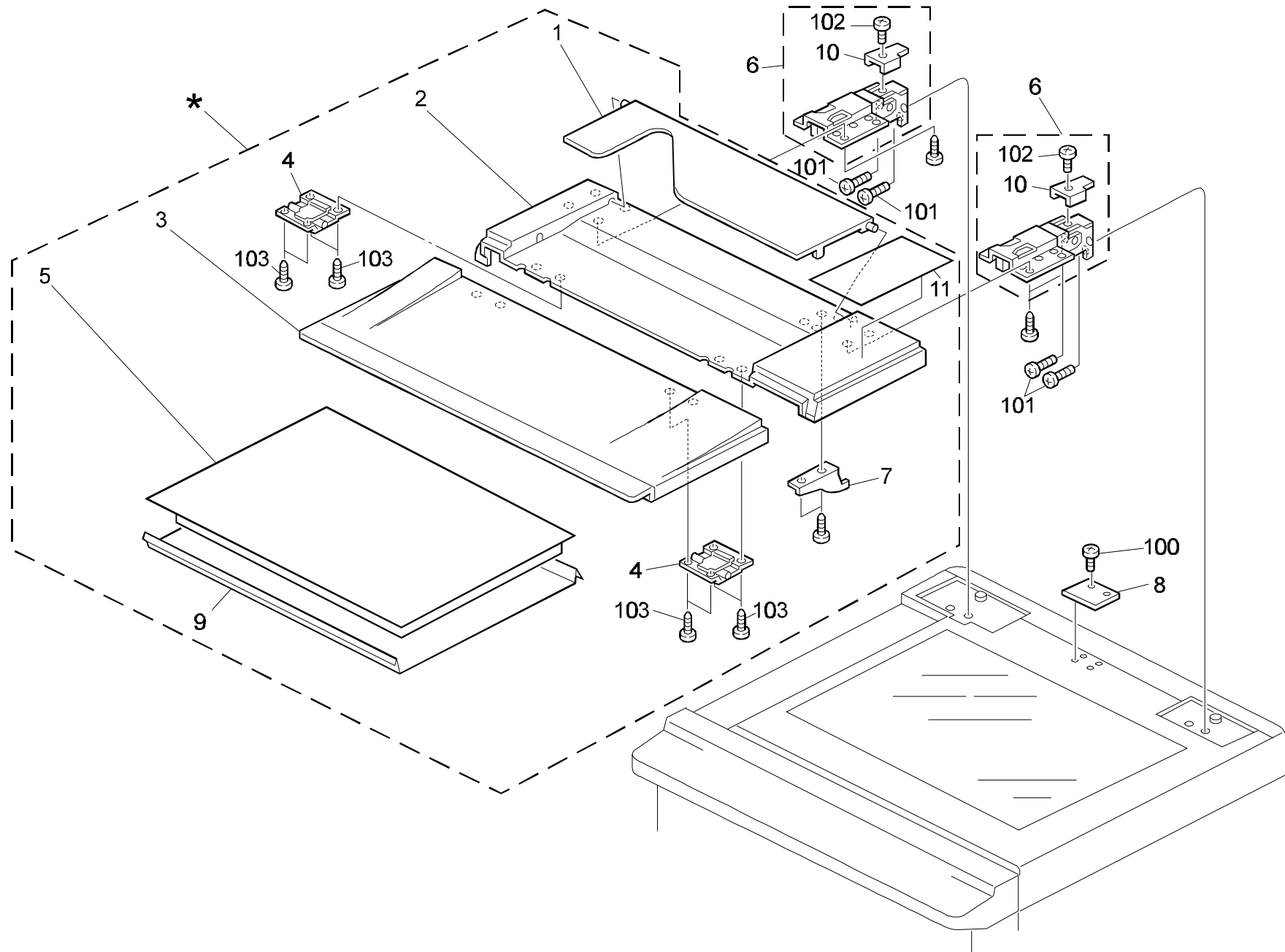


1.Exterior (C222)

Index No.	Part No.	Description	Q'ty Per Assembly
1	C219 2424	Front Door Ass'y	1
5	C209 2469	Door Catch	1
6	C209 2428	Magnet Catch Plate	1
7	C209 2432	Upper Hinge Bracket	1
8	C217 2455	Key Counter Cover	1
9	C209 2435	Lower Hinge Bracket	1
10	A030 1339	Plate Nut - Key Counter	1
11	C209 2470	Left Cover Cap	1
12	C218 2803	Left Front Cover - LT	1
12	C218 2832	Left Front Cover (A4)	1
13	C209 2411	Right Cover Support Bracket	2
14	C222 2810	Front Right Cover	1
15	C217 2514	Decal - Main Switch	1
16	C218 2809	Main Switch Cover	1
17	C222 2800	Operation Panel Unit - LT	1
17	C222 2830	Operation Panel Ass'y - A4	1
18	C218 2405	Lower Cover- Operation Panel	1
19	C218 2817	Decal - Replacement	1
20	C222 2811	Rear Upper Cover	1
25	C222 2812	Rear Cover	1
26	C217 2453	Rear Cover Cap - Small	1
27	C217 2454	Rear Cover Cap - Large	2
29	C222 2120	Left Bracket - Operation Panel	1
30	C222 2121	Middle Bracket - Operation Panel	1
31	C222 2122	Right Bracket - Operation Panel	1
32	C218 2450	Right Cover	1
33	C219 2705	Original Holder	1
34	C218 2026	Grounding Bracket	1
35	C218 2750	Front Left Cover	1
36	C222 2552	Decal - Master Set	1

Index No.	Part No.	Description	Q'ty Per Assembly
100	0965 3010W	Tapping Screw With Flat Washer-M3x1	
101	0802 5149	Tapping Screw - M4x9	
102	0344 0060D	Philips Truss Head Screw - M4x6	
103	0333 0080D	Philips Counter Sunk Screw - M3x8	
104	0965 4008W	Tapping Screw With Flat Washer-M4x8	
105	0705 0040B	Toothed Washer	
106	0434 0062W	Pan Head Tapping Screw - M4x6	
107	0965 4006B	Tapping Screw - M4x6	
108	0802 5233	Tapping Screw - M3x10	
109	0951 4006Z	Philips Screw With Flat Washer - M4	

2. Platen Cover (C222)

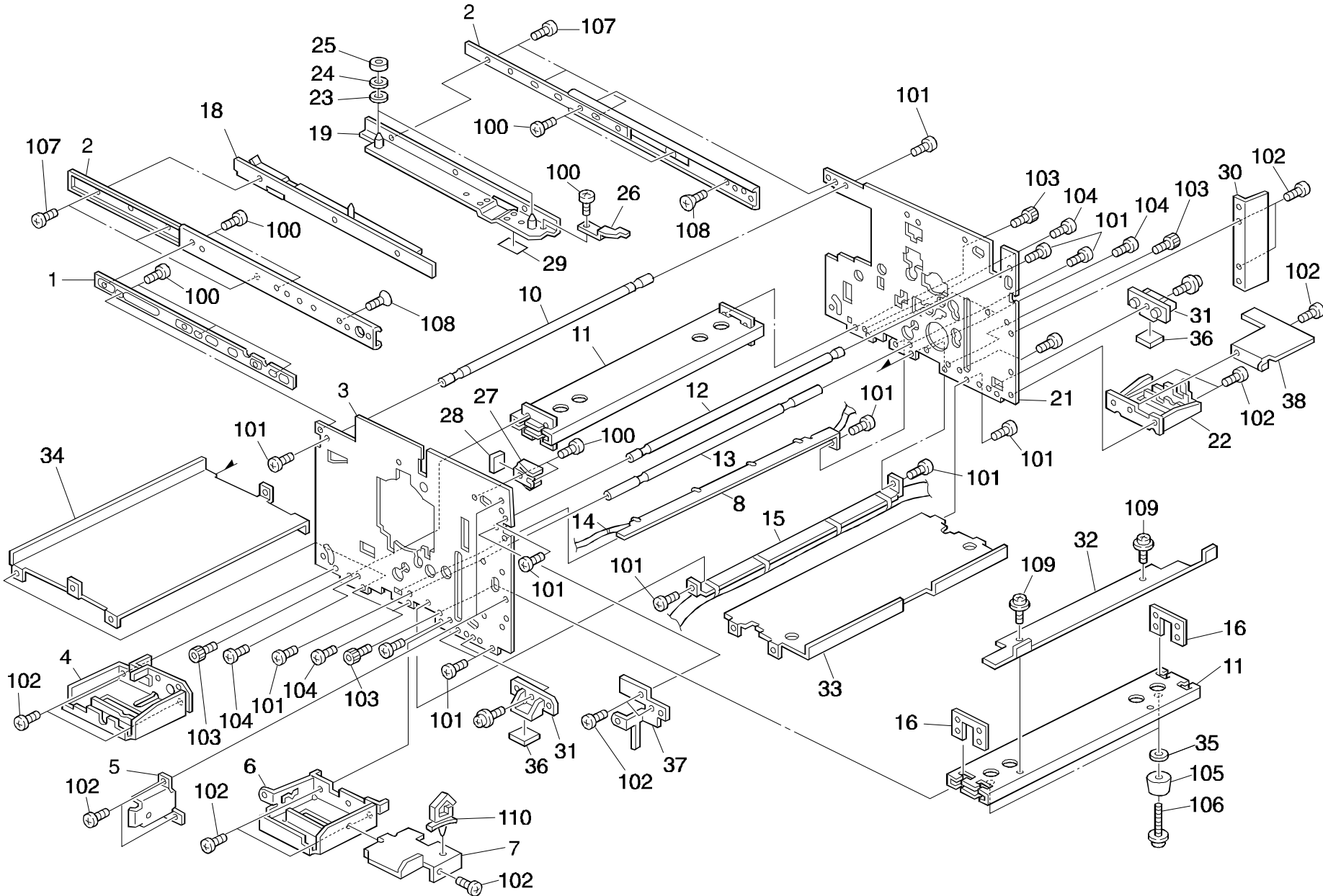


2.Platen Cover (C222)

Index No.	Part No.	Description	Q'ty Per Assembly
*	C218 2807	Platen Cover Ass'y	1
1	C219 2705	Original Holder	1
2	C219 2704	Rear Platen Cover	1
3	C219 2702	Front Platen Cover	1
4	5448 2824	Flex Hinge - Platen Cover	2
5	AA16 2053	Platen Cover Pad	1
6	C219 2710	Platen Cover Hinge	2
7	C219 2706	Platen Cover Sensor Actuator	1
8	C219 3473	Interface Cover	1
9	C219 2708	Platen Cover Sheet	1
10	C219 2711	Hinge Stopper	2
11	C218 2824	Decal - Original Table - LT	1

Index No.	Part No.	Description	Q'ty Per Assembly
100	0801 1004	Screw - M4X4	
101	0314 0060W	Philips Pan Head Screw - M4x6	
102	0313 0050W	Philips Pan Head Screw - M3x5	
103	0452 4012Z	Tapping Screw - M4x12	

3. Frame Section 1 (C222)

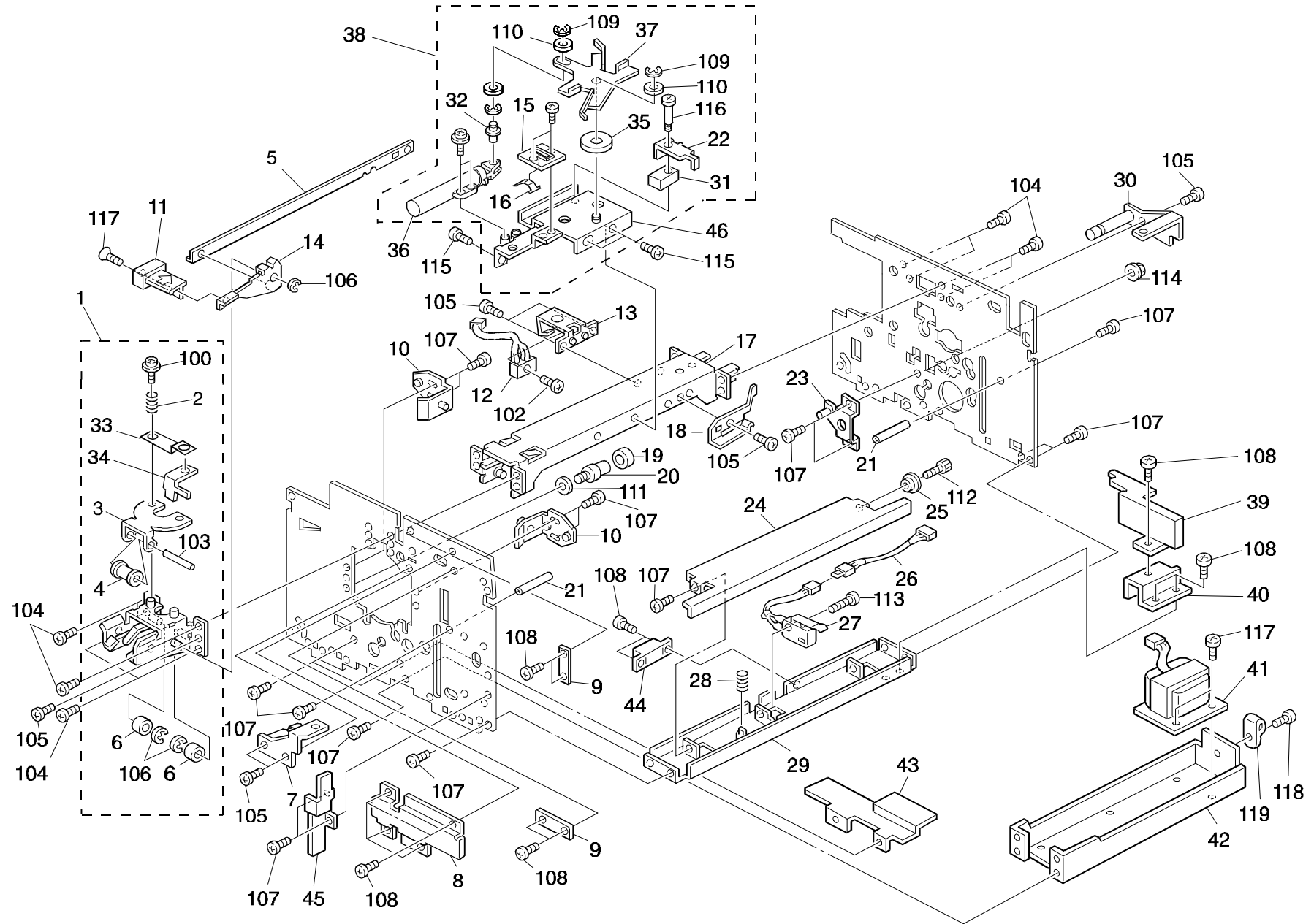


3.Frame Section 1 (C222)

Index No.	Part No.	Description	Q'ty Per Assembly
1	C218 3124	Spacer	1
2	C218 3123	Slide Rail	2
3	C222 2001	Left Side Plate	1
4	C219 2106	Left Grip - Paper Delivery	1
5	C209 2413	Right Cover Bracket	1
6	C209 2061	Left Grip - Paper Feed	1
7	C222 2062	Left Grip Cover	1
8	C219 2112	Harness Stay	1
10	C219 2091	Rear Stay	1
11	C222 2071	Bottom Stay	2
12	C219 2050	Front Stay	1
13	C219 2111	Shaft	2
14	C222 8134	AC Drive Harness	1
15	C222 8131	DC Drive Harness	1
16	C203 2096	Bottom Stay Nut	2
18	C218 3131	Slide Rail Left Bracket	1
19	C218 3127	Slide Rail Right Bracket	1
21	C222 2002	Right Side Plate	1
22	C219 2150	Rear Right Grip	1
23	C218 3135	Spacer Cushion	1
24	C218 3134	Scanner Base Cushion 2	1
25	C218 3133	Scanner Base Cushion 1	1
26	C218 3125	Scanner Open Actuator	1
27	C222 3136	Scanner Rail Stopper	1
28	C218 3138	Stopper Seal	1
29	C218 3130	Slide Rail Seal	1
30	C219 2152	Rear Cover Bracket	1
31	C222 2089	Side Plate Bracket	2
32	C222 2095	Bottom Cover - Delivery Table	1
33	C222 2093	Bottom Cover - Paper Feed	1
34	C222 2098	Bottom Cover	1
35	C209 2006	Spacer	1
36	C222 2092	Seal	2
37	C219 2027	Lever Bracket - Paper Feed	1
38	C210 2177	Right Grip Cover	1

Index No.	Part No.	Description	Q'ty Per Assembly
100	0314 0060Z	Philips Pan Head Screw - M4x6	
101	0314 0080Z	Philips Screw - 4x8	
102	0434 0080Z	Tapping Screw - M4x8	
103	0595 0120E	Socket Screw - M5x12	
104	0315 0120Z	Philips Screw - 5x12	
105	0805 6009	Rubber Foot	
106	0951 5035Z	Philips Screw W/T Flat Washer-M3x35	
107	0801 1004	Screw - M4X4	
108	0324 0060Z	Philips Sunken Head Screw - M4x6	
109	0951 3006Z	Philips Screw With Flat Washer - M3	
110	1105 0209	Clamp	

4. Frame Section 2 (C222)

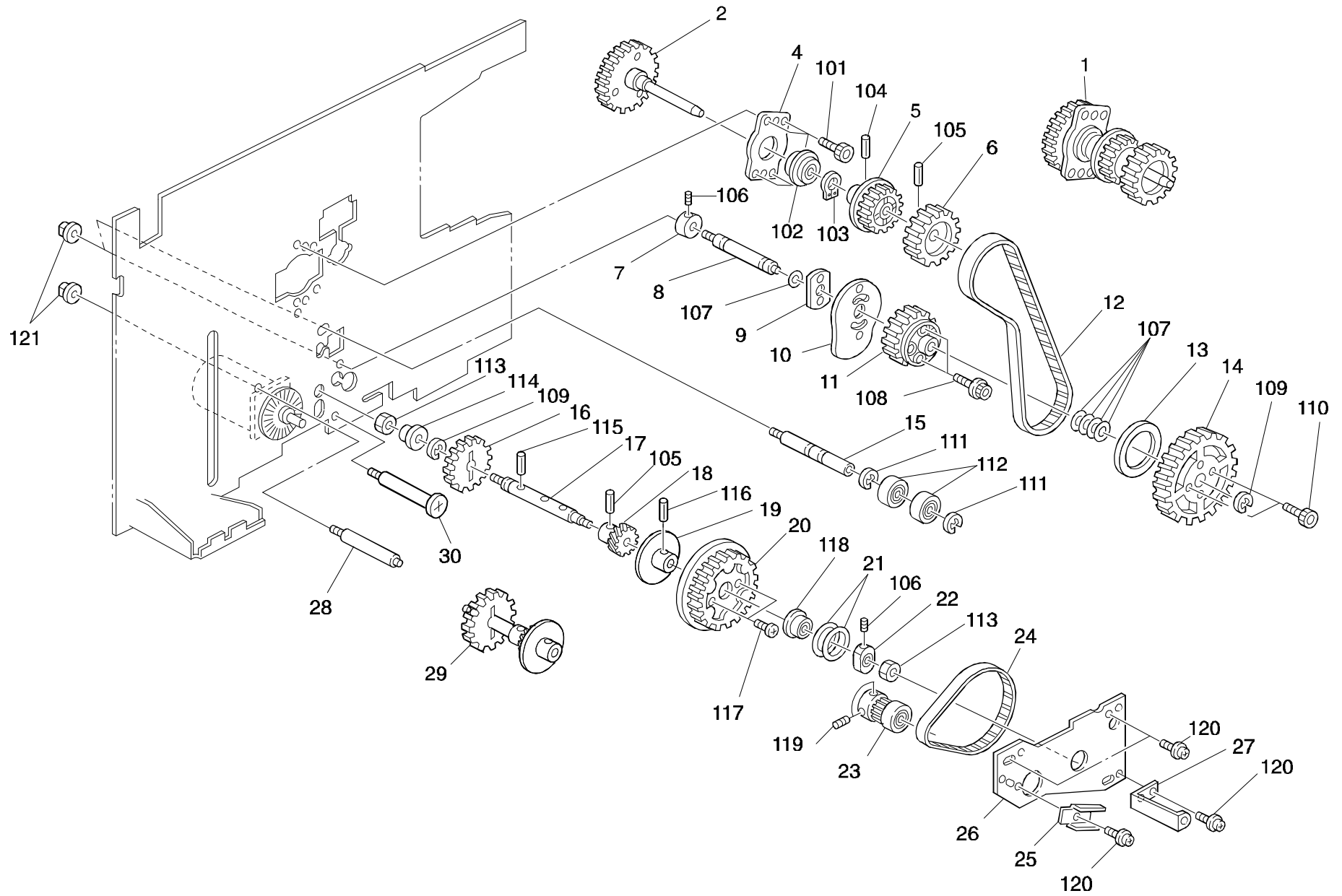


4.Frame Section 2 (C222)

Index No.	Part No.	Description	Q'ty Per Assembly
1	C219 4505	Drum Stopper Ass'y	1
2	C201 4533	Drum Stopper Spring	1
3	C201 4531	Drum Stopper Pawl	1
4	C201 4532	Drum Stopper Roller	1
5	C215 4515	Drum Lock Link	1
6	C201 4606	Stopper Releasing Plate	2
7	C219 2053	Left Fixing Plate	1
8	C218 2024	Flat Cable Cover	1
9	C218 3039	Flat Cable Clamp	2
10	C200 4520	Lock Pin - Drum	2
11	C215 4514	Drum Lock Knob	1
12	C209 8117	Drum Master Detection Sensor	1
13	C219 4518	Drum Sensor Bracket	1
14	C215 4511	Drum Lock Lever	1
15	C203 4511	Spring Plate Supporter	1
16	C203 4512	Grounding Spring Plate	1
17	C219 4501	Spring Plate	1
18	C215 4528	Plate Spring - Drum Rail	1
19	5501 4719	Rubber Ring - Stopper	1
20	C200 3716	Cushion Shaft	1
21	C219 4115	Stud - M4	2
22	C218 2039	Cushion Stopper	1
23	C203 6060	Vacuum Drive Bracket	1
24	C219 2428	Switch Plate - Paper Feed Table	1
25	5403 2048	Bushing - 4mm	1
26	C209 8295	Safety Switch Relay Harness	1
27	C209 8294	Safety Switch	1
28	AA06 3016	Pressure Spring	1
29	C222 2429	Support Cover - Paper Feed Cover	2
30	C219 2057	Right Fixing Plate	1
31	C218 2040	Cushion	1
32	C218 2042	Absorber Pin	1
33	C215 4533	Spring Plate	1
34	C215 4532	Locking Arm	1
35	C218 2043	Spacer	1

Index No.	Part No.	Description	Q'ty Per Assembly
36	C218 2044	Shock Absorber	1
37	C218 2041	Scanner Guide Plate	1
38	C218 2029	Scanner Stopper Unit	1
39	C219 2440	Lower Harness Cover	1
40	C219 2441	Upper Harness Cover	1
41	C218 8181	Transformer - 115V	1
42	C216 2018	Transformer Bracket	1
43	C218 2099	Transformer Cover	1
44	C210 2091	Harness Cover	1
45	C210 2186	Right Cover Bracket	1
46	C218 2035	Scanner Stopper Bracket	1
47	5403 2075	Stepped Screw	
100	0951 3006Z	Philips Screw With Flat Washer - M3	
102	0252 0080Z	Philips Pan Head Screw - M2x8	
103	0622 0250E	Spring Pin M2x250	
104	0434 0100Z	Pan Head Self-tapping Screw - M4x10	
105	0434 0080Z	Tapping Screw - M4x8	
106	0720 0050Z	Retaining Ring - M5	
107	0314 0080Z	Philips Screw - 4x8	
108	0314 0060Z	Philips Pan Head Screw - M4x6	
109	0313 0060Z	Philips Pan Head Screw - M3x6	
110	0801 1135	Philips Pan Head Screw - M3x3	
111	0807 3083	Washer	
112	0594 0080E	Bolt - M4x8	
113	0313 0120Z	Philips Screw - 3x12	
114	0713 0050B	Hexagon Nut - M5	
115	0801 1004	Screw - M4X4	
116	0323 0060Z	Philips Sunk Screw - M3x6	

5. Drive Section 1 (C222)

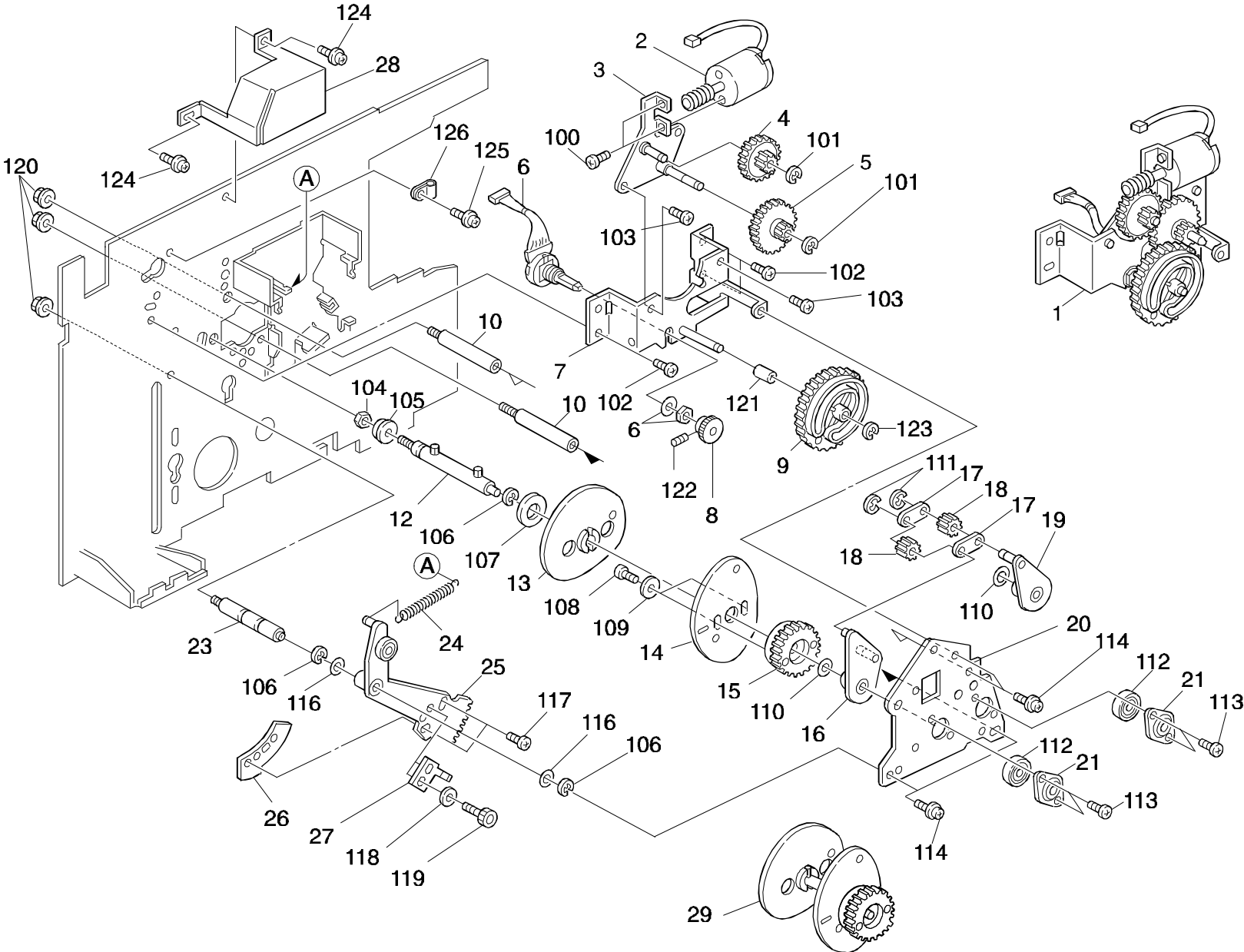


5. Drive Section 1 (C222)

Index No.	Part No.	Description	Q'ty Per Assembly
1	C213 2330	Drum Drive Pulley - Ass'y	1
2	C213 2218	Stud & Gear - 30T	1
4	C200 2248	Fixing Plate	1
5	C203 2317	Pulley - 26Z	1
6	C201 2217	Gear - 50T	1
7	C200 2221	Collar - Pressure Cam Shaft	1
8	C200 2225	Pressure Cam Shaft	1
9	C200 2224	Plate Nut - Print Pressure Cam	1
10	C213 5560	Print Pressure Cam	1
11	C203 2312	Pulley	1
12	C203 2316	Timing Belt	1
13	C203 2327	Pulley Flange	1
14	C203 2326	Gear - 90Z	1
15	C219 2315	Tension Shaft	1
16	C219 2214	Gear - 40Z	1
17	C209 2216	Driver Shaft	1
18	C203 2215	Gear - 18T	1
19	C203 2311	Gear Flange	1
20	C207 2209	Pulley - 60Z	1
21	C200 2267	Spacer	2
22	C219 2217	Collar	1
23	C207 2207	Pulley - 12Z	1
24	C207 2210	Timing Belt - 100S4.5M297	1
25	C207 2211	Bearing Stopper	1
26	C209 2309	Support Side Plate	1
27	C209 2308	Support Bracket - Rear Cover	1
28	C200 2232	Drive Shaft	1
29	C219 2210	Shaft	1
30	C219 2111	Shaft	1

Index No.	Part No.	Description	Q'ty Per Assembly
101	0594 0080E	Bolt - M4x8	
102	0805 3134	Ball Bearing - 10x26x8mm	
103	0725 0100Z	Retaining Ring - M10	
104	0804 4048	Spring Pin - 4x20	
105	0804 4046	Spring Pin - 4x16	
106	0574 0040E	Hexagon Headless Set Screw - M4x4	
107	0807 7013	Spacer - 10.2x14x0.2mm	
108	0804 6092	Hexagonal Set Screw	
109	0720 0080Z	Retaining Ring - M8	
110	0595 0120E	Socket Screw - M5x12	
111	0720 0100Z	Retaining Ring - M10	
112	0740 3010	Ball Bearing - 10x26x8mm	
113	0712 0060Z	Hexagon Nut - M6	
114	0741 3807S	Ball Bearing - 7x14x5	
115	0623 0200E	Spring Pin - 3x20mm	
116	0623 0140E	Spring Pin - 3x14mm	
117	0315 0060Z	Philips Screw - 5x6	
118	0741 3908S	Ball Bearing - 8x19x6	
119	0574 0050E	Hexagon Headless Set Screw - M4x5	
120	0960 4008Z	Flange Head Screw - 4x8	
121	0713 0050B	Hexagon Nut - M5	

6. Drive Section 2 (C222)

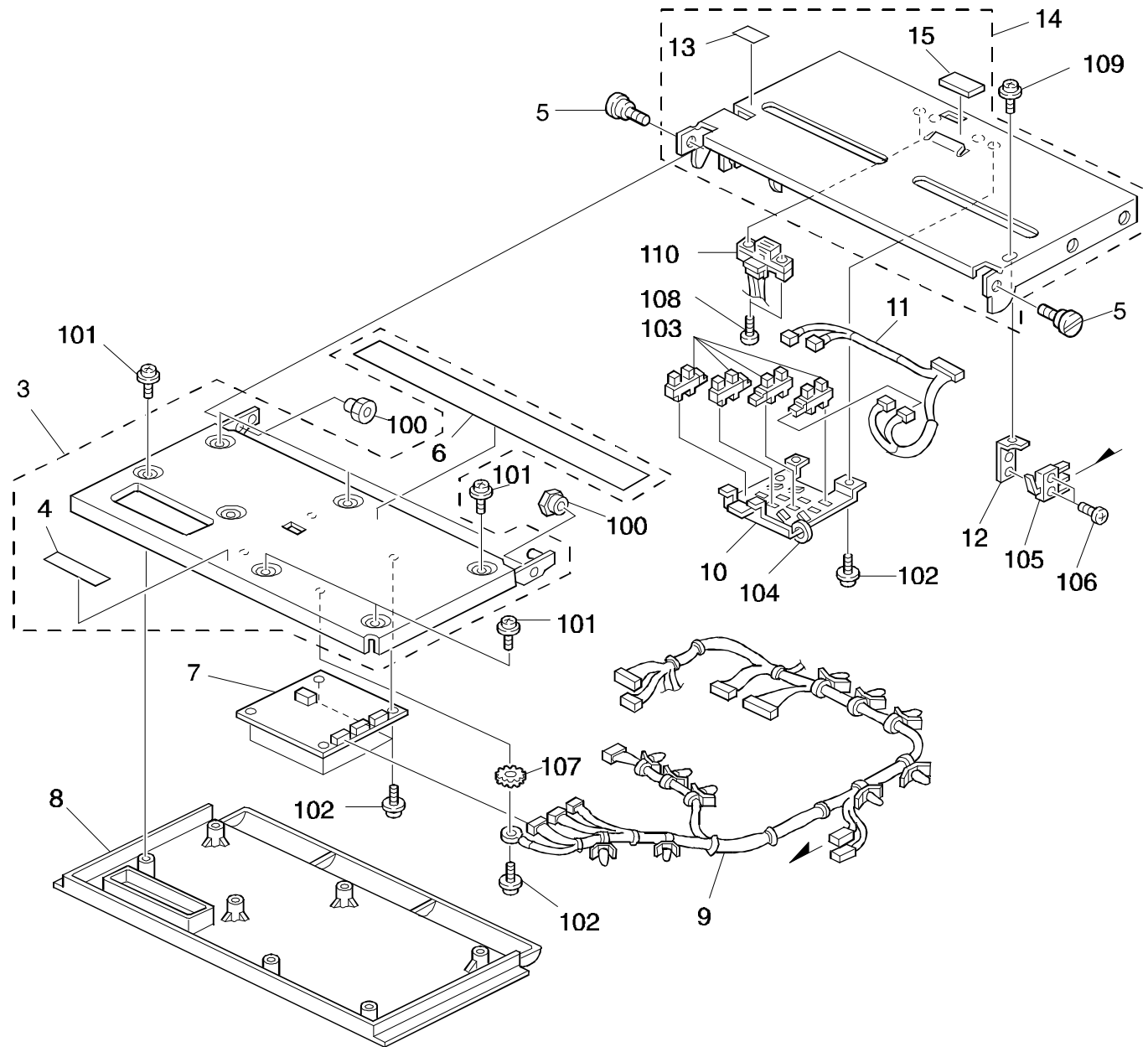


6. Drive Section 2 (C222)

Index No.	Part No.	Description	Q'ty Per Assembly
1	C219 2319	Cam Shaft	1
2	C219 8250	Lift Motor - DC 1.69W 0.2A	1
3	C209 2325	Motor Bracket	1
4	5205 2681	Coupled Gear - 17T/50T	1
5	5205 2680	Coupled Gear - 16T/53T	1
6	C209 8280	Image Position Sensor	1
7	C209 2321	Bracket - Image Shifting	1
8	C201 2221	Gear - 40T	1
9	C201 2222	Coupled Gear - 20T & 60T	1
10	C201 2211	Stud	2
12	C203 5170	Feed Cam Shaft	1
13	C213 5110	Paper Feed Cam	1
14	C213 5120	Second Feed Roller Cam	1
15	C201 2229	Gear - 50T	1
16	C200 2302	Image Shifting Arm - Large	1
17	C200 2311	Image Shifting Link	2
18	C219 2226	Gear - 22Z	2
19	C200 2308	Image Shifting Arm - Small	1
20	C209 2304	Support Side Plate	1
21	C200 2266	Bearing Holder	2
23	C219 5120	Feed Cam Shaft	1
24	C200 5222	Sector Spring	2
25	C203 5184	Sector Gear	1
26	C200 5223	Lift Cam	1
27	C219 5106	Sector Gear Stopper	1
28	C218 2047	Lift Moter Cover	1
29	C211 2211	Feed Cam Ass'y	1

Index No.	Part No.	Description	Q'ty Per Assembly
100	0313 0040B	Philips Pan Head Screw - M3x4	
101	0720 0040Z	Retaining Ring - M4	
102	0434 0080Z	Tapping Screw - M4x8	
103	0314 0080Z	Philips Screw - 4x8	
104	0712 0060Z	Hexagon Nut - M6	
105	0741 3807S	Ball Bearing - 7x14x5	
106	0720 0080Z	Retaining Ring - M8	
107	0807 7055	Holder - Main Shaft	
108	0585 0100Z	Bolt - M5x10	
109	0701 0050Z	Flat Washer - M5	
110	0807 7013	Spacer - 10.2x14x0.2mm	
111	0720 0080Z	Retaining Ring - M8	
112	0805 3104	Ball Bearing - 8x22x7mm	
113	0801 1135	Philips Pan Head Screw - M3x3	
114	0960 4008Z	Flange Head Screw - 4x8	
116	0807 7018	Washer - M10	
117	0315 0080Z	Philips Screw - 5x8	
118	0701 0040Z	Flat Washer - M4	
119	0594 0060E	Socket Screw - 4X6	
120	0713 0050B	Hexagon Nut - M5	
121	0707 6120B	Bushing - 6x12mm	
122	0573 0050E	Hexagon Headless Set Screw - M3x5	
123	0720 0050Z	Retaining Ring - M5	
124	0314 0060Z	Philips Pan Head Screw - M4x6	
125	0951 4006Z	Philips Screw With Flat Washer - M4	
126	1105 0005	Nylon Clip - 3N	

7. Paper Table Section 1 (C222)

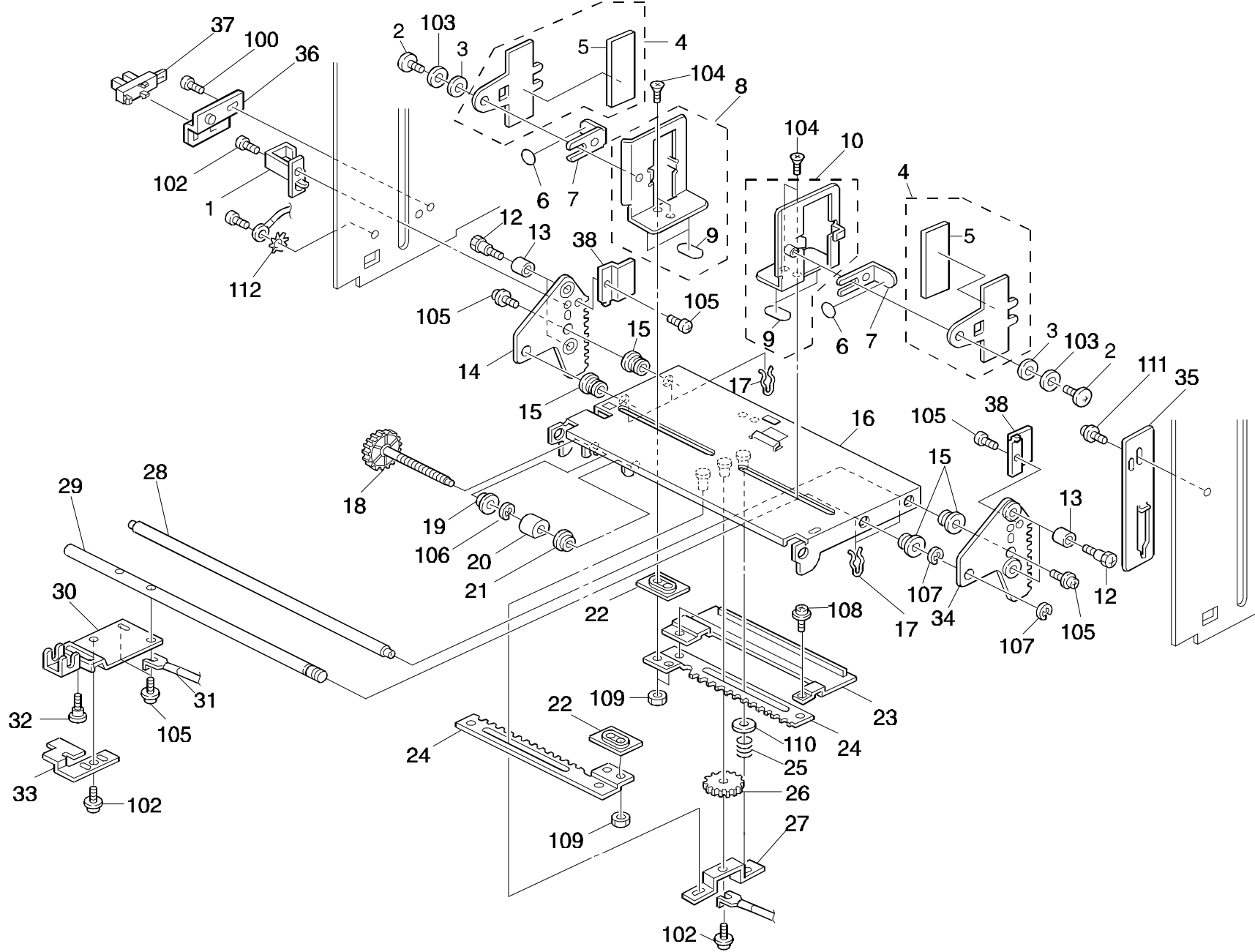


7.Paper Table Section 1 (C222)

Index No.	Part No.	Description	Q'ty Per Assembly
*	C222 1059	Paper Table Unit - LT	1
*	C222 1078	Paper Table Unit - A4	1
3	C219 5066	Paper Feed Table Ass'y - LT	1
3	C219 5067	Paper Feed Table Ass'y - A4	1
4	C200 5025	Paper Feed Plate Shield	1
5	C219 5073	Stepped Screw	2
6	C210 2805	Decal - Paper Size	1
7	C219 8021	Paper Detection Board	1
8	C218 2423	Paper Feed Table Cover	1
9	C219 8113	Harness - Paper Detection Board	1
10	C209 5055	Bracket - Paper Size	1
11	C209 8197	Paper Size Sensor Harness	1
12	C209 5047	Switch Bracket - Paper Table	1
13	C203 2453	Decal - Paper Feed Table	1
14	C219 5075	Paper Table Ass'y	1
15	5507 6828	Rubber Plate - Feed Table	1

Index No.	Part No.	Description	Q'ty Per Assembly
100	0713 0040B	Hexagon Nut - M4	
101	0965 3010W	Tapping Screw With Flat Washer-M3x1	
102	0951 3005Z	Philips Pan Head Screw - M3x5	
103	1403 0690	Sensor - TLP1215	
104	1105 0042	Wire Band	
105	1204 2239	Micro Switch	
106	0800 0084	Philips Pan Head Screw - M2.3x12	
107	0705 0040B	Toothed Washer	
108	0313 0100Z	Philips Pan Head Screw - M3x10	
109	0951 3004Z	Philips Screw With Flat Washer-M3x4	
110	1403 0456	Photosensor - EE-SB5-C3	

8. Paper Table Section 2 (C222)

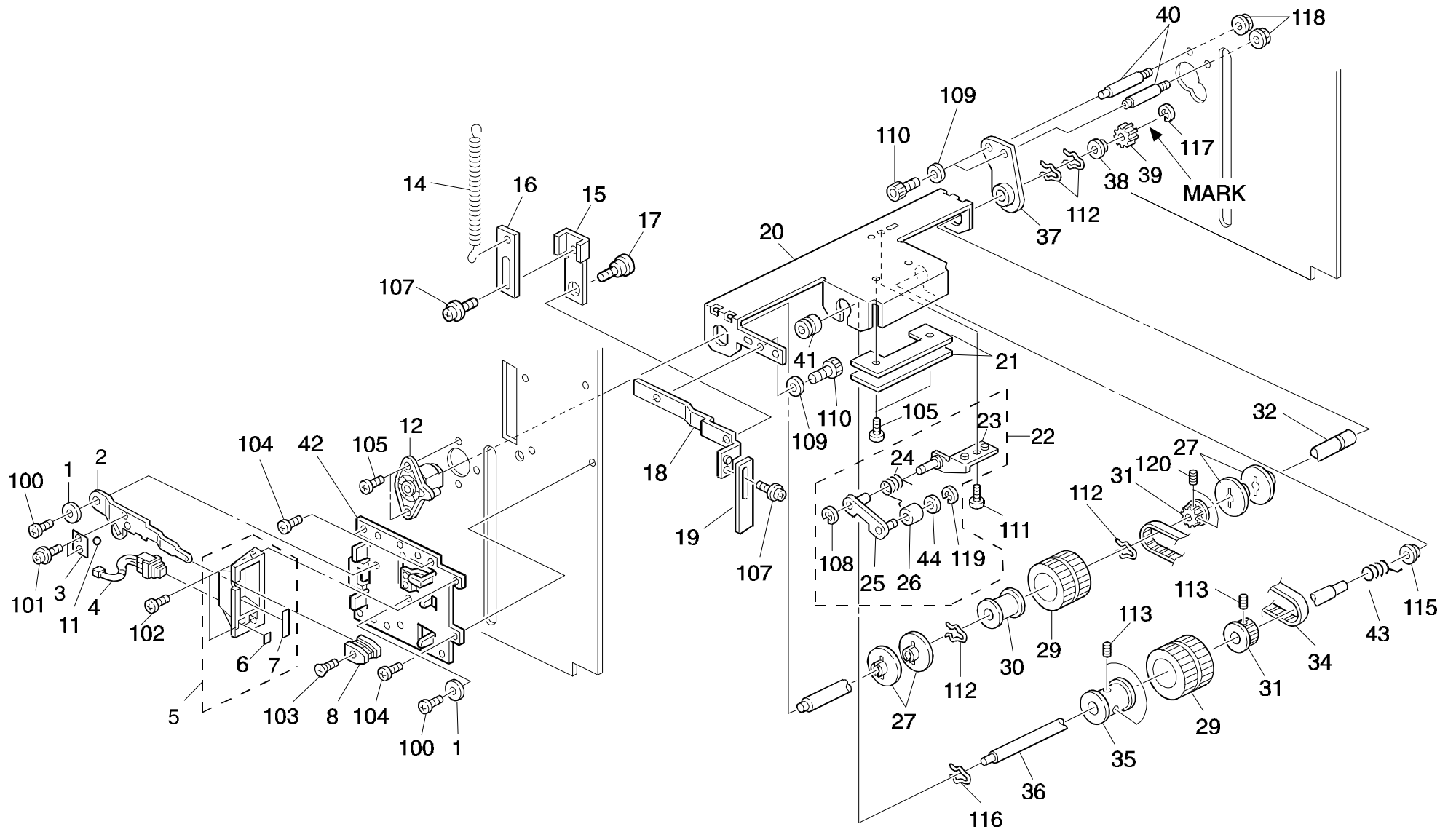


8.Paper Table Section 2 (C222)

Index No.	Part No.	Description	Q'ty Per Assembly
*	C222 1059	Paper Table Unit - LT	1
*	C222 1078	Paper Table Unit - A4	1
1	C219 5074	Actuator - Table Lower Limit Switch	1
2	5506 1536	Screw - M4X6	2
3	5070 0923	Spring Washer - Rotating Table	2
4	C209 5090	Rubber Plate - Paper Feed Guide	2
5	C200 5287	Rubber Plate - Paper Feed	2
6	C201 5015	Seal - M10	2
7	C209 5092	Rubber Plate Lever	2
8	C209 5082	Paper Feed Guide - Left Side	1
9	5506 6314	Mylar - Master Feed Table	4
10	C209 5085	Paper Feed Guide - Right Side	1
12	C203 5142	Rack Shaft	2
13	5606 2310	Roller	2
14	C203 5128	Left Rack - Paper Feed	1
15	C203 5121	Bushing - 8x12x9mm	4
16	C219 5075	Paper Table Ass'y	1
17	5600 1107	Snap Retainer - 12	2
18	C218 5054	Table Position Knob	1
19	C203 5113	Bushing - 6x9x3mm	1
20	C218 5116	Washer - 6x13x12mm	1
21	C203 5114	Bushing - 3x6x3mm	1
22	C200 5335	Side Plate Slider	2
23	C209 5058	Psper Size Plate	1
24	C209 5050	Paper Guide Rack	2
25	5505 7197	Spring - Hinge - Inking	1
26	5309 1023	Pinion Paper Feed Table	1
27	C219 5079	Supporter	1
28	C200 5042	Rear Shaft - Paper Feed	1
29	C203 5122	Front Shaft - Paper Feed	1
30	C209 5053	Arm - Paper Table	1
31	C219 8113	Harness - Paper Detection Board	1
32	C201 5125	Shoulder Screw - M4	1
33	C222 5121	Position Indicator	1
34	C203 5126	Right Rack - Paper Feed	1

Index No.	Part No.	Description	Q'ty Per Assembly
35	C209 5235	Paper Table Holder	1
36	C219 5081	Sensor Bracket	1
37	AW02 0021	Photointerruptor - 175487-3	1
38	C203 5131	Gear Cover	2
100	0314 0120Z	Philips Screw - 4x12	
102	0314 0080Z	Philips Screw - 4x8	
103	0701 0080Z	Flat Washer - M8	
104	0323 0100Z	Philips Sunken Head Screw - M3x10	
105	0951 4008Z	Philips Screw With Flat Washer M4x8	
106	0720 0040Z	Retaining Ring - M4	
107	0720 0060Z	Retaining Ring - M6	
108	0951 3006Z	Philips Screw With Flat Washer - M3	
109	0710 0030Z	Hex Nut 3	
110	0700 0060Z	Flat Washer - M6	
111	0951 3008Z	Philips Screw With Flat Washer - M3	
112	0705 0040B	Toothed Washer	

9. Paper Feed Roller And Sepalation Roller(C222)

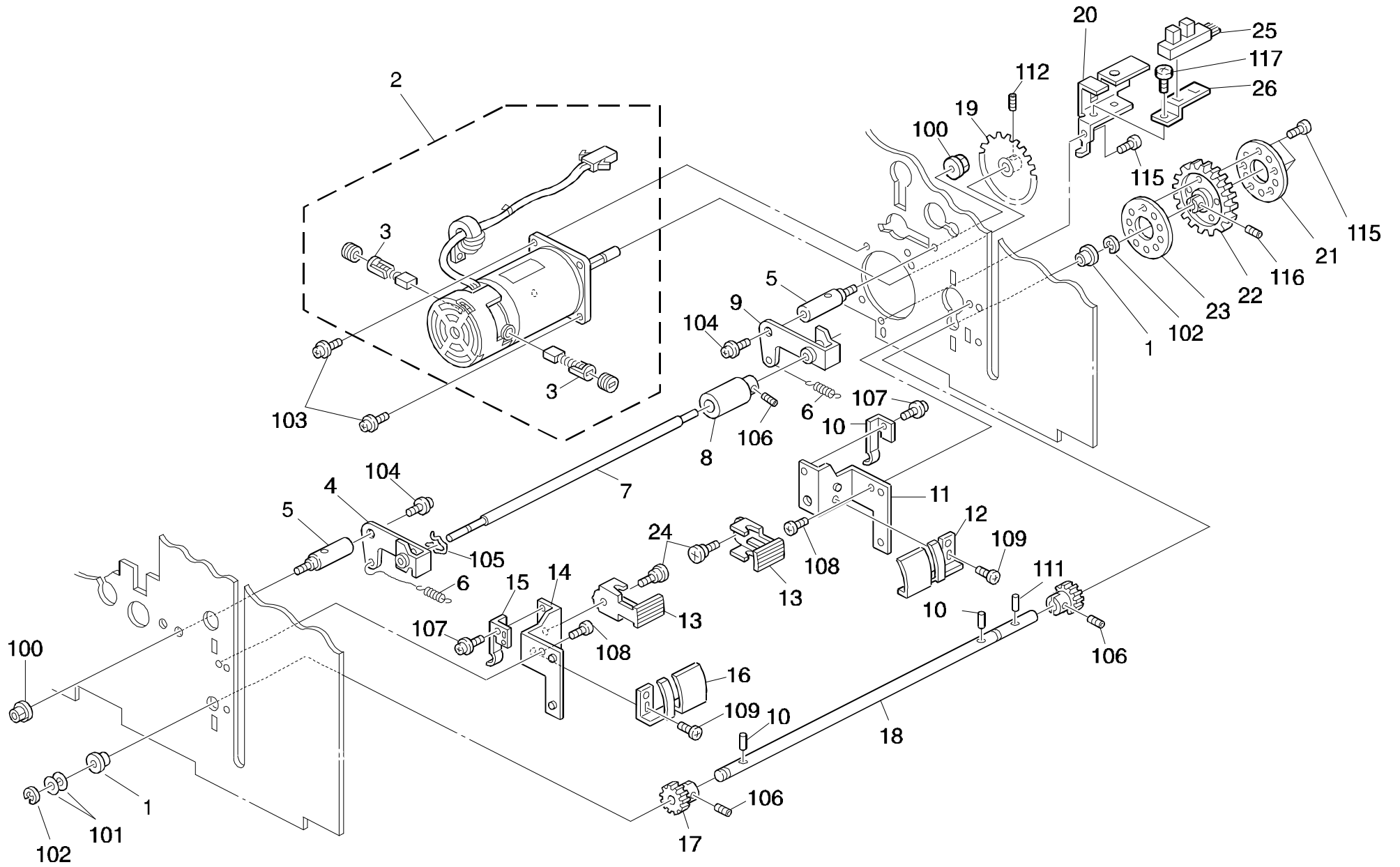


9.Paper Feed Roller And Sepalation Roller(C222)

Index No.	Part No.	Description	Q'ty Per Assembly
1	C209 5220	Spacer - 4x20x6	1
2	C219 5152	Paper Feed Lever	1
3	5501 8180	Flat Spring - Feed Roller Pressure	1
4	C209 8288	Table Down Switch	1
5	C219 2804	Lower Cover - Paper Feed - LT	1
5	C219 2833	Lower Cover - Paper Feed - A4	1
6	C218 2819	Decal - Paper Table Down (LT)	1
7	C219 2818	Decal - Paper Separator	1
8	C201 2425	Adjusting Lever	1
11	5501 8195	Steel Ball 3/16,	1
12	C203 5045	Bushing - 18x24x28mm	1
14	C219 5031	Spring - Feed Roller Pressure	1
15	C222 5158	Adjuster	1
16	C219 5157	Adjusting Plate	1
17	5403 2075	Stepped Screw	1
18	C219 5034	Arm - Feed Roller Holder	1
19	C203 5055	Actuator - Paper Feed Table	1
20	C219 5037	Feed Roller Holder	1
21	C201 5073	Arm Balancer - Feed Roller	2
22	C203 5205	Belt Tensioner Ass'y	1
23	C203 5208	Tension Bracket	1
24	C203 5215	Tension Spring	1
25	C203 5201	Tension Arm	1
26	C203 5200	Tension Roller	1
27	5606 2066	Paper Feed Guide Disc	4
29	5506 4169	Rubber Roller - Paper Feed	4
30	C219 5036	Paper Feed Roller	1
31	5507 6032	Timing Belt Pulley - 30T	2
32	C219 5025	Upper Roller Shaft	1
34	5507 6035	Timing Belt - 162XL	1
35	5507 6015	Paper Feed Roller	1
36	C203 5043	Pick-up Roller Shaft	1
37	C219 5030	Bushing	1
38	5053 0419	Bushing - 10mm	1
39	C203 5220	Gear - 18T	1

Index No.	Part No.	Description	Q'ty Per Assembly
40	C219 5029	Rear Bushing Shaft	2
41	5600 1081	Right Bushing - Paper Feed Roller	1
42	C219 2027	Lever Bracket - Paper Feed	1
43	5507 6038	Torque Limitter - Paper Feed Roller	1
44	C203 5225	Spacer - Tension - Paper Feed	1
100	0314 0120Z	Philips Screw - 4x12	
101	0951 3006Z	Philips Screw With Flat Washer - M3	
102	0801 1004	Screw - M4X4	
103	0323 0100Z	Philips Sunken Head Screw - M3x10	
104	0434 0080Z	Tapping Screw - M4x8	
105	0314 0080Z	Philips Screw - 4x8	
107	0951 3005Z	Philips Pan Head Screw - M3x5	
108	0720 0040Z	Retaining Ring - M4	
109	0701 0040Z	Flat Washer - M4	
110	0594 0080E	Bolt - M4x8	
111	0314 0060Z	Philips Pan Head Screw - M4x6	
112	0804 4055	Pin	
113	0574 0040E	Hexagon Headless Set Screw - M4x4	
115	0805 3263	Bearing - 6 X 10 X 6mm	
116	5600 1107	Snap Retainer - 12	
117	0720 0050Z	Retaining Ring - M5	
118	0713 0040B	Hexagon Nut - M4	
119	0720 0060Z	Retaining Ring - M6	
120	0574 0040E	Hexagon Headless Set Screw - M4x4	

10. Paper Sepalation Roller (C222)

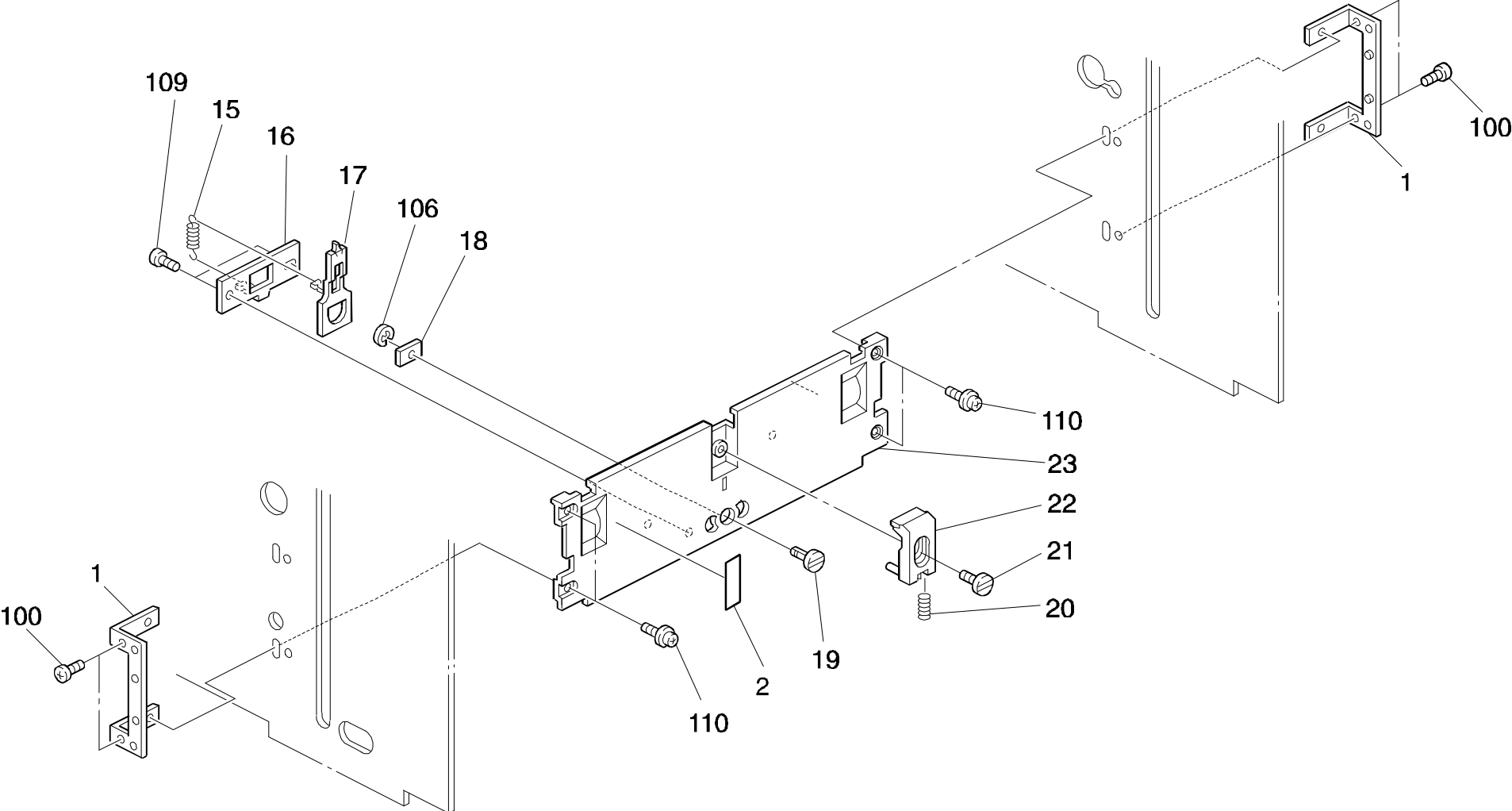


10.Paper Sepalation Roller (C222)

Index No.	Part No.	Description	Q'ty Per Assembly
1	C203 5135	Bushing - 10x14x5.9	2
2	C207 8451	Main Motor - DC80w	1
3	C203 8453	Rectification Brush	2
4	C203 5062	Left Arm - Separation	1
5	C219 5038	Separation Roller Pressuer Stud	2
6	C207 5070	Separation Roller Pressure Spring	2
7	C222 5020	Separation Roller Shaft	1
8	C222 5096	Lower Separation Roller	1
9	C203 5066	Right Arm - Separation	1
10	C209 5208	Spring Plate - Right Lever	1
11	C209 5206	Right Lever Bracket	1
12	C209 5211	Right Lever Cover	1
13	C209 5209	Separation Pressure Lever	2
14	C209 5205	Left Lever Bracket	1
15	C209 5207	Spring Plate - Left Lever	1
16	C209 5210	Left Lever Cover	1
17	C201 5051	Pinion - 24T	1
18	C203 5133	Paper Feed Table Shaft	1
19	C203 2309	Pulse Disk	1
20	C219 2205	Bracket - Drum Rotation Sensor	1
21	C201 5045	Rear Gear Support	1
22	C200 5096	Worm Wheel Gear - 18T	1
23	C201 5046	Front Gear Support	1
24	5403 2075	Stepped Screw	2
25	AW02 0021	Photointerruptor - 175487-3	1
26	C219 2306	Drum Sensor Bracket	1

Index No.	Part No.	Description	Q'ty Per Assembly
100	0713 0040B	Hexagon Nut - M4	
101	0807 7013	Spacer - 10.2x14x0.2mm	
102	0720 0080Z	Retaining Ring - M8	
103	0960 4008Z	Flange Head Screw - 4x8	
104	0951 4008Z	Philips Screw With Flat Washer M4x8	
105	0804 4061	Spring Pin - M6	
106	0574 0040E	Hexagon Headless Set Screw - M4x4	
107	0951 3005Z	Philips Pan Head Screw - M3x5	
108	0801 1004	Screw - M4X4	
109	0313 0050Z	Philips Screw - 3x5	
110	0624 0160E	Spring Pin - 4x16mm	
111	0624 0220E	Spring Pin - 4x20mm	
112	0574 0050E	Hexagon Headless Set Screw - M4x5	
115	0314 0080Z	Philips Screw - 4x8	
116	0574 0060E	Hexagon Headless Set Screw - M4x6	

11. Paper Delivery Section 1 (C222)

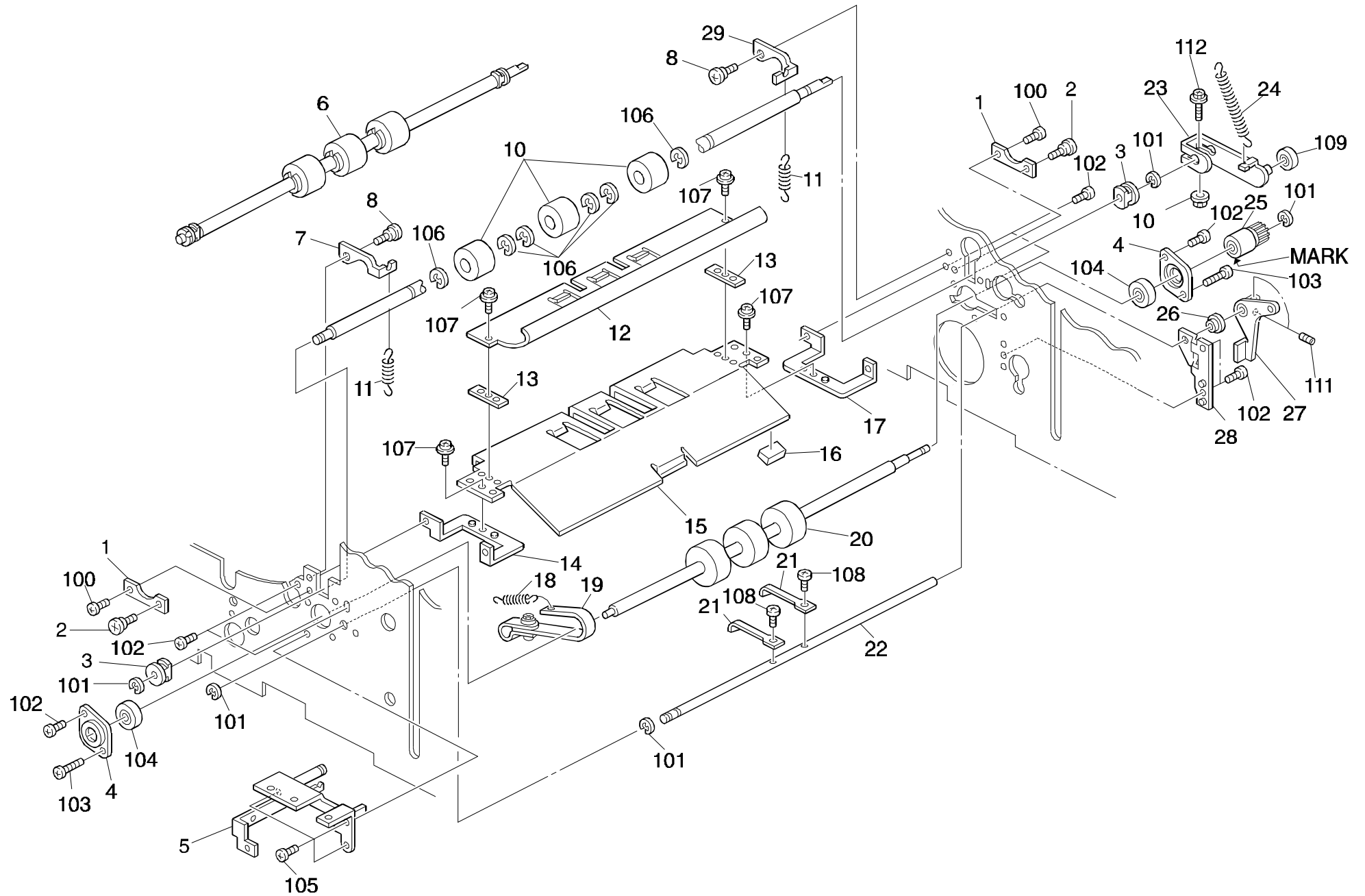


11.Paper Delivery Section 1 (C222)

Index No.	Part No.	Description	Q'ty Per Assembly
1	C201 5075	Guide Plate Bracket	2
2	C210 2791	Decal - Paper Separation	1
15	C207 5013	Pressure Spring - Paper Feed	1
16	C207 5009	Pressure Plate Holder	1
17	C207 5008	Pressure Plate	1
18	C207 5011	Adjusting Plate	1
19	C207 5010	Adjusting Screw	1
20	C207 5012	Pressure Spring	1
21	5507 6060	Guide Screw - Front Plate	1
22	C209 5018	Separation Plate	1
23	C222 5044	Paper Entrance Plate	1

Index No.	Part No.	Description	Q'ty Per Assembly
100	0434 0080Z	Tapping Screw - M4x8	
106	0720 0040Z	Retaining Ring - M4	
109	0313 0050W	Philips Pan Head Screw - M3x5	
110	0952 4008W	Philips Screw - M4x8	

12. Paper Delivery Section 2 (C222)

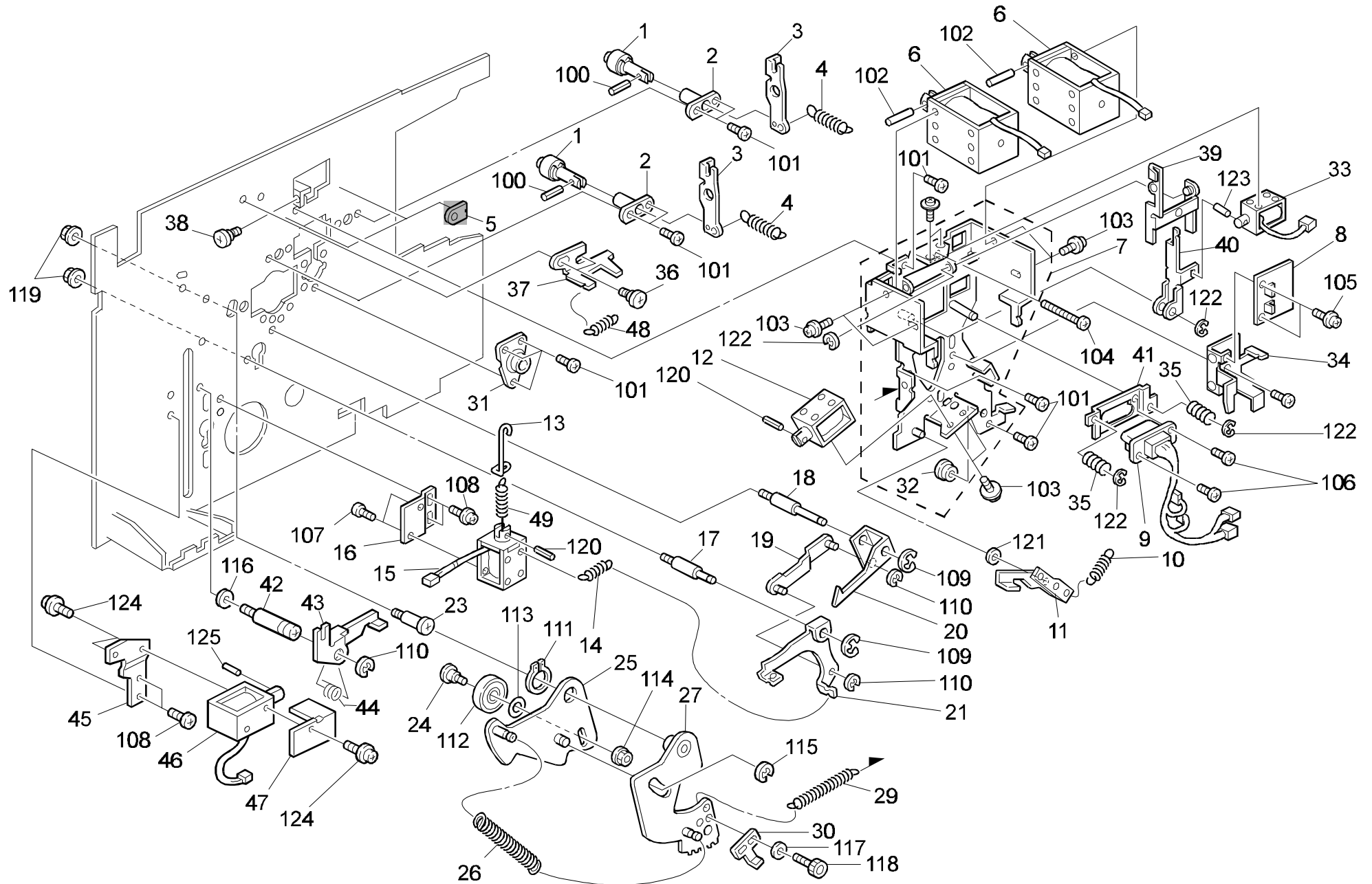


12.Paper Delivery Section 2 (C222)

Index No.	Part No.	Description	Q'ty Per Assembly
1	C200 5153	Bushing Supporter	2
2	C201 5125	Shoulder Screw - M4	2
3	C200 5150	Bushing - 7x18x9mm	2
4	C201 5134	Bearing Holder	2
5	C219 2034	Sensor Bracket	1
6	C219 5006	Upper Feed Roller	1
7	C200 5154	Left Spring Arm	1
8	C201 5125	Shoulder Screw - M4	2
10	C219 5008	Upper Feed Roller	3
11	C219 5018	Spring - Press Roller	2
12	C219 5003	Upper Guide Plate	1
13	C207 5125	Guide Plate Spacer	2
14	C200 5137	Left Bracket - Guide Plate	1
15	C219 5002	Lower Paper Guide Plate	1
16	C222 5216	Rubber Plate - Guide Plate	1
17	C200 5138	Right Bracket - Guide Plate	1
18	5501 1132	Spring - Master Pulling	1
19	C203 5198	Feed Roller Brake Ass'y	1
20	C219 5005	Lower Feed Roller	1
21	C200 5504	Paper Detecting Pin	2
22	C200 5503	Paper Detecting Shaft	1
23	C201 5142	Lift Arm - Feed Roller	1
24	C201 5145	Lift Arm Spring	1
25	C209 5200	Gear - 14Z	1
26	5600 1080	Bush - Paper Feed Roller - Left	1
27	C209 5515	Paper Detecting Arm	1
28	C201 5505	Height Sensor Bracket	1
29	C200 5155	Right Spring Arm	1

Index No.	Part No.	Description	Q'ty Per Assembly
100	0801 1004	Screw - M4X4	
101	0720 0050Z	Retaining Ring - M5	
102	0314 0080Z	Philips Screw - 4x8	
103	0314 0200Z	Philips Screw - 4x20	
104	0740 3010	Ball Bearing - 10x26x8mm	
105	0434 0080Z	Tapping Screw - M4x8	
106	0805 0084	Retaining Ring	
107	0951 4006Z	Philips Screw With Flat Washer - M4	
108	0313 0050Z	Philips Screw - 3x5	
109	0740 3808	Ball Bearing - 8x16x5mm	
110	0713 0040B	Hexagon Nut - M4	
111	0573 0050E	Hexagon Headless Set Screw - M3x5	
112	0804 6091	Hexagonal Set Screw - M2x5	

13. Paper Delivery Section 3 (C222)



13.Paper Delivery Section 3 (C222)

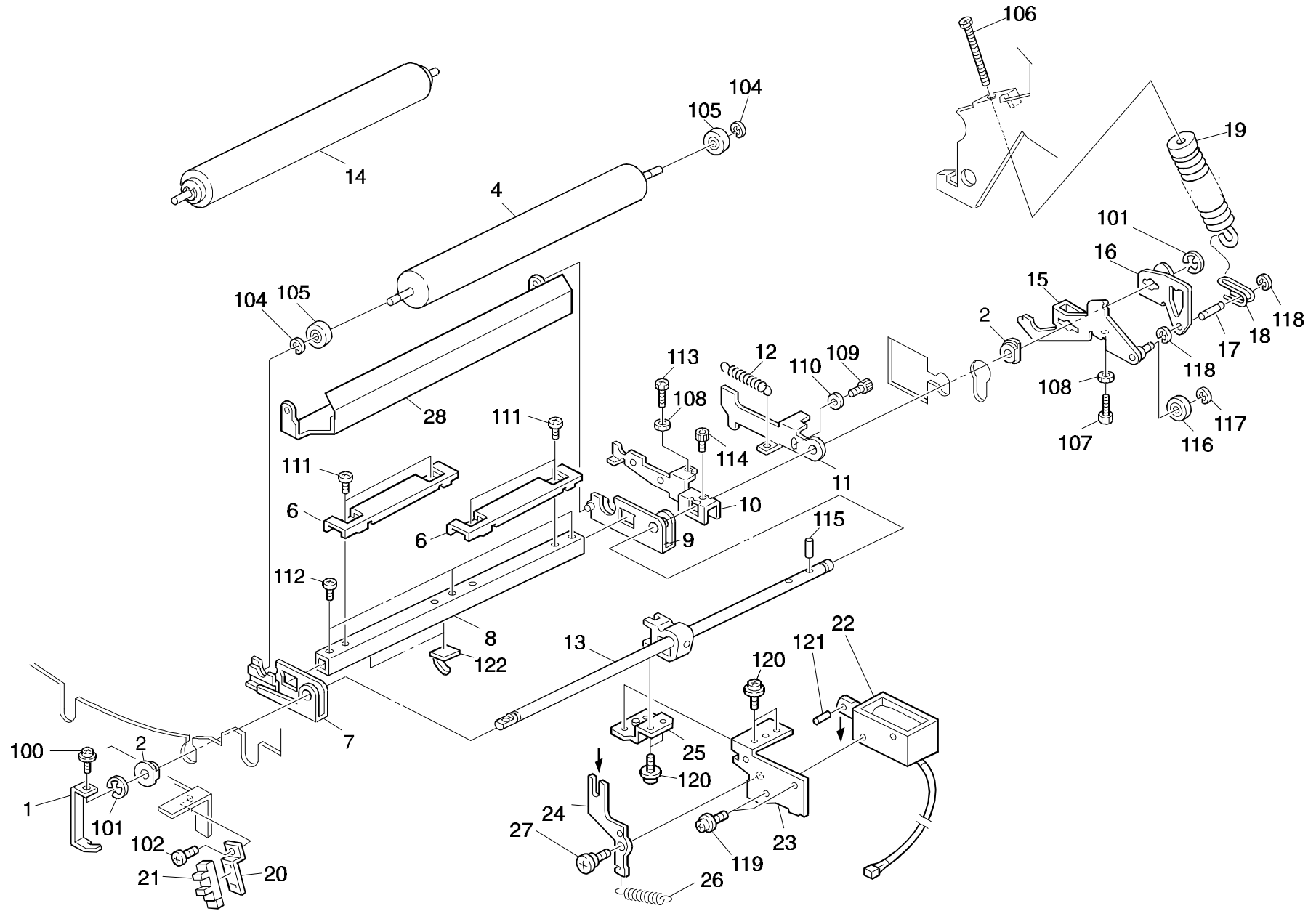
Index No.	Part No.	Description	Q'ty Per Assembly
1	C203 4515	Drum Clamper Roller	2
2	C200 4551	Slide Guide	2
3	C219 4554	Solenoid Lever	2
4	C200 4561	Clamper Spring	2
5	C219 4555	Rubber Seal - 8x14x2	2
6	C209 8224	Drum Clamper Solenoid	2
7	C215 2080	Soleroid Bracket	1
8	C215 8116	Ink Detecting Board	1
9	C219 8119	Drum Relay Harness	1
10	5501 7559	Spring - Master Feed	1
11	C200 5565	Print Pressure Stopper	1
12	C219 8262	Release Solenoid	1
13	C200 5226	Link - Paper Feed Solenoid	1
14	C200 5235	Paper Feed Solenoid Spring	1
15	C209 8262	Release Solenoid	1
16	C200 5225	Bracket - Paper Feed Solenoid	1
17	C219 2073	Stopper Stud - Paper Feed	1
18	C219 2075	Feed Gear Stopper Shaft	1
19	C201 5101	Link	1
20	C219 5109	Feed Sector Stopper	1
21	C219 5108	Sector Stopper - Feed Roller	1
23	C219 5127	Sector Gear Shaft	1
24	C203 5194	Shoulder Screw - M4	1
25	C219 5122	Paper Feed Sector Cam	1
26	C200 5205	Paper Feed Spring	1
27	C219 5101	Sector Gear	1
29	C200 5222	Sector Spring	1
30	C219 5105	Sector Gear Stopper	1
31	C209 4516	Slide Guide - Drive Shaft	1
32	C203 2083	Exit Pawl Bushing	1
33	C222 8234	Paper Release Solenoid	1
34	C215 4536	Ink Detecting Board Bracket	1
35	C215 4539	Connector Spring	2
36	C201 5125	Shoulder Screw - M4	2
37	C215 4538	Slide Lock Arm	1

Index No.	Part No.	Description	Q'ty Per Assembly
38	5403 2075	Stepped Screw	1
39	C215 4517	Connector Lock Arm	1
40	C215 4537	Connector Lock Lever	1
41	C215 4535	Connector Bracket	1
42	C222 5519	Release Lever Shaft	1
43	C222 5518	Paper Release Lever	1
44	C222 5512	Tension Spring	1
45	C222 5520	Solenoid Bracket	1
46	C222 8234	Paper Release Solenoid	1
47	C222 5525	Solenoid Cover	1
48	C201 5080	Separation Roller Pressure Spring	1
49	C219 5107	Spring	1

Index No.	Part No.	Description	Q'ty Per Assembly
100	0622 0060E	Spring Pin - 2x6mm	
101	0434 0080Z	Tapping Screw - M4x8	
102	0623 0120E	Spring Pin - M3x12	
103	0804 6101	Hexagon Bolt - M3	
104	0314 0200Z	Philips Screw - 4x20	
105	0951 3006Z	Philips Screw With Flat Washer - M3	
106	0314 0100Z	Philips Screw - 4x10	
107	0313 0040Z	Philips Pan Head Screw - M3x4	
108	0951 4006Z	Philips Screw With Flat Washer - M4	
109	0720 0080Z	Retaining Ring - M8	
110	0720 0040Z	Retaining Ring - M4	
111	0725 0160E	Retaining Ring C - M16	
112	0740 3007	Ball Bearing - 7x19x6mm	
113	0807 5004	Washer	
114	0713 0040B	Hexagon Nut - M4	
115	0720 0060Z	Retaining Ring - M6	
116	0807 7018	Washer - M10	
117	0701 0040Z	Flat Washer - M4	
118	0594 0060E	Socket Screw - 4X6	
119	0713 0050B	Hexagon Nut - M5	
120	0623 0100E	Spring Pin - 3x10mm	
121	0700 0060G	Flat Washer - M6	
122	0720 0050Z	Retaining Ring - M5	
123	0623 0140E	Spring Pin - 3x14mm	
124	0951 3004Z	Philips Screw With Flat Washer-M3x4	
125	0623 0080E	Spring Pin - 3x8mm	

Index No.	Part No.	Description	Q'ty Per Assembly

14. Paper Delivery Section 4 (C222)

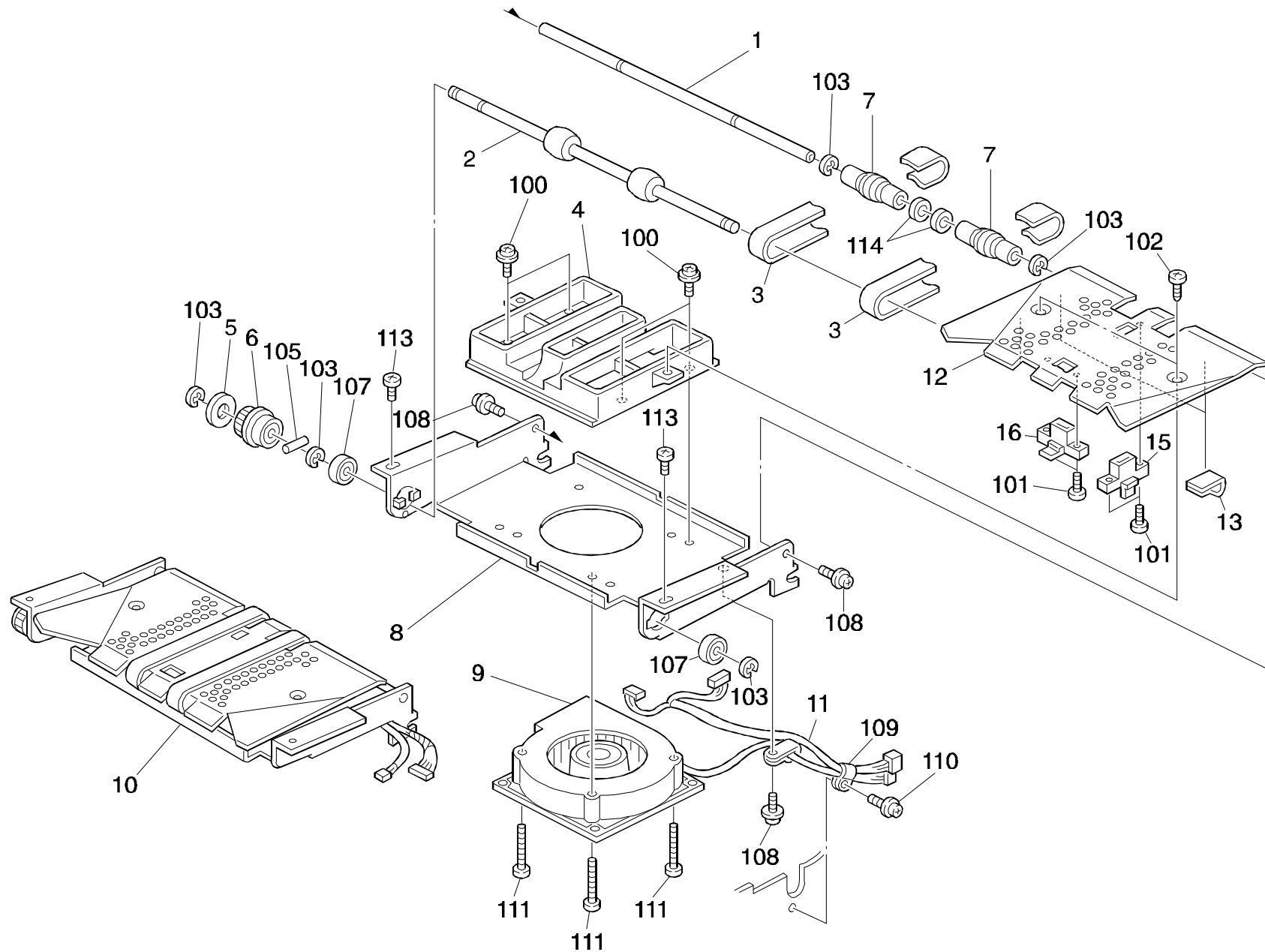


14.Paper Delivery Section 4 (C222)

Index No.	Part No.	Description	Q'ty Per Assembly
1	C203 5507	Shielding Plate	1
2	C200 5526	Print Pressure Bushing	2
4	C201 5555	Press Roller	1
6	C222 5560	Rear Guide Plate	2
7	C222 5547	Left Arm - Print Pressure	1
8	C201 5550	Printing Pressure Stay	1
9	C222 5548	Right Arm - Print Pressure	1
10	C200 6002	Adjusting Arm	1
11	C203 6004	Pawl Cam	1
12	5607 2814	Roller Spring	1
13	C222 5603	Print Pressure Shaft	1
14	C203 5509	Press Roller Ass'y	1
15	C200 5566	Pressure On/Off Lever	1
16	C200 5541	Print Pressure Arm	1
17	C209 5521	Joint Shaft	1
18	C209 5543	Press Roller Spring Link	1
19	5607 3261	Print Pressure Spring	1
20	C219 2306	Drum Sensor Bracket	1
21	AW02 0021	Photointerruptor - 175487-3	1
22	C222 8236	Press Roller Solenoid	1
23	C222 5255	Solenoid Bracket	1
24	C222 5260	Solenoid Link Lever	1
25	C222 5254	Solenoid Support Bracket	1
26	C222 5275	Tension Spring	1
27	AA14 3062	Shoulder Screw - M4	1
28	C222 5262	Pressure Roller Holder	1

Index No.	Part No.	Description	Q'ty Per Assembly
100	0951 4008Z	Philips Screw With Flat Washer M4x8	
101	0720 0120Z	Retaining Ring - M12	
102	0314 0100Z	Philips Screw - 4x10	
104	0720 0060Z	Retaining Ring - M6	
105	0740 3007	Ball Bearing - 7x19x6mm	
106	0586 0451Z	Hexagon Bolt - M6x45	
107	0584 0121Z	Hexagon Bolt - M4x12	
108	0710 0040Z	Hex Nut 4	
109	0594 0060E	Socket Screw - 4X6	
110	0701 0040Z	Flat Washer - M4	
111	0433 0080Z	Tapping Screw - M3x8	
112	0313 0060Z	Philips Pan Head Screw - M3x6	
113	0584 0121Z	Hexagon Bolt - M4x12	
114	0595 0140E	Hexagon Bolt - M5x14	
115	0804 4060	Spring Pin - M4x22	
116	0740 3206	Ball Bearing - 6x19x6	
117	0720 0040Z	Retaining Ring - M4	
118	0720 0030Z	Retaining Ring - M3	
119	0951 3004Z	Philips Screw With Flat Washer-M3x4	
120	0960 3006Z	Philips Flange Screw - M3x6	
121	0623 0100E	Spring Pin - 3x10mm	
122	1105 0021	Cord Clamper	

15. Delivery Table (C222)

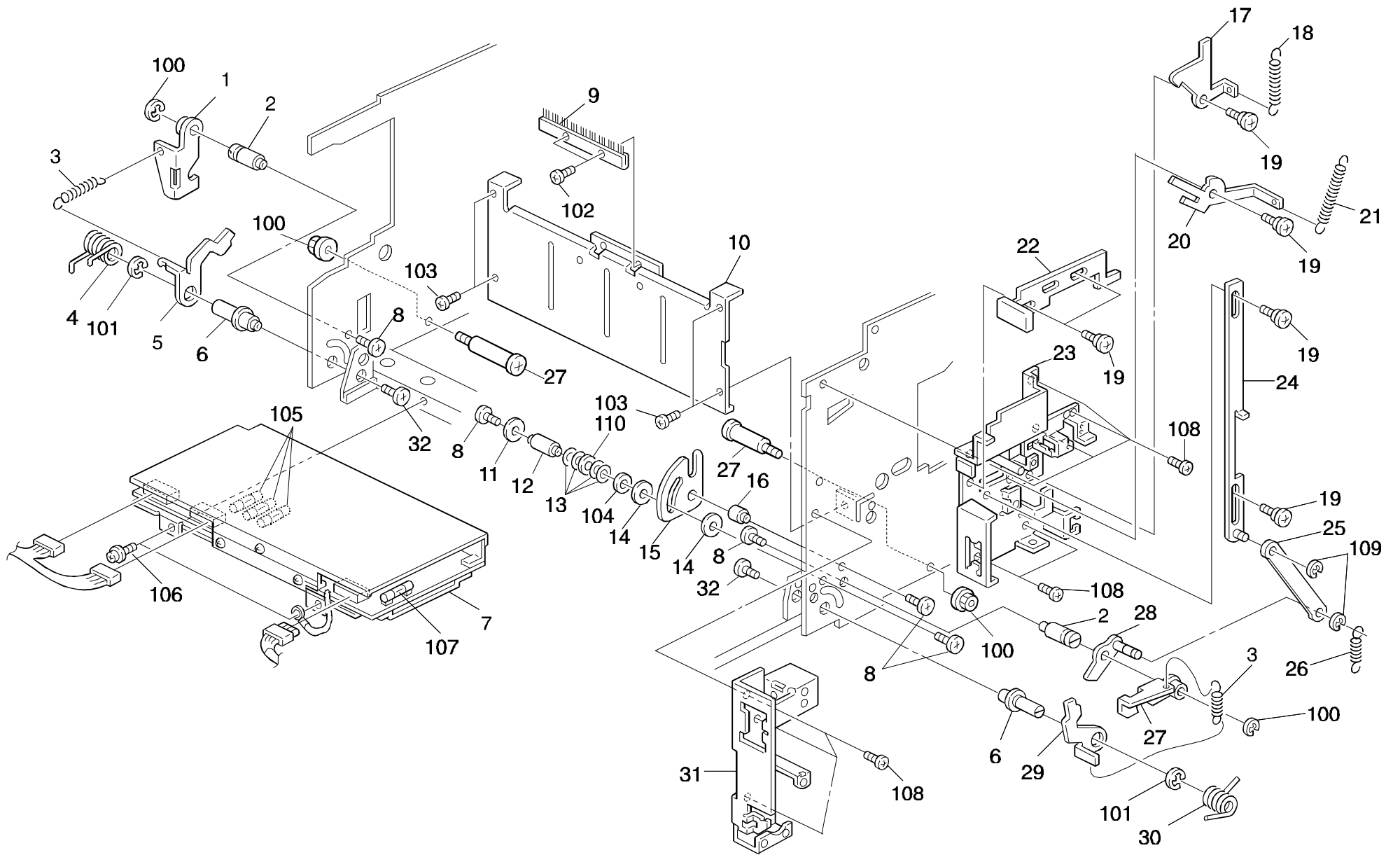


15.Delivery Table (C222)

Index No.	Part No.	Description	Q'ty Per Assembly
1	C219 6019	Driven Shaft	1
2	C219 6009	Drive Roller - Transport Belt	1
3	C219 6016	Transport Belt	2
4	C219 6017	Vaccum Duct	1
5	C203 6065	Pulley Flange	1
6	C219 6080	Adjusting Lever Shaft	1
7	C219 6008	Driven Roller - Transport Belt	2
8	C219 6002	Vacuum Base Plate	1
9	C219 8204	Vacuum Fan Motor - DC24V 0.3A	1
10	C219 1027	Delivery Table Unit	1
11	C219 8107	Exit Harness	1
12	C219 6005	Vaccum Plate	1
13	C218 2034	Clamp	1
15	1403 0456	Photosensor - EE-SB5-C3	1
16	1403 0691	Photo Sensor	1

Index No.	Part No.	Description	Q'ty Per Assembly
100	0951 4008Z	Philips Screw With Flat Washer M4x8	
101	0313 0100Z	Philips Pan Head Screw - M3x10	
102	0434 0082Z	Tapping Screw - M4x8	
103	0720 0080Z	Retaining Ring - M8	
105	0623 0160E	Spring Pin - 3x16mm	
107	0740 3010	Ball Bearing - 10x26x8mm	
108	0951 4008Z	Philips Screw With Flat Washer M4x8	
109	1105 0010	Nylon Clip - 6N	
110	0960 4008Z	Flange Head Screw - 4x8	
111	0595 0120E	Socket Screw - M5x12	
113	0314 0080Z	Philips Screw - 4x8	
114	0807 7013	Spacer - 10.2x14x0.2mm	

16. Paper Exit Section 1 (C222)

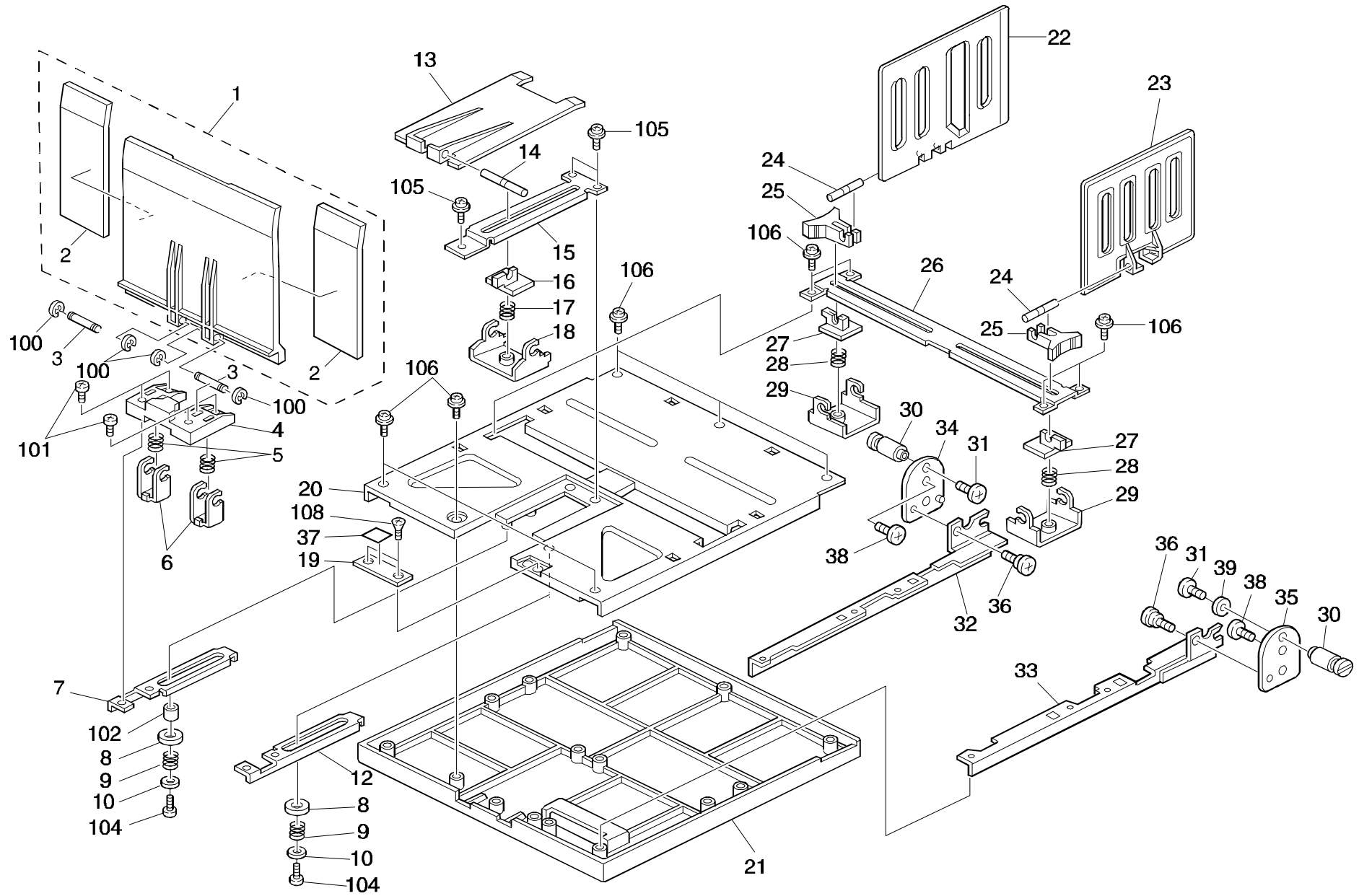


16.Paper Exit Section 1 (C222)

Index No.	Part No.	Description	Q'ty Per Assembly
1	C209 6110	Right Exit Cam	1
2	C209 6104	Exit Cam Shaft	2
3	C209 6114	Tension Spring	2
4	C209 6116	Right Adjusting Lever Spring	1
5	C209 6113	Right Adjusting Lever	1
6	C221 6118	Adjusting Lever Shaft	2
7	C222 8301	Power Supply Unit	1
8	5506 6197	Screw - Knife Cam - Leading Edge Cl	5
9	C219 6084	Antistatic Brush	1
10	C219 6081	Exit Side Plate	1
11	C209 6179	Spacer - 4x18x2	1
12	C209 6177	Stud - M4x11	1
13	C209 6180	Spring Washer - M8	4
14	C209 6178	Spacer 8x20x2	2
15	C209 6176	Delivery Table Angle	1
16	C209 6175	Stud - M4	1
17	C200 3953	Middle Lever	1
18	C200 3956	Middle Lever Spring	1
19	C219 3950	Stepped Screw	6
20	C200 3954	Lower Lever	1
21	C200 3957	Lower Lever Spring	1
22	C218 2160	Upper Lever	1
23	C218 2164	2nd Left Side Plate	1
24	C209 6188	Sensor Actuator - Delivery Table	1
25	C209 6196	Actuator Link - Delivery Table	1
26	5501 7559	Spring - Master Feed	1
27	C209 6107	Left Exit Cam	1
28	C209 6193	Lock Arm - Delivery Table Sensor	1
29	C209 6112	Left Adjusting Lever	1
30	C209 6115	Left Adjusting Lever Spring	1
31	C219 2109	Key Counter Bracket	1
32	5603 1045	Screw - M5	2

Index No.	Part No.	Description	Q'ty Per Assembly
100	0720 0060Z	Retaining Ring - M6	
101	0720 0100Z	Retaining Ring - M10	
102	0313 0040Z	Philips Pan Head Screw - M3x4	
103	0801 1004	Screw - M4X4	
104	0701 0080Z	Flat Washer - M8	
105	1107 0415	Fuse 5A	
106	0951 3008Z	Philips Screw With Flat Washer - M3	
107	1107 0354	Fuse - 3.15A 125V	
108	0434 0080Z	Tapping Screw - M4x8	
109	0720 0040Z	Retaining Ring - M4	
110	0807 5013	Flat Washer - M8.4	

17. Paper Exit Section 2 (C222)

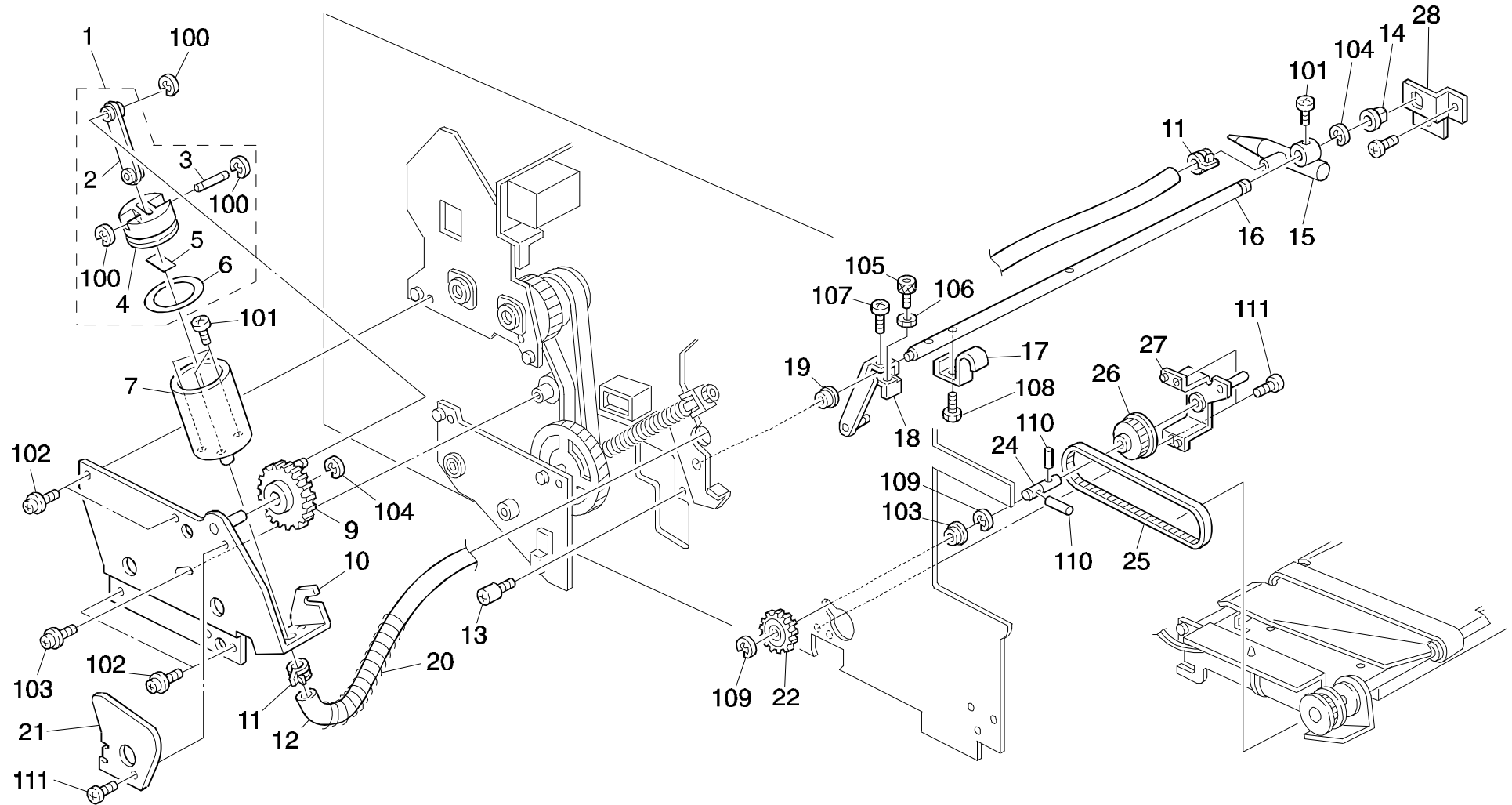


17.Paper Exit Section 2 (C222)

Index No.	Part No.	Description	Q'ty Per Assembly
*	C222 6101	Delivery Table Unit (LT)	1
*	C222 6265	Delivery Table Unit (A4)	1
1	C209 6184	End Fence	1
2	C209 6156	Sponge Seal - 4.5x65x175	2
3	C209 6157	End Fence Shaft	2
4	C209 6160	End Fence Base	1
5	C209 6159	End Fence Spring - Large	2
6	C209 6158	End Fence Bracket	2
7	C210 6255	Right Rail - End Fence (LT)	1
7	C209 6162	Right Rail - End Fence (A4)	1
8	C209 6163	Spacer - 10x18x1	2
9	C209 6164	Rail Spring - End Fence	2
10	C209 6168	End Fence Washer	2
12	C210 6254	Left Rail - End Fence (LT)	1
12	C209 6161	Left Rail - End Fence (A4)	1
13	C209 6183	Small End Fence	1
14	C209 6144	Guide Fence Shaft	1
15	C209 6151	End Fence Support Rail	1
16	C209 6142	Guide Fence Slider	1
17	C209 6150	End Fence Spring	1
18	C209 6153	Bracket - Support End Fence	1
19	C209 6136	Magnet Plate	1
20	C210 6253	Delivery Table	1
21	C218 6119	Delivery Table Cover	1
22	C209 6181	Front Guide Plate	1
23	C209 6182	Rear Guide Fence	1
24	C209 6144	Guide Fence Shaft	2
25	C209 6143	Guide Fence Knob	2
26	C209 6141	Guide Fence Rail	1
27	C209 6142	Guide Fence Slider	1
28	C209 6149	Guide Fence Spring	2
29	C209 6145	Guide Fence Bracket	2
30	C209 6126	Stud - M4	2
31	5506 6197	Screw - Knife Cam - Leading Edge Cl	2
32	C221 6131	Right Stay - Delivery Table	1

Index No.	Part No.	Description	Q'ty Per Assembly
33	C221 6130	Left Stay - Delivery Table	1
34	C221 6128	Support Plate - Right Stay	1
35	C221 6127	Support Plate - Left Stay	1
36	5607 3927	Stepped Screw - M3x8	2
37	C209 6137	Magnet Catch Cover	1
38	5603 1045	Screw - M5	2
39	C209 6163	Spacer - 10x18x1	1
100	0720 0030Z	Retaining Ring - M3	
101	0343 0060W	Philips Pan Head Screw - M3x6	
102	0707 8105B	Bushing - M8x10.5	
104	0313 0060Z	Philips Pan Head Screw - M3x6	
105	0965 3012W	Tapping Screw With Flat Washer - M3	
106	0965 3012W	Tapping Screw With Flat Washer - M3	
108	0802 5097	Tapping Screw - M3x10	

18. Paper Exit Section 3 (C222)

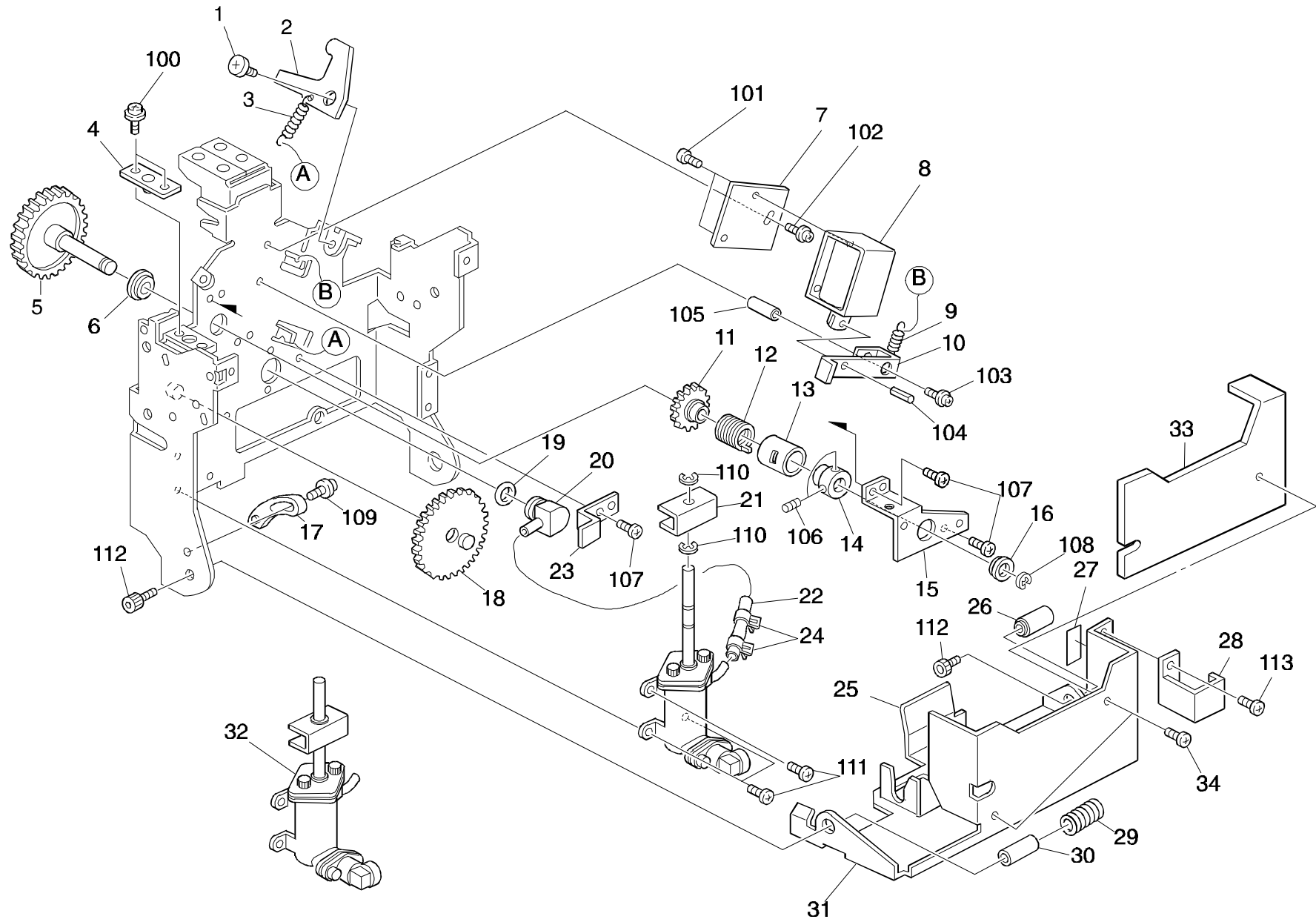


18.Paper Exit Section 3 (C222)

Index No.	Part No.	Description	Q'ty Per Assembly
1	C213 6037	Air Piston Ass'y	1
2	C213 6038	Piston Link	1
3	C209 6213	Piston Pin - Air Pump	1
4	C213 6040	Piston	1
5	C213 6042	Piston Valve	1
6	C213 6041	Oring - 33.7	1
7	C213 6043	Air Pamp Cylinder	1
9	C219 6033	Gear - 50Z	1
10	C219 6030	Reinforcement Plate	1
11	C209 4711	Hose Band	2
12	C219 6219	Air Hose	1
13	5506 6073	Stopper - Holder - Master Hold/down	1
14	5053 0223	Bushing - 8mm	1
15	C219 6050	Exit Pawl	1
16	C219 6003	Exit Pawl Shaft	1
17	C209 6225	Hose Clamp	1
18	C200 6004	Exit Pawl Lever	1
19	C203 2083	Exit Pawl Bushing	1
20	AA06 3014	Spring - Supply Tube	1
21	C219 6040	Gear Cover	1
22	C200 6058	Gear - 28T	1
24	C219 6064	Idol Shaft	1
25	C209 6067	Timing Belt - 220XL025G	1
26	C200 6059	Pulley - 25T	1
27	C203 6060	Vacuum Drive Bracket	1
28	C209 6223	Exit Pawl Bracket	1

Index No.	Part No.	Description	Q'ty Per Assembly
100	0720 0030Z	Retaining Ring - M3	
101	0313 0060Z	Philips Pan Head Screw - M3x6	
102	0960 4008Z	Flange Head Screw - 4x8	
103	0960 5008Z	Philips Flange Screw - M5x8	
104	0720 0060Z	Retaining Ring - M6	
105	0584 0121Z	Hexagon Bolt - M4x12	
106	0710 0040Z	Hex Nut 4	
107	0584 0121Z	Hexagon Bolt - M4x12	
108	0804 6101	Hexagon Bolt - M3	
109	0720 0080Z	Retaining Ring - M8	
110	0623 0180E	Spring Pin - 3x18mm	
111	0314 0060Z	Philips Pan Head Screw - M4x6	
113	0805 3452	Ball Bearing - 10x22x6mm	

19. Drum Section 1 (C222)

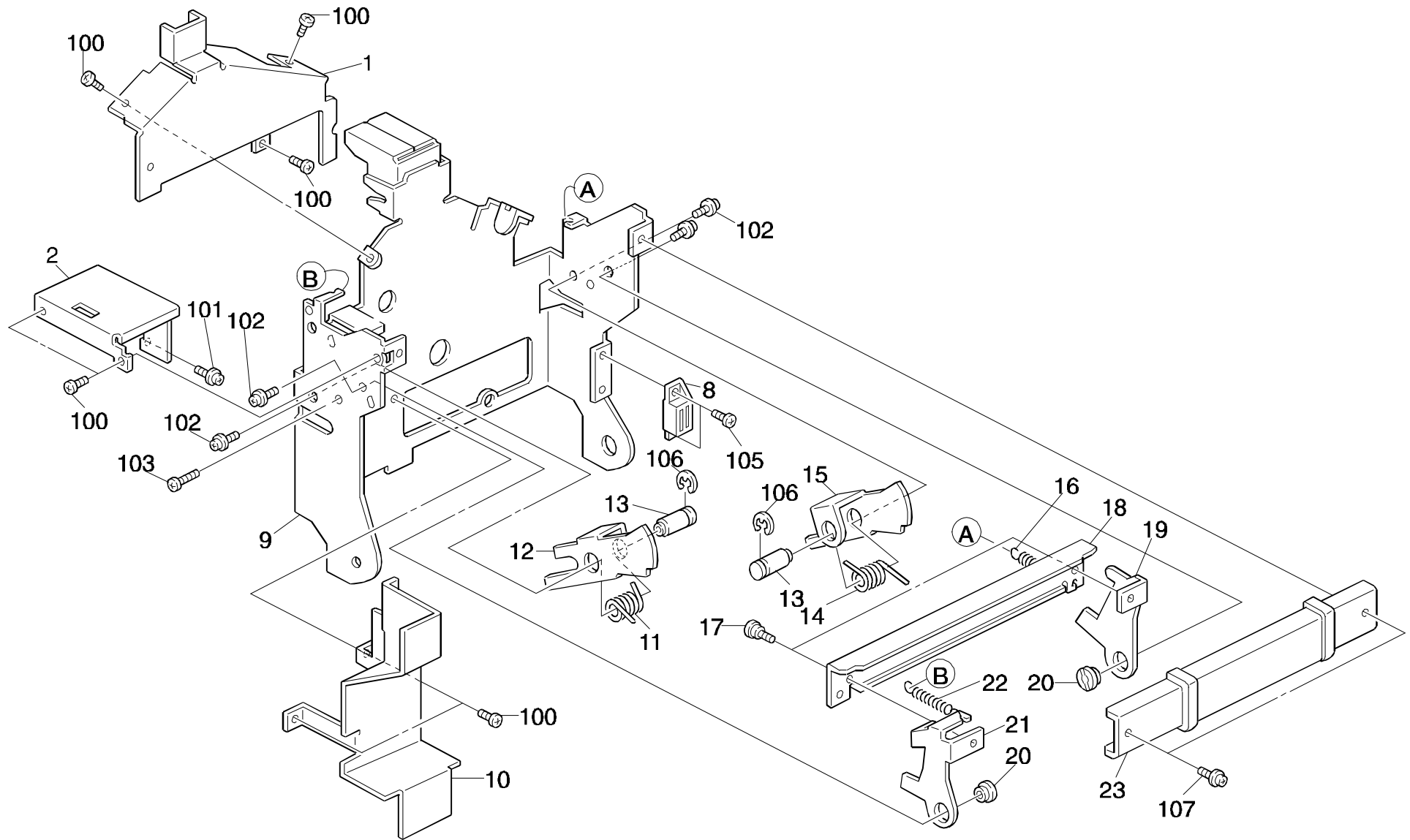


19.Drum Section 1 (C222)

Index No.	Part No.	Description	Q'ty Per Assembly
1	5413 1882	Stepped Screw	1
2	C209 4529	Drum Stopper	1
3	C200 4914	Drum Stopper Spring	1
4	C200 4814	Bushing - 6x10x55mm	1
5	C209 4852	Gear - 46Z	1
6	5507 6624	Bushing - 8x16x45mm	1
7	C200 4864	Bracket - Ink Supply Solenoid	1
8	C201 8062	Ink Supply Solenoid	1
9	5505 3598	Spring - Ratch - Control Section	1
10	C200 4862	Ink Stopper	1
11	C209 4674	Gear - 25Z	1
12	C201 4676	Clutch Spring	1
13	C200 4861	Pump Clutch Sleeve	1
14	C201 4067	Pump Clutch Collar	1
15	C209 4677	Clutch Bracket	1
16	5507 6624	Bushing - 8x16x45mm	1
17	C200 4926	Ink Holder Cam	1
18	C209 4867	Gear - 64Z	1
19	0808 0021	Rubber Ring	1
20	C213 4810	Ink Antechamber	1
21	C201 4679	Ink Pump Slider	1
22	C209 4817	Ink Tube - Small	1
23	C200 4813	Support Plate - Ink Antechamber	1
24	C209 4713	Hose Band	2
25	C200 4826	Pump Rubber	1
26	C209 4923	Right Shaft - Ink Holder	1
27	C209 4930	Seal - 0.1x5x17	1
28	C201 4639	Ink Holder Handle	1
29	C201 4682	Ink Cartridge Spring	1
30	C200 4924	Right Shaft - Ink Holder	1
31	C209 4641	Ink Holder	1
32	C222 4670	Ink Pump	1
33	C526 4633	Spacer Holder	1

Index No.	Part No.	Description	Q'ty Per Assembly
100	0951 4006Z	Philips Screw With Flat Washer - M4	
101	0313 0040Z	Philips Pan Head Screw - M3x4	
102	0960 4006Z	Philips Frang Screw - M4x6	
103	0951 4020Z	Philips Screw With Flat Washer - M4	
104	0623 0080E	Spring Pin - 3x8mm	
105	0707 4160B	Bushing - 4x16mm	
106	0574 0050E	Hexagon Headless Set Screw - M4x5	
107	0434 0060Z	Tapping Screw - M4x6	
108	0720 0060Z	Retaining Ring - M6	
109	0951 4010Z	Philips Screw With Flat Washer M4x8	
110	0720 0050Z	Retaining Ring - M5	
111	0434 0080Z	Tapping Screw - M4x8	
112	0595 0080Z	Bolt - M5x8	
113	0314 0060Z	Philips Pan Head Screw - M4x6	

20. Drum Section 2 (C222)

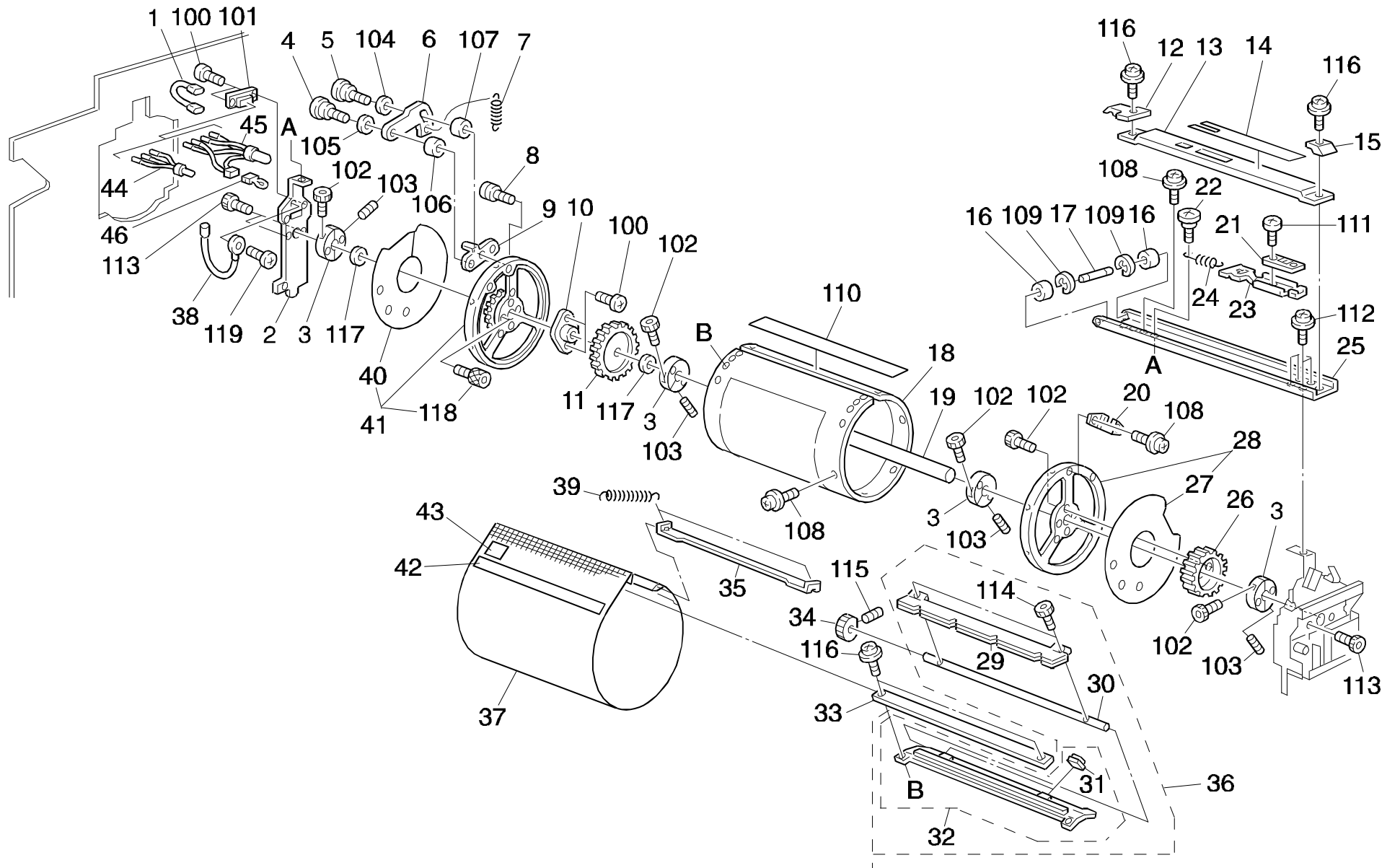


20.Drum Section 2 (C222)

Index No.	Part No.	Description	Q'ty Per Assembly
1	C209 4616	Side Plate Cover - Drum	1
2	C209 4620	Upper Cover - Drum Side Plate	1
8	AG07 0004	Magnetic Catch	1
9	C209 4624	Front Side Plate	1
10	C209 4617	Lower Cover - Drum Side Plate	1
11	C209 4634	Drum Lock Spring - Left	1
12	C200 4631	Left Arm - Drum Lock	1
13	C200 4633	Drum Lock Shaft - Long	2
14	C200 4635	Drum Lock Spring - Right	1
15	C200 4632	Right Arm - Drum Lock	1
16	5600 1379	Spring	1
17	5400 3404	Stepped Screw	2
18	C209 4639	Release Lever - Drum Lock	1
19	C209 4637	Right Stopper - Drum Lock	1
20	C200 4638	Drum Lock Shaft - Small	2
21	C209 4638	Left Stopper - Drum Lock	1
22	C209 4642	Drum Lock Spring	1
23	C201 4636	Drum Unit Handle	1

Index No.	Part No.	Description	Q'ty Per Assembly
100	0434 0060Z	Tapping Screw - M4x6	
101	0951 3005Z	Philips Pan Head Screw - M3x5	
102	0960 4006Z	Philips Frang Screw - M4x6	
103	0434 0100Z	Pan Head Self-tapping Screw - M4x10	
105	0314 0060Z	Philips Pan Head Screw - M4x6	
106	0720 0060Z	Retaining Ring - M6	
107	0960 4008Z	Flange Head Screw - 4x8	

21. Drum Section 3 (C222)

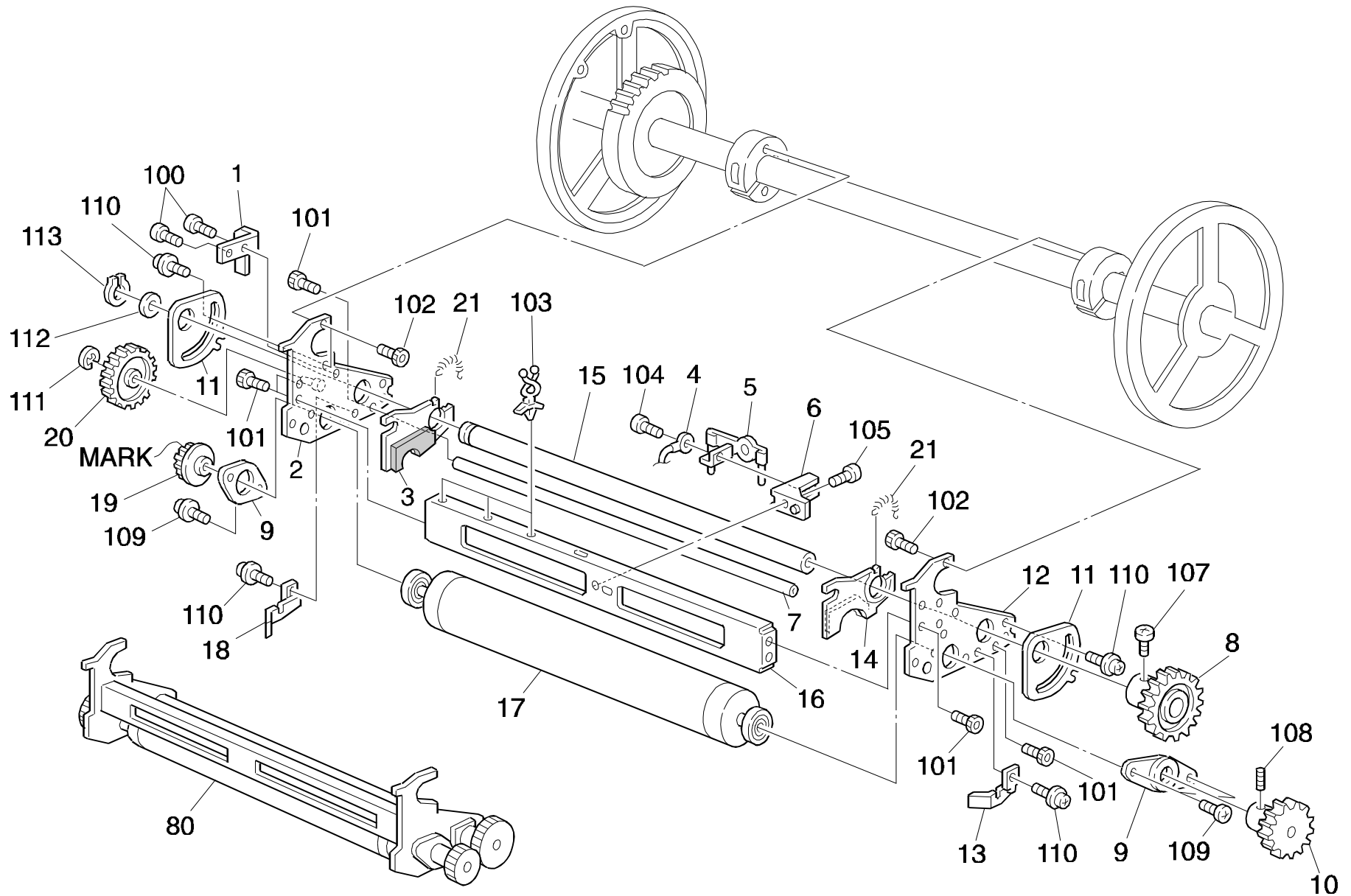


21.Drum Section 3 (C222)

Index No.	Part No.	Description	Q'ty Per Assembly
1	C200 8524	Color Drum Harness (Option)	1
2	C200 4613	Rear Side Plate - Drum	1
3	C200 4653	Drum Shaft Bracket	4
4	5506 6069	Step Screw - Etching Middle Roller	1
5	C200 4946	Clamper Sector Shaft	1
6	C200 4944	Sector Gear - 9T	1
7	C200 4945	Sector Gear Spring	1
8	5413 3082	Spring Anchor - Lock Lever	1
9	C219 4686	Drum H.p Sensor Actuator	1
10	C200 4674	Drive Flange - Ink Roller	1
11	C200 4672	Gear - 48T	1
12	C218 4612	Rear Roller Guide	1
13	C201 4613	Drum Rail Cover	1
14	C201 2543	Decal - Drum Caution	1
15	C207 4611	Front Stopper Guide	1
16	C201 4604	Drum Rail Roller	2
17	C200 4627	Drum Rail Shaft	1
18	C215 4690	Metal Screen	1
19	C200 4650	Drum Shaft	1
20	C209 4681	Stopper Plate	1
21	C201 4609	Stopper Relasing Lever	1
22	5506 6111	Stepped Screw - M4	1
23	C201 4606	Stopper Releasing Plate	1
24	C201 4610	Drum Slider Spring	1
25	C200 4625	Drum Rail	1
26	C209 4673	Gear - 62Z	1
27	C219 4678	Front Drum Flange Cover	1
28	C219 4648	Front Drum Flange	1
29	C207 4938	Clamper Plate	1
30	C219 4941	Clamper Shaft	1
31	C222 4947	Clamper Rubber	1
32	C215 4950	Drum Clamper Base Ass'y	1
33	C200 4682	Screen Front Plate	1
34	C200 4942	Pinion - 9T	1
35	C200 4683	Screen Rear Plate	1

Index No.	Part No.	Description	Q'ty Per Assembly
36	C219 4948	Drum Clamper Ass'y	1
37	C219 4583	Tetron Screen - B4	1
38	C200 8522	Ground Wire	1
39	C203 4524	Screen Plate Spring	2
40	C219 4679	Rear Shield - Drum Flange	1
41	C219 4560	Rear Drum Flange	1
42	C219 4840	Master Stopper - 266x22	1
43	C207 4550	Sensor Sheet - 8x20	1
44	C526 8172	Relay Harness (Option)	1
45	C528 8172	Relay harness - A4/LT Drum	1
46	C528 8173	Short Connector - A4 Color Limited	1
100	0314 0080Z	Philips Screw - 4x8	
101	1102 1341	Connector - 8P	
102	0595 0140E	Hexagon Bolt - M5x14	
103	0575 0080E	Hexagon Headless Set Screw - M5x8	
104	0807 4126	Flat Washer - 6.2x12x0.2mm	
105	0807 5044	Spacer - 8.1mmx11.5mmx0.2	
106	0807 5076	Washer - 8x13x2.2mm	
107	0807 3103	Washer - 4x13x2.3mm	
108	0951 4006Z	Philips Screw With Flat Washer - M4	
109	0720 0050Z	Retaining Ring - M5	
110	2701 0101	Metal Screen Seal	
111	0323 0050Z	Philips Sunken Head Screw - M3x5	
112	0960 4006Z	Philips Frang Screw - M4x6	
113	0594 0080Z	Bolt - M4x8	
114	0804 6091	Hexagonal Set Screw - M2x5	
115	0574 0050E	Hexagon Headless Set Screw - M4x5	
116	0951 4008Z	Philips Screw With Flat Washer M4x8	
117	0807 7114	Washer - 16x24x0.3mm	
118	0804 6092	Hexagonal Set Screw	
119	0314 0060Z	Philips Pan Head Screw - M4x6	

22. Drum Section 4 (C222)

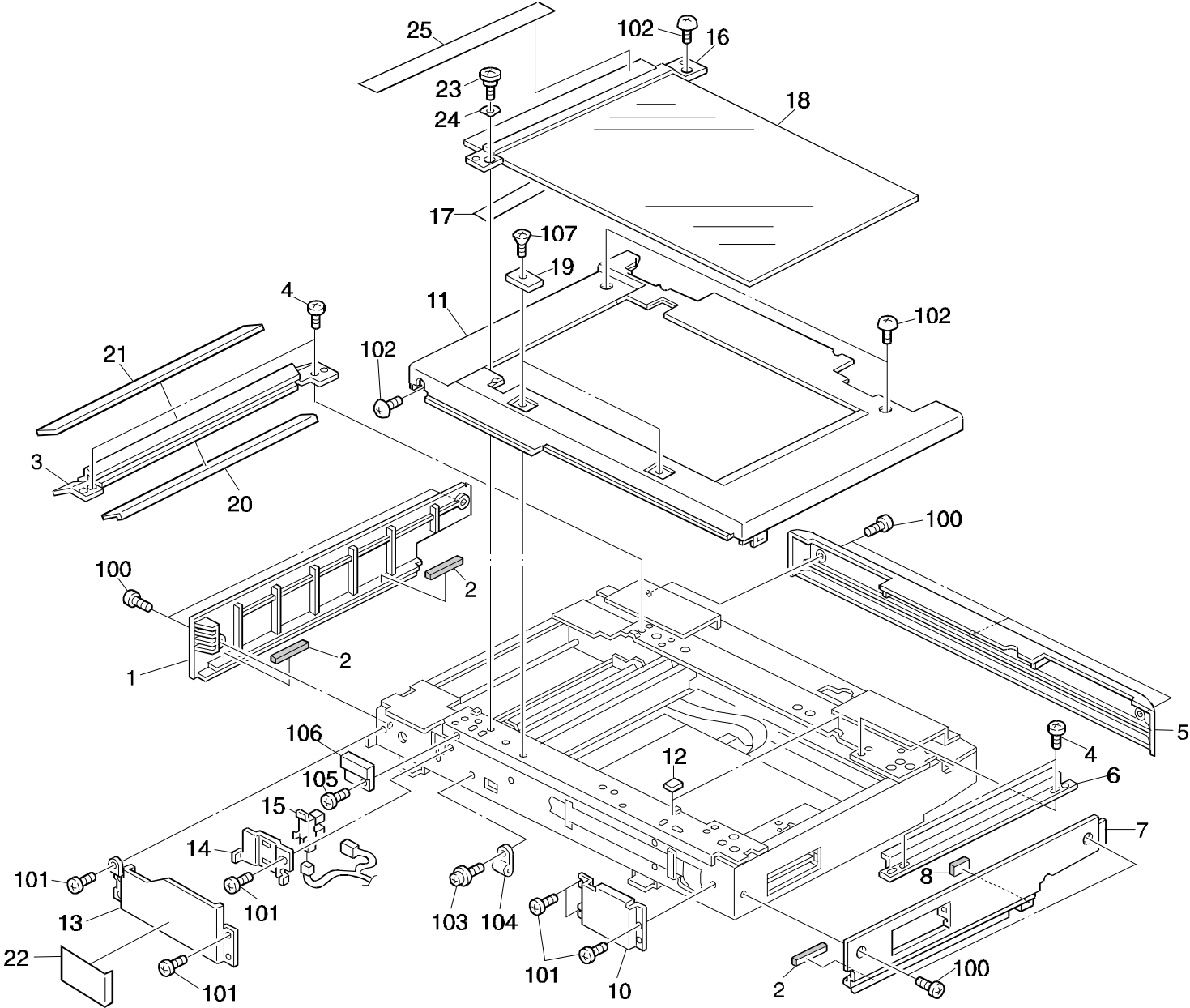


22.Drum Section 4 (C222)

Index No.	Part No.	Description	Q'ty Per Assembly
1	C200 4749	Ground Plate	1
2	C207 4665	Rear Side Plate - Ink Roller	1
3	C217 4594	Rear Bank Plate	1
4	C200 8520	Ink Detector Harness	1
5	C203 4543	Ink Detector	1
6	C200 4733	Ink Detector Bracket	1
7	C200 4715	Shaft Stay - Ink Roller	1
8	C200 4748	Gear - 45T	1
9	C201 4665	Bearing Holder	2
10	C200 3629	Gear - 20T	1
11	C200 4723	Adjusting Plate - Doctor Roller	2
12	C207 4664	Front Side Plate - Ink Roller	1
13	C217 4598	Front Drum Blade	1
14	C217 4592	Front Bank Plate	1
15	C200 4722	Drum Doctor Roller	1
16	C201 4664	Ink Roller Stay	1
17	C201 4666	Drum Ink Roller	1
18	C217 4599	Rear Drum Blade	1
19	C207 4670	Gear - 24Z	1
20	C207 4672	Gear - 36Z	1
21	C215 4557	Spring	2
80	C219 4541	Drum Unit	1

Index No.	Part No.	Description	Q'ty Per Assembly
100	0314 0080Z	Philips Screw - 4x8	
101	0594 0060E	Socket Screw - 4X6	
102	0594 0080Z	Bolt - M4x8	
103	1105 0209	Clamp	
104	0434 0082Z	Tapping Screw - M4x8	
105	0314 0060Z	Philips Pan Head Screw - M4x6	
107	0313 0050Z	Philips Screw - 3x5	
108	0573 0040E	Hexagon Headless Set Screw - M3x4	
109	0313 0040Z	Philips Pan Head Screw - M3x4	
110	0951 4006Z	Philips Screw With Flat Washer - M4	
111	0720 0050Z	Retaining Ring - M5	
112	0807 7114	Washer - 16x24x0.3mm	
113	0725 0160E	Retaining Ring C - M16	

23. Scanner Section 1 (C222)

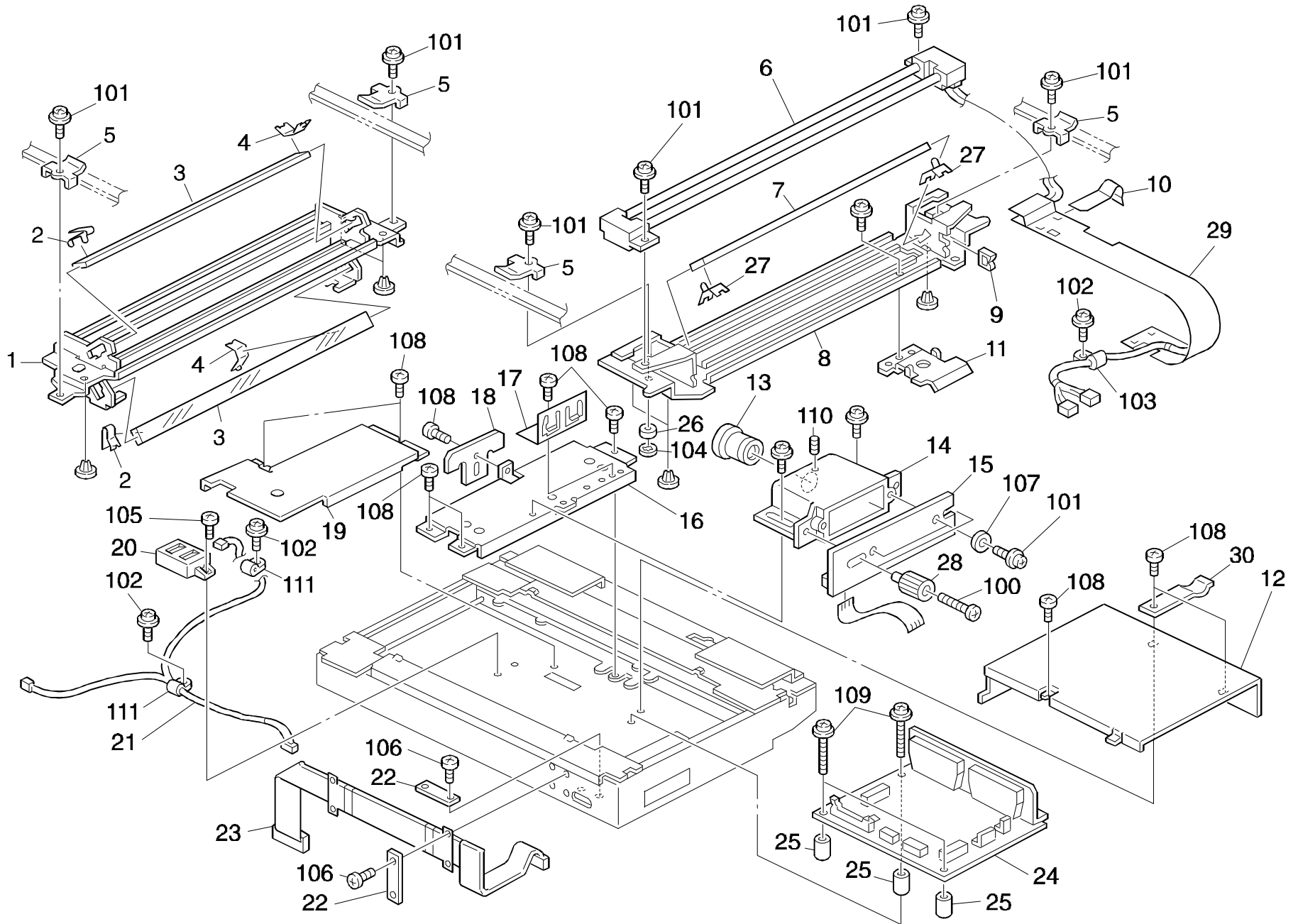


23.Scanner Section 1 (C222)

Index No.	Part No.	Description	Q'ty Per Assembly
*	C222 3262	Scanner Unit	1
1	C218 2535	Scanner Left Cover	1
2	C218 2522	Cushion - Large	3
3	C218 3046	Original Exit Guide	1
4	5875 2088	Shoulder Screw - M4	4
5	C218 2560	Scanner Rear Cover	1
6	C218 3041	Right Bracket	1
7	C218 2515	Scanner Right Cover	1
8	C218 2524	Cushion - Small	1
10	C218 3037	Flat Cable Cover	1
11	C218 2500	Scanner Upper Cover	1
12	C218 3171	Seal - 5x30	2
13	C218 3036	H.P Sensor Cover	1
14	C218 3034	H.P Sensor Bracket	1
15	C218 8407	Photointerruptor - GPLA34LC	1
16	C218 3157	Original Scale - LT	1
16	C218 3205	Original Scale - A4	1
17	C222 3170	Exposure Glass Sheet	1
18	C218 3154	Exposuer Glass (LT)	1
18	C218 3166	Exposure Glass (A4)	1
19	C218 3446	Magnet Catch Plate	2
20	C218 3045	Guide Mylar	1
21	C218 3044	Cover Cushion	1
22	C218 3018	Seal - 40x131	1
23	C217 5102	Spring Washer	4
24	C218 2525	Stepped Screw - M4	4
25	C218 2820	Decal - Original Size - LT	1

Index No.	Part No.	Description	Q'ty Per Assembly
25	C218 2516	Decal - Original Scale - A4	1
100	0344 0060D	Philips Truss Head Screw - M4x6	
101	0314 0060Z	Philips Pan Head Screw - M4x6	
102	0344 0060D	Philips Truss Head Screw - M4x6	
103	0960 4006Z	Philips Frang Screw - M4x6	
104	1105 0005	Nylon Clip - 3N	
105	0313 0060Z	Philips Pan Head Screw - M3x6	
106	1204 2353	Switch - PS3670-02	
107	0324 0060Z	Philips Sunken Head Screw - M4x6	

24. Scanner Section 2 (C222)

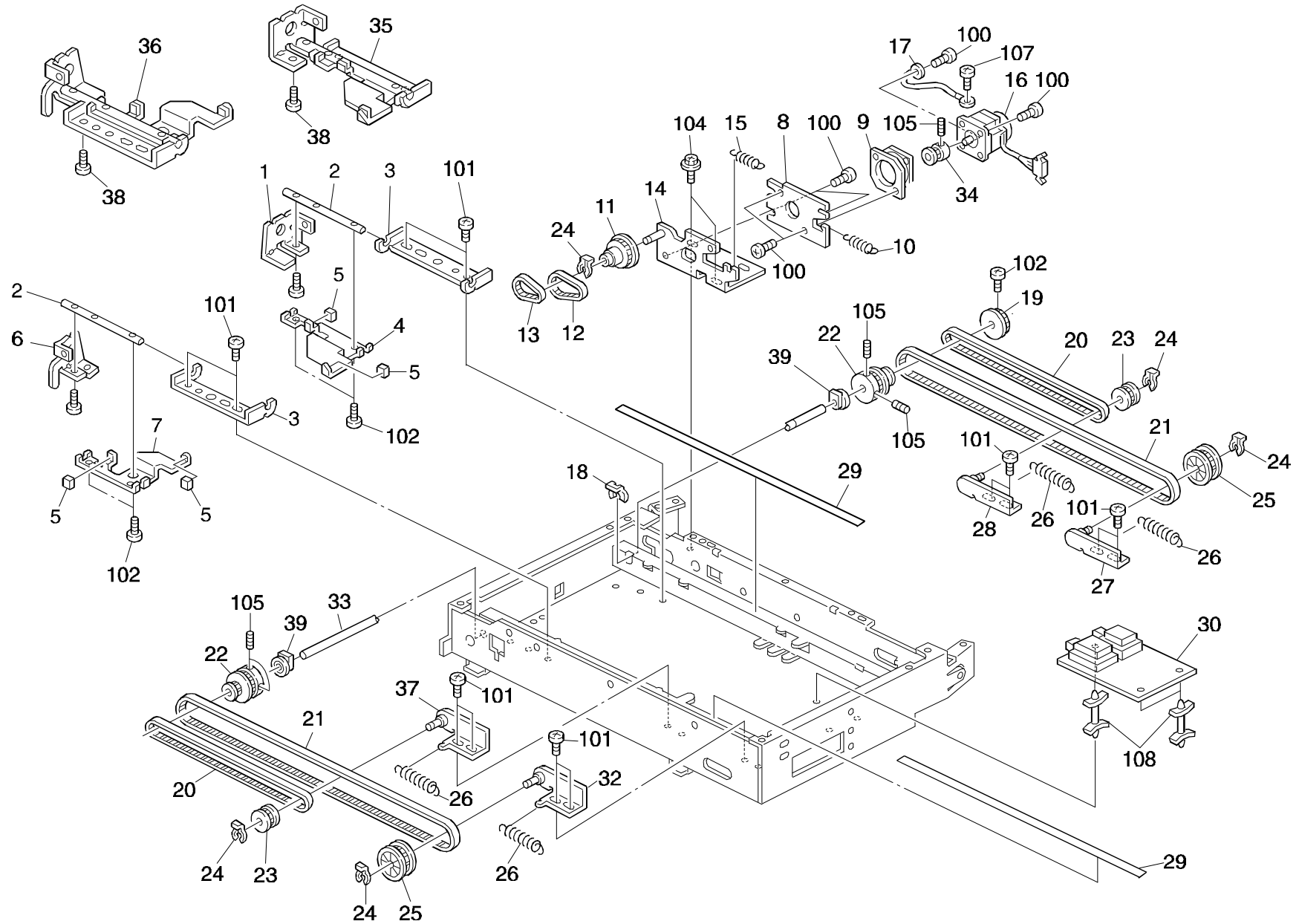


24.Scanner Section 2 (C222)

Index No.	Part No.	Description	Q'ty Per Assembly
1	C222 3185	Mirror Bracket - 2nd/3rd	1
2	C218 3208	Front Spring Plate	2
3	C218 3206	2nd And 3rd Mirror	2
4	C218 3207	Rear Spring Plate	2
5	C218 3193	Timing Belt Clamp	4
6	C222 8220	Fluorescent Lamp	1
7	C218 3191	1st Mirror	1
8	C222 3150	1st Mirror Bracket	1
9	H515 3709	Edgeing	1
10	C222 3179	Harness Clip	1
11	C222 3178	Fluorescent Lamp Harness Bracket	1
12	C222 3232	CCD Board Cover	1
13	C200 3091	Lens - F4.5/38	1
14	C215 3040	Lens Block	1
15	C222 8072	CCD Board	1
16	C222 3051	Lens Base Plate	1
17	C222 3169	Harness Bracket	1
18	C222 3225	Shading Plate	1
19	C222 3019	Scanner Harness Cover	1
20	C218 8424	Original Sensor	1
21	C218 8132	Original Sensor Harness	1
22	C218 3039	Flat Cable Clamp	2
23	C222 8143	Scanner Flat Cable	1
24	C222 8012	A/D Converter Board	1
25	C222 3120	Spacer	4
26	C209 4087	Gide Plate Roller	1
27	C218 3190	Spring Plate	2
28	5466 3147	Adjusting Knob	1
29	C222 3200	Fluorescent Lamp Harness	1
30	C222 3234	Grounding Plate	1

Index No.	Part No.	Description	Q'ty Per Assembly
100	0314 0140Z	Philips Screw - 4x14	
101	0951 3006Z	Philips Screw With Flat Washer - M3	
102	0960 4006Z	Philips Frang Screw - M4x6	
103	1105 0011	Nylon Clip - 8N	
104	0720 0030Z	Retaining Ring - M3	
105	0313 0060Z	Philips Pan Head Screw - M3x6	
106	0314 0050Z	Philips Pan Head Screw - M4x5	
107	0701 0040Z	Flat Washer - M4	
108	0801 1135	Philips Pan Head Screw - M3x3	
109	0951 3014Z	Philips Screw W/T Flat Waser-M3x14	
110	0553 0060E	Allen Screw - M3x6	
111	1105 0005	Nylon Clip - 3N	

25. Scanner Section 3 (C222)

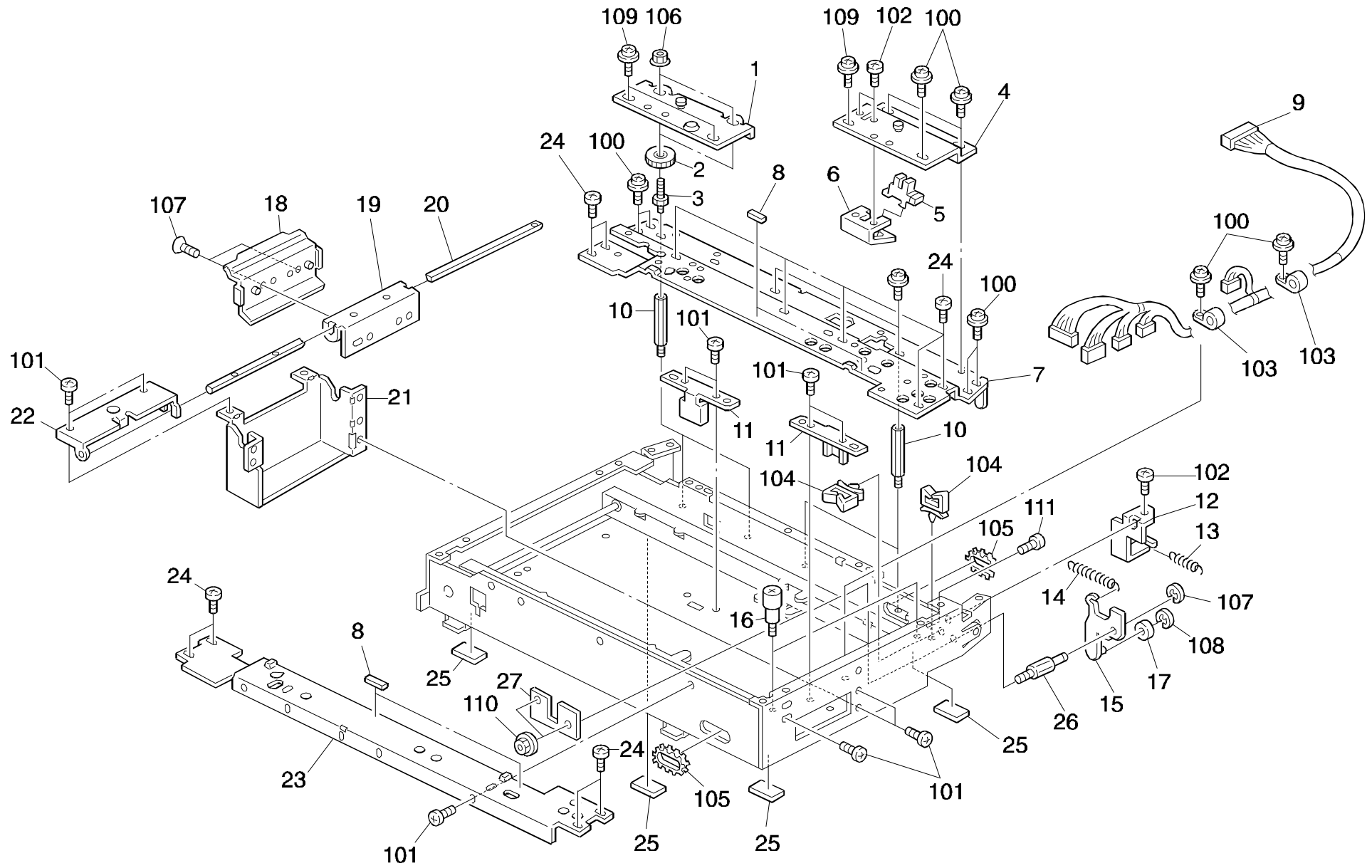


25.Scanner Section 3 (C222)

Index No.	Part No.	Description	Q'ty Per Assembly
1	C218 3060	Rear Fixed Angle	1
2	C218 3057	Fixed Shaft	2
3	C218 3056	Fixed Shaft Bracket	2
4	C218 3058	Rear Fixed Arm	1
5	C218 3054	Pad - 5x5	4
6	C218 3059	Rear Fixed Arm	1
7	C218 3053	Arm - Carriage - Fix - Front	1
8	C218 3081	Tension Bracket	1
9	C218 3086	Motor Cushion	1
10	C218 3082	Tension Spring	1
11	C218 3065	Pulley - 22/56Z	1
12	C218 3072	Timing Belt - B40S2M160	1
13	C218 3073	Timing Belt - B60S2M126	1
14	C218 3078	Scanner Motor Bracket	1
15	C218 3083	Tension Spring	1
16	C222 8214	Scanner Drive Motor	1
17	C218 8426	Grounding Harness	1
18	C209 3133	Retaining Ring - M6	1
19	C218 3066	Pulley - 49Z	1
20	C218 3075	Timing Belt - B40S2M800	2
21	C218 3074	Timing Belt - B40S2M1274	2
22	C218 3063	Scanner Drive Pulley	2
23	C218 3069	Timing Pulley - 24Z	2
24	5447 2681	Snap Ring	5
25	C218 3068	Timing Pulley - 48Z	2
26	C218 3094	Tension Spring	4
27	C218 3103	Timing Pulley Bracket - Rear 2	1
28	C218 3096	Timing Pulley Bracket - Rear 1	1
29	C218 3017	Scanner Grip Rail	2
30	C222 8221	Inverter	1
32	C218 3099	Timing Pulley Bracket - Front 2	1
33	C218 3090	Scanner Drive Shaft	2
34	C218 3062	Timing Pulley - Scanner Motor	1
35	C218 3058	Rear Fixed Arm	1
36	C218 3052	Front Fixed Arm	1

Index No.	Part No.	Description	Q'ty Per Assembly
37	C218 3091	Timing Pulley Bracket - Front 1	1
38	C218 3051	Philips Screw - M3	2
39	C222 3193	Bushing - 8mm	2
100	0314 0080Z	Philips Screw - 4x8	
101	0801 1004	Screw - M4X4	
102	0313 0050Z	Philips Screw - 3x5	
104	0804 6074	Hexagon Bolt - M4x8	
105	0573 0040E	Hexagon Headless Set Screw - M3x4	
107	0960 4006Z	Philips Frang Screw - M4x6	
108	1105 0225	Spacer - W Rocking	

26. Scanner Section 4 (C222)

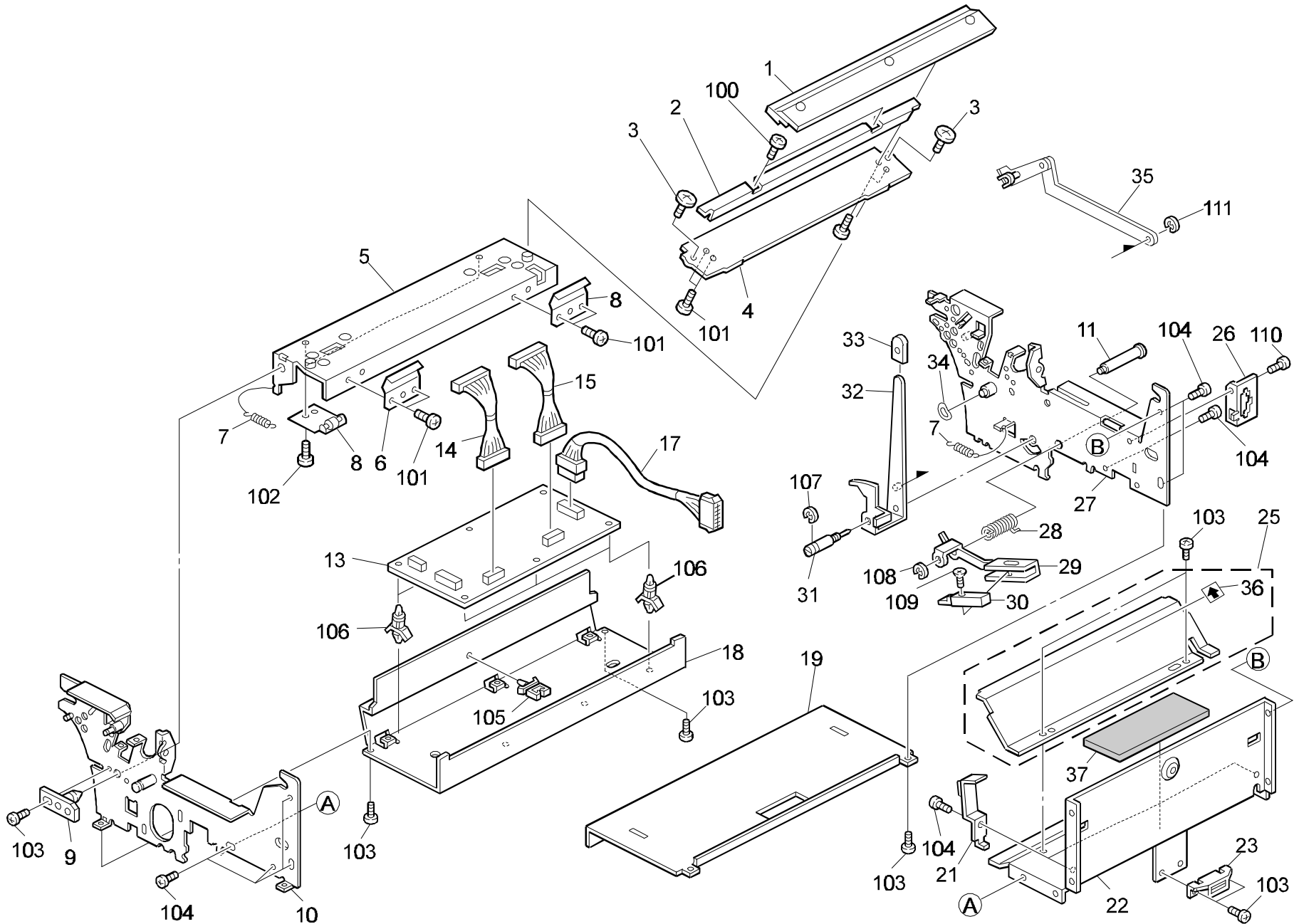


26.Scanner Section 4 (C222)

Index No.	Part No.	Description	Q'ty Per Assembly
1	C218 3438	Platen Cover Left Bracket	1
2	C218 3430	Knob Screw	2
3	C218 3431	Platen Cover Shaft	1
4	C218 3426	Platen Cover Right Bracket	1
5	AW02 0021	Photointerruptor - 175487-3	1
6	C218 3434	Sensor Bracket	1
7	C218 3028	Scanner Rear Stay	1
8	C218 3025	Contact Grass Cushion	1
9	C222 8415	Scanner Harness	1
10	C218 3031	Stud	2
11	C218 3014	Scanner Stopper Lever	2
12	C218 3118	Scanner Stopper Bracket	1
13	C218 3117	Stopper Spring 2	1
14	C218 3116	Stopper Spring 1	1
15	C218 3112	Scanner Stopper	1
16	C218 3020	Stopper Pin	2
17	C209 4087	Gide Plate Roller	1
18	C218 3108	Scanner Grip	1
19	C218 3109	Scanner Grip Bracket	1
20	C218 3111	Scanner Grip Shaft	1
21	C222 3016	Scanner Grip Cover	1
22	C218 3110	Scanner Grip Upper Cover	1
23	C218 3024	Scanner Front Stay	1
24	5875 2088	Shoulder Screw - M4	11
25	C218 3003	Seal - 28x40	8
26	C218 3022	Scanner Stopper Shaft	1
27	C218 3021	Support Plate	1

Index No.	Part No.	Description	Q'ty Per Assembly
100	0960 4008Z	Flange Head Screw - 4x8	
101	0801 1004	Screw - M4X4	
102	0313 0060Z	Philips Pan Head Screw - M3x6	
103	1105 0011	Nylon Clip - 8N	
104	1105 0144	Harness Clamp	
105	1106 0103	Universal Bushing	
106	0713 0040B	Hexagon Nut - M4	
107	0720 0050Z	Retaining Ring - M5	
108	0720 0030Z	Retaining Ring - M3	
109	0960 4008W	Philips Flange Screw - M4x8	
110	0713 0050B	Hexagon Nut - M5	
111	0314 0060Z	Philips Pan Head Screw - M4x6	

27. Plotter Section 1 (C222)

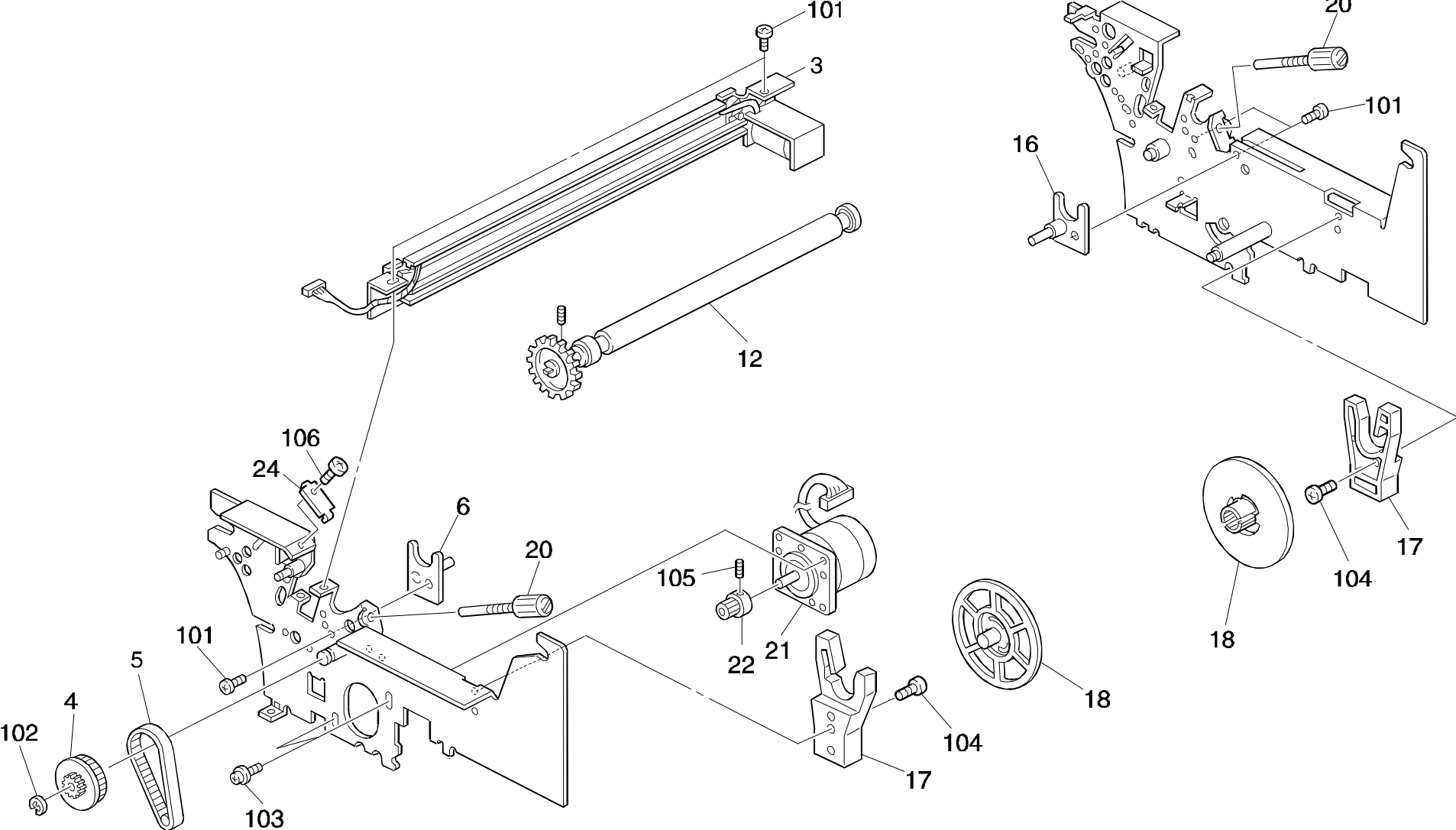


27.Plotter Section 1 (C222)

Index No.	Part No.	Description	Q'ty Per Assembly
*	C222 1056	Plotter Unit - LT	1
*	C222 1075	Plotter Unit - A4	1
1	C222 8037	Thermal Head - B4	1
2	C222 4001	Guide Plate - Thermal Head	1
3	C209 4180	Thermal Head Spacer	2
4	C222 4002	Thermal Head Spcer	1
5	C222 4003	Thermal Head Base	1
6	C209 4139	Spring Plate	2
7	C219 4007	Spring - B4	2
8	C222 4136	Pressure Spring	1
9	C209 4040	Left Adjusting Plate	1
10	C222 4111	Left Side Plate	1
11	C219 4026	Sensor Shaft	1
13	C222 8028	Thermal Head Drive Board	1
14	C222 8163	Thermal Head Harness - 2	1
15	C222 8164	Thermal Head Harness - 1	1
17	C219 8146	Harness Head Power	1
18	C222 4015	Plotter Base	1
19	C219 4012	Plotter Lower Cover	1
21	C203 4013	Brake Plate	1
22	C219 4022	Master Roller Cacher	1
23	AG07 0004	Magnetic Catch	1
25	C222 4014	Thermal Head Cover	1
26	C219 4250	Right Connector Bracket	1
27	C219 4101	Right Side Plate	1
28	C219 4028	Sensor Spring	1
29	C209 4027	Master End Sensor Bracket	1
30	5203 5230	Master Sensor	1
31	C219 4029	Lever Shaft	1
32	C219 4031	Platen Release Lever	1
33	C209 4059	Lever Knob	1
34	C218 4038	Bushing Washer - M8	1
35	C209 4076	Tension Release Arm	1
36	C218 2827	Decal - Master Feed	1
37	C219 4023	Seal	1

Index No.	Part No.	Description	Q'ty Per Assembly
100	0313 0040Z	Philips Pan Head Screw - M3x4	
101	0313 0060Z	Philips Pan Head Screw - M3x6	
102	0313 0050Z	Philips Screw - 3x5	
103	0314 0060Z	Philips Pan Head Screw - M4x6	
104	0434 0080Z	Tapping Screw - M4x8	
105	1105 0144	Harness Clamp	
106	1105 0193	Locking Support	
107	0720 0070Z	Retaining Ring - M7	
108	0720 0050Z	Retaining Ring - M5	
109	0323 0100Z	Philips Sunken Head Screw - M3x10	
110	0434 0060Z	Tapping Screw - M4x6	
111	0720 0040Z	Retaining Ring - M4	

28. Plotter Section 2 (C222)

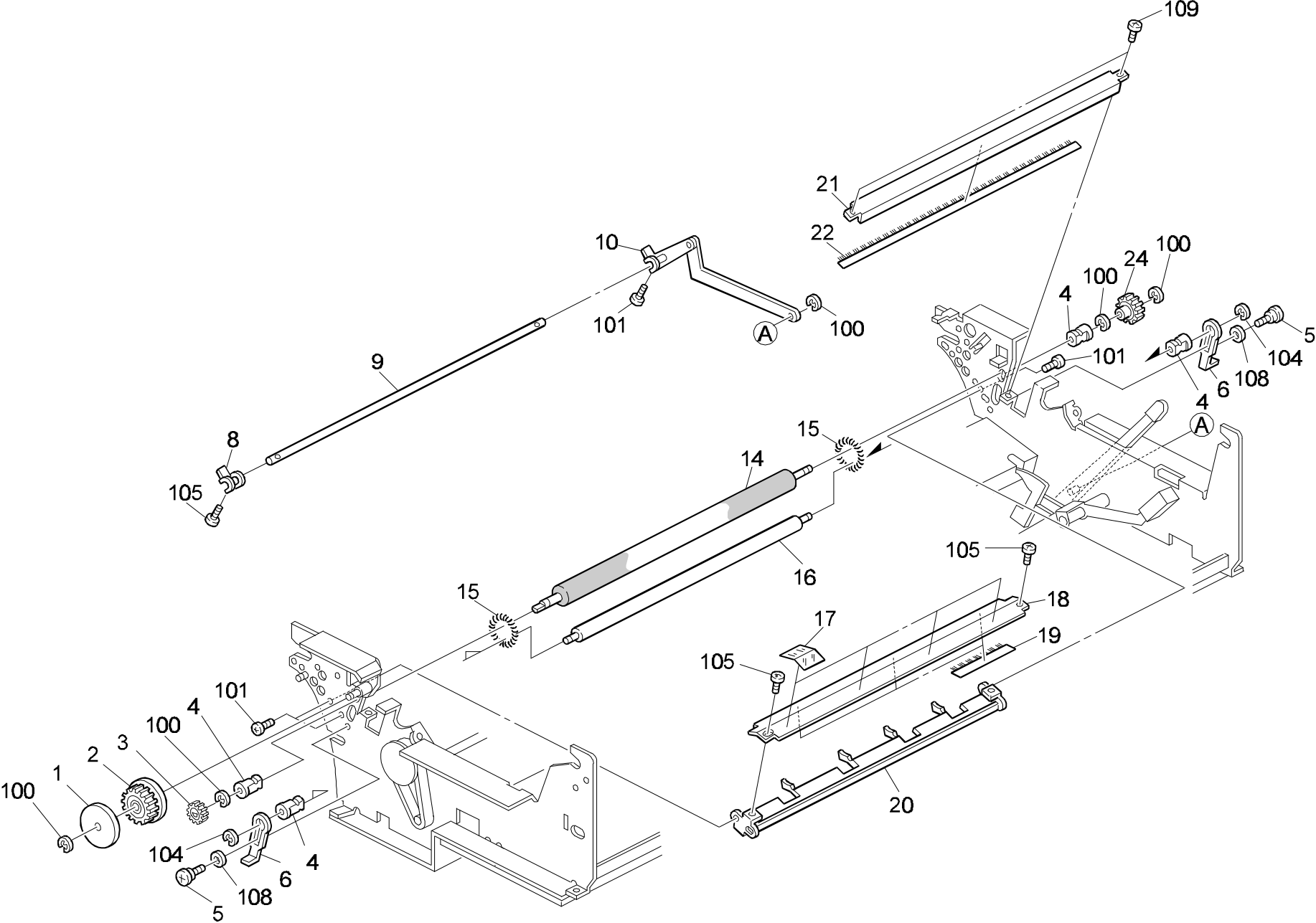


28.Plotter Section 2 (C222)

Index No.	Part No.	Description	Q'ty Per Assembly
3	C219 4067	Cutter Unit	1
4	C222 4070	Gear - 42Z	1
5	C222 4072	Timing Belt	1
6	C222 4037	Left Holder	1
12	C222 4044	Platen Roller	1
16	C222 4036	Right Holder	1
17	C213 4040	Master Holder	2
18	C213 4042	Master Roll Flange	2
20	C207 4150	Fixing Screw	2
21	C222 8216	Stepper Motor - Plotter	1
22	C219 4071	Gear - 17Z	1
24	C219 4130	Left Gear Cover	1

Index No.	Part No.	Description	Q'ty Per Assembly
101	0314 0060Z	Philips Pan Head Screw - M4x6	
102	0720 0070Z	Retaining Ring - M7	
103	0951 4010Z	Philips Screw With Flat Washer M4x8	
104	0434 0080Z	Tapping Screw - M4x8	
105	0574 0040E	Hexagon Headless Set Screw - M4x4	
106	0314 0060Z	Philips Pan Head Screw - M4x6	

29. Plotter Section 3 (C222)

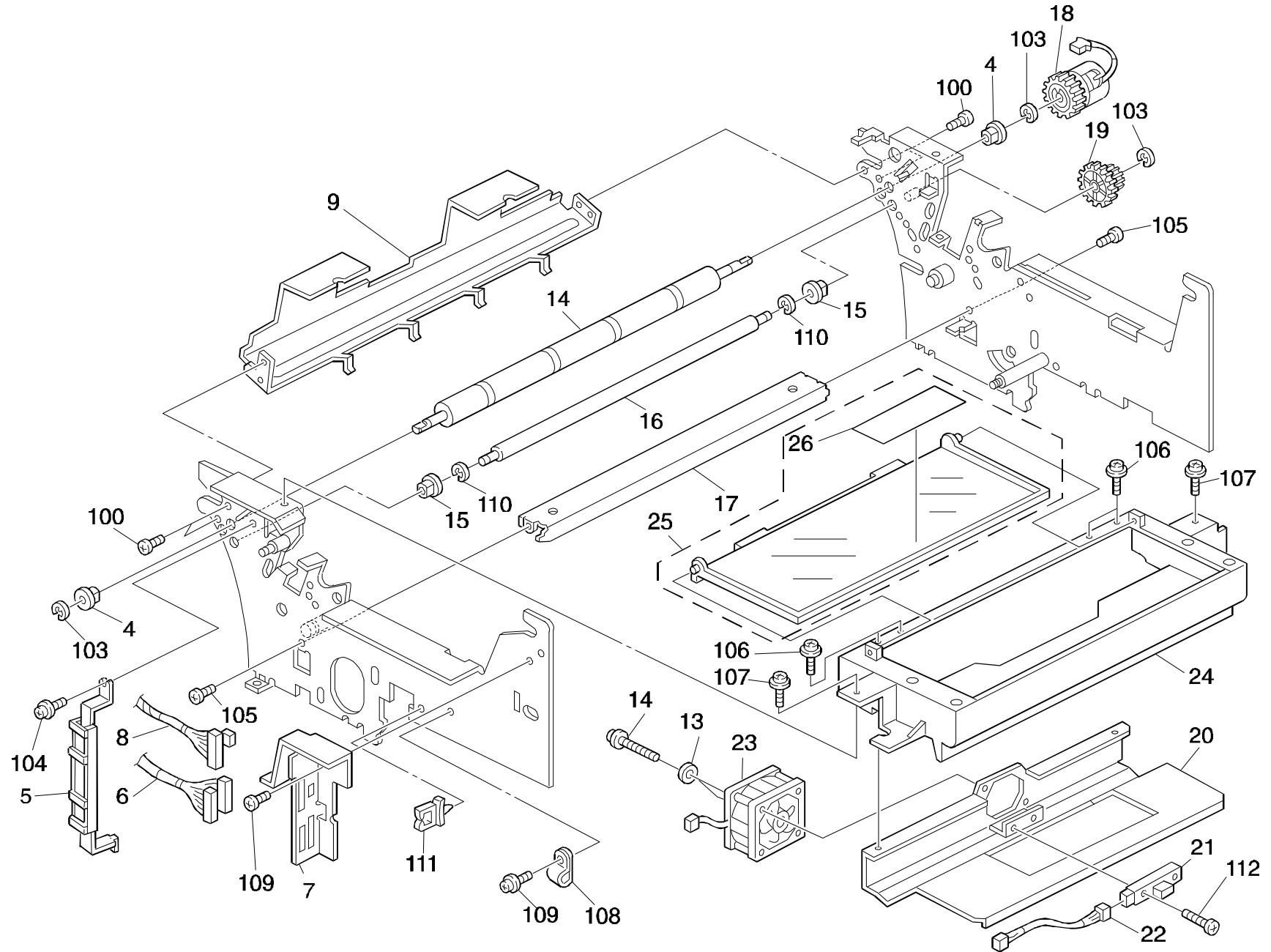


29.Plotter Section 3 (C222)

Index No.	Part No.	Description	Q'ty Per Assembly
1	C209 4116	Spacer - 6x36x0.3	1
2	C209 4115	Gear - 30Z	1
3	C222 4071	Gear - 30Z	1
4	5056 0188	Bushing - 6mm - Long	4
5	5403 2075	Stepped Screw	5
6	C203 4060	Tension Release Slider	2
8	C209 4075	Left Arm - Tension Release	1
9	C219 4048	Tension Release Shaft	1
10	C209 4076	Tension Release Arm	1
14	C219 4051	Upper Master Feed Roller	1
15	C200 4184	Tension Spring	2
16	C219 4052	Lower Master Feed Roller	1
17	C203 4038	Master Guide - Large	4
18	C222 4053	Lower Master Guide Plate	1
19	C209 4321	Antistatic Brush	3
20	C219 4055	Reverse Guide	1
21	C219 4056	Master Guide Plate	1
22	C219 4054	Antistatic Brush	1
24	C209 4072	Gear - 24Z	1

Index No.	Part No.	Description	Q'ty Per Assembly
100	0720 0040Z	Retaining Ring - M4	
101	0313 0060Z	Philips Pan Head Screw - M3x6	
103	0951 4006Z	Philips Screw With Flat Washer - M4	
104	0720 0050Z	Retaining Ring - M5	
105	0313 0050Z	Philips Screw - 3x5	
108	0701 0060Z	Flat Washer - M6	
109	0312 5050Z	Philips Pan Head Screw - M2.5x5	

30. Plotter Section 4 (C222)

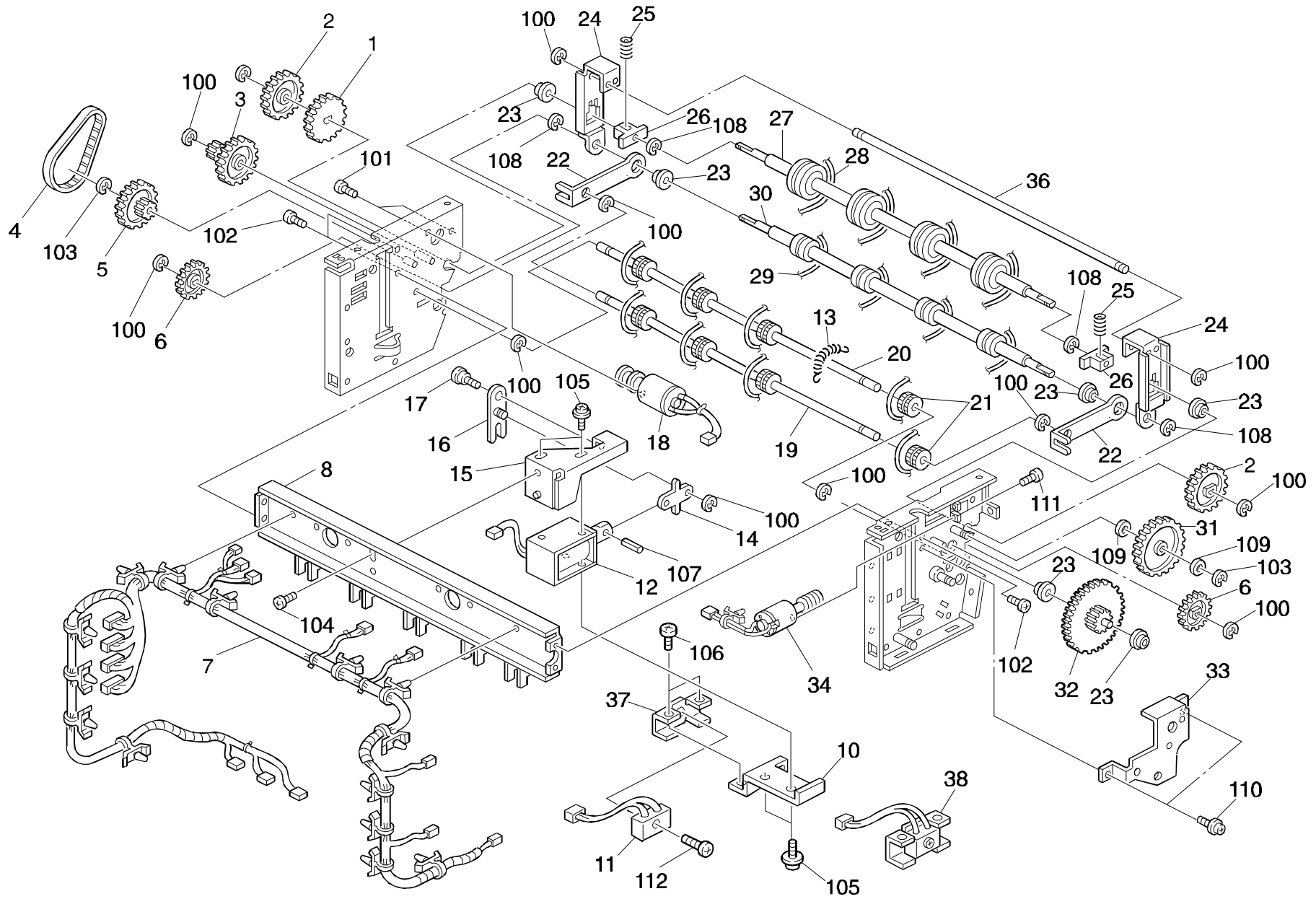


30.Plotter Section 4 (C222)

Index No.	Part No.	Description	Q'ty Per Assembly
4	H012 1181	Bushing- 6mm	2
5	C209 4128	Harness Bracket	1
6	C222 8128	Thermal Head Harness	1
7	C222 4060	Left Connector Bracket	1
8	C222 8160	Thermal Head Drive Harness	1
9	C222 4061	Master Guide Plate	1
14	C219 4062	Upper Reverse Roller	1
15	0805 3263	Bearing - 6 X 10 X 6mm	2
16	C213 4045	Lower Reverse Roller	1
17	C219 4065	Plotter Middle Stay	1
18	C219 8239	Reverse Roller - Magnetic Clutch	1
19	C209 4114	Gear - 20/27Z	1
20	C222 4331	Duct Case Bracket	1
21	C203 8137	Master Sensor	1
22	C222 8129	Sensor Relay Harness	1
23	C222 8208	Air Knife Motor	1
24	C222 4330	Duct Case	1
25	C222 4336	Duct Cover	1
26	C222 2553	Caution Decal - Master Set	1

Index No.	Part No.	Description	Q'ty Per Assembly
100	0313 0060Z	Philips Pan Head Screw - M3x6	
103	0720 0040Z	Retaining Ring - M4	
104	0964 4008Z	Tapping Screw W/washer - M4x8	
105	0313 0060Z	Philips Pan Head Screw - M3x6	
106	0951 3008Z	Philips Screw With Flat Washer - M3	
107	0951 4005Z	Philips Screw With Flat Washer-M4x5	
108	1105 0016	Nylon Clip - 4N	
109	0434 0060Z	Tapping Screw - M4x6	
110	0720 0050Z	Retaining Ring - M5	
111	1105 0144	Harness Clamp	
112	0313 0080Z	Philips Screw - 3x8	
113	0701 0030Z	Flat Washer - M3	
114	0313 0350Z	Pan Head Screw - M3x35	

31. Master Eject Section 1 (C222)



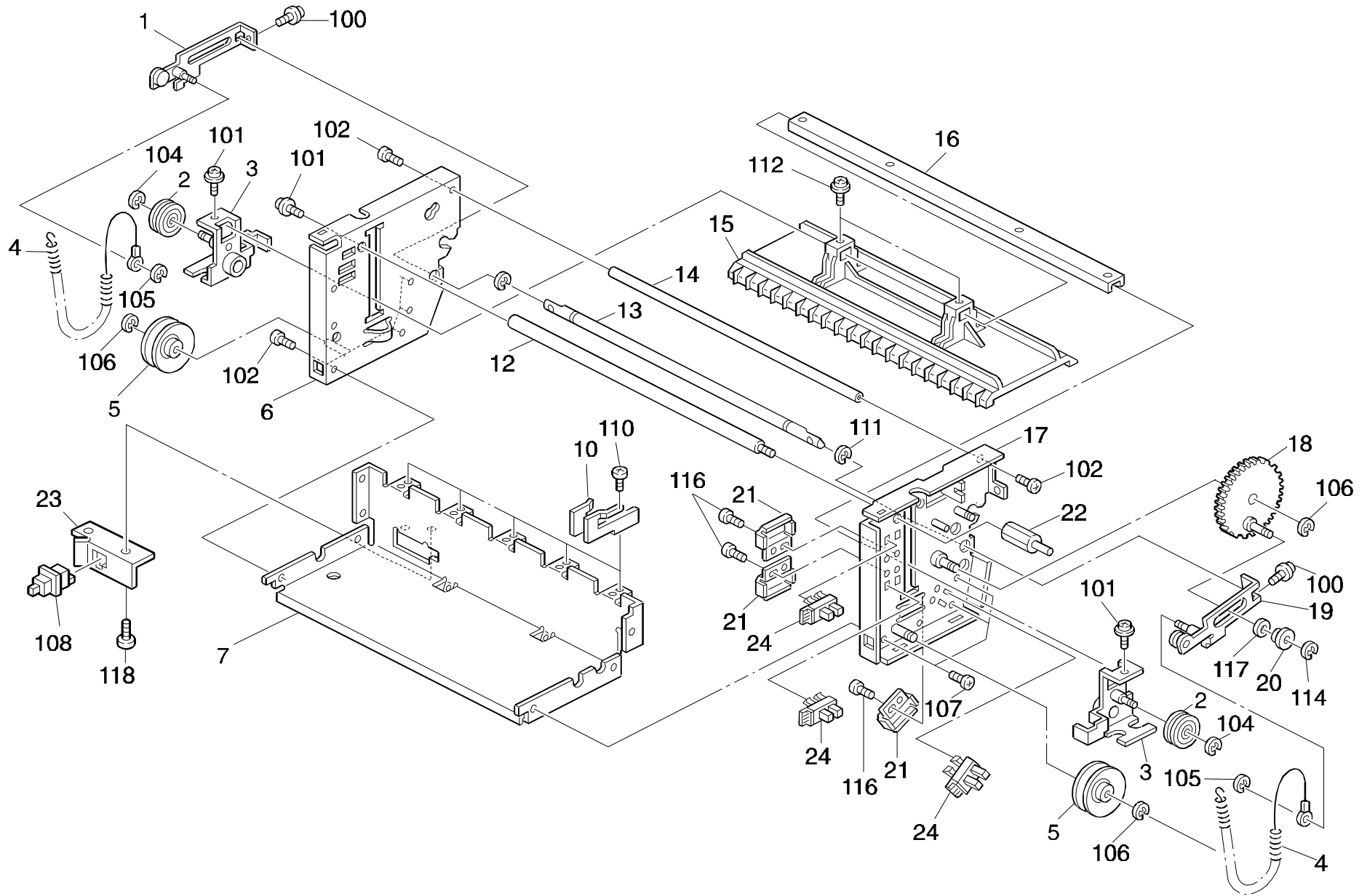
31.Master Eject Section 1 (C222)

Index No.	Part No.	Description	Q'ty Per Assembly
*	C222 1057	Master Eject Unit	1
1	C209 3545	Gear - 62Z	1
2	C200 3627	Gear - 30T	2
3	C200 3606	Coupled Gear - 62T & 20T	1
4	C207 3612	Timing Belt - B30S2M126	1
5	C207 3604	Pulley - 40Z	1
6	C200 3628	Gear - 20T	2
7	C222 8122	Master Eject Harness	1
8	C219 3517	Master Eject Stay	1
10	C207 3559	Sensor Bracket	1
11	C209 8117	Drum Master Detection Sensor	1
12	C209 8269	Master Eject Solenoid	1
13	C203 3501	Tension Spring	1
14	C209 3661	Solenoid Plate	1
15	C200 3553	Solenoid Bracket	1
16	C200 3554	Solenoid Arm	1
17	5403 2075	Stepped Screw	7
18	C209 8260	Micro Motor - Master Eject	1
19	C201 3529	Lower Pulley Shaft	1
20	C219 3526	Upper Pulley Shaft - B4	1
21	C200 3547	Pulley	8
22	C200 3529	Pulley Plate	2
23	5506 4608	Bushing - Paper Hold/down Roller -	6
24	C200 3535	Supporter	2
25	C201 3527	Pressure Spring	2
26	C200 3536	Separation Arm Bushing	2
27	C219 3522	1st Upper Eject Roller - B4	1
28	C219 3545	Upper Belt	4
29	C219 3546	Lower Belt	4
30	C219 3524	1st Lower Eject Roller - B4	1
31	C209 3550	Worm Gear - 16/50Z	1
32	C209 3551	Gear - 16/116Z	1
33	C209 3557	Bracket	1
34	C217 8447	DC Motor - 24V/7.2W	1
36	C200 3537	Arm Connect Shaft	1

Index No.	Part No.	Description	Q'ty Per Assembly
37	C213 3561	Master Eject Sensor Bracket	1
38	C209 3561	Master Eject Sensor	1
100	0720 0040Z	Retaining Ring - M4	
102	0434 0060Z	Tapping Screw - M4x6	
103	0720 0030Z	Retaining Ring - M3	
104	0314 0050Z	Philips Pan Head Screw - M4x5	
105	0951 3006Z	Philips Screw With Flat Washer - M3	
106	0313 0050Z	Philips Screw - 3x5	
107	0623 0120E	Spring Pin - M3x12	
108	0720 0050Z	Retaining Ring - M5	
109	0807 3041	Spring Washer	
110	0964 4008Z	Tapping Screw W/washer - M4x8	
111	0313 0030Z	Philips Pan Head Screw - M3x3	
112	0252 0080Z	Philips Pan Head Screw - M2x8	



32. Master Eject Section 2 (C222)

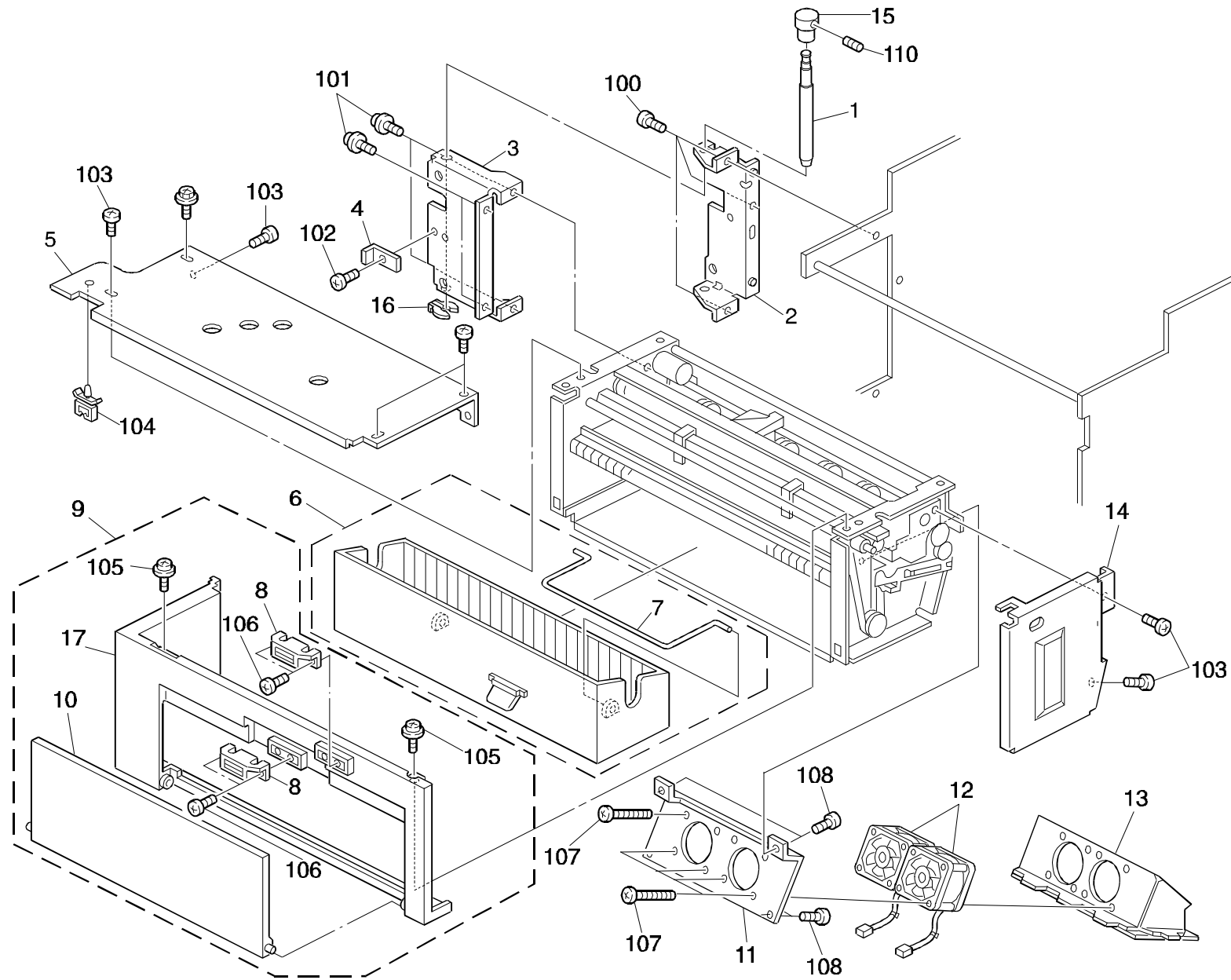


32.Master Eject Section 2 (C222)

Index No.	Part No.	Description	Q'ty Per Assembly
1	C209 3543	Rear Pressure Arm	1
2	C209 3536	Pulley	2
3	C209 3533	Plessure Plate Arm	2
4	C221 3537	Pressure Spring	2
5	C200 3712	Pulley	2
6	C209 3512	Rear Side Plate	1
7	C219 3728	Master Eject Unit Frame	1
10	C218 3532	Pulley Guide	1
12	C209 3642	Master Eject Stay - Large	1
13	C209 3539	Pressure Arm Shaft	1
14	C200 3508	Master Eject Stay - Small	1
15	C219 3531	Plessure Plate - B4/LG	1
16	C209 3532	Pressure Plate Shaft	1
17	C209 3501	Front Side Plate	1
18	C209 3554	Gear - 60Z	1
19	C209 3540	Front Pressure Arm	1
20	C209 3615	Spacer - 6X12X3	1
21	C209 3507	Master Eject Sensor Cover	3
22	C209 3643	Lock Stay	1
23	C222 3526	Sensor Bracket - Master Eject Box	1
24	AW02 0075	Photointerruptor - 175487-3	3

Index No.	Part No.	Description	Q'ty Per Assembly
100	0960 4010Z	Philips Flange Screw - M4x10	
101	0960 4005Z	Philips Flange Screw - M4x5	
102	0314 0080Z	Philips Screw - 4x8	
104	0720 0040Z	Retaining Ring - M4	
105	0720 0030Z	Retaining Ring - M3	
106	0720 0060Z	Retaining Ring - M6	
107	0434 0060Z	Tapping Screw - M4x6	
108	AW50 0012	Push Switch	
110	0314 0060Z	Philips Pan Head Screw - M4x6	
111	0720 0080Z	Retaining Ring - M8	
112	0801 1135	Philips Pan Head Screw - M3x3	
114	0720 0050Z	Retaining Ring - M5	
116	0433 0060Z	Tapping Screw - M3x6	
117	0807 4118	Flat Washer	
118	0313 0050Z	Philips Screw - 3x5	

33. Master Eject Section 3 (C222)

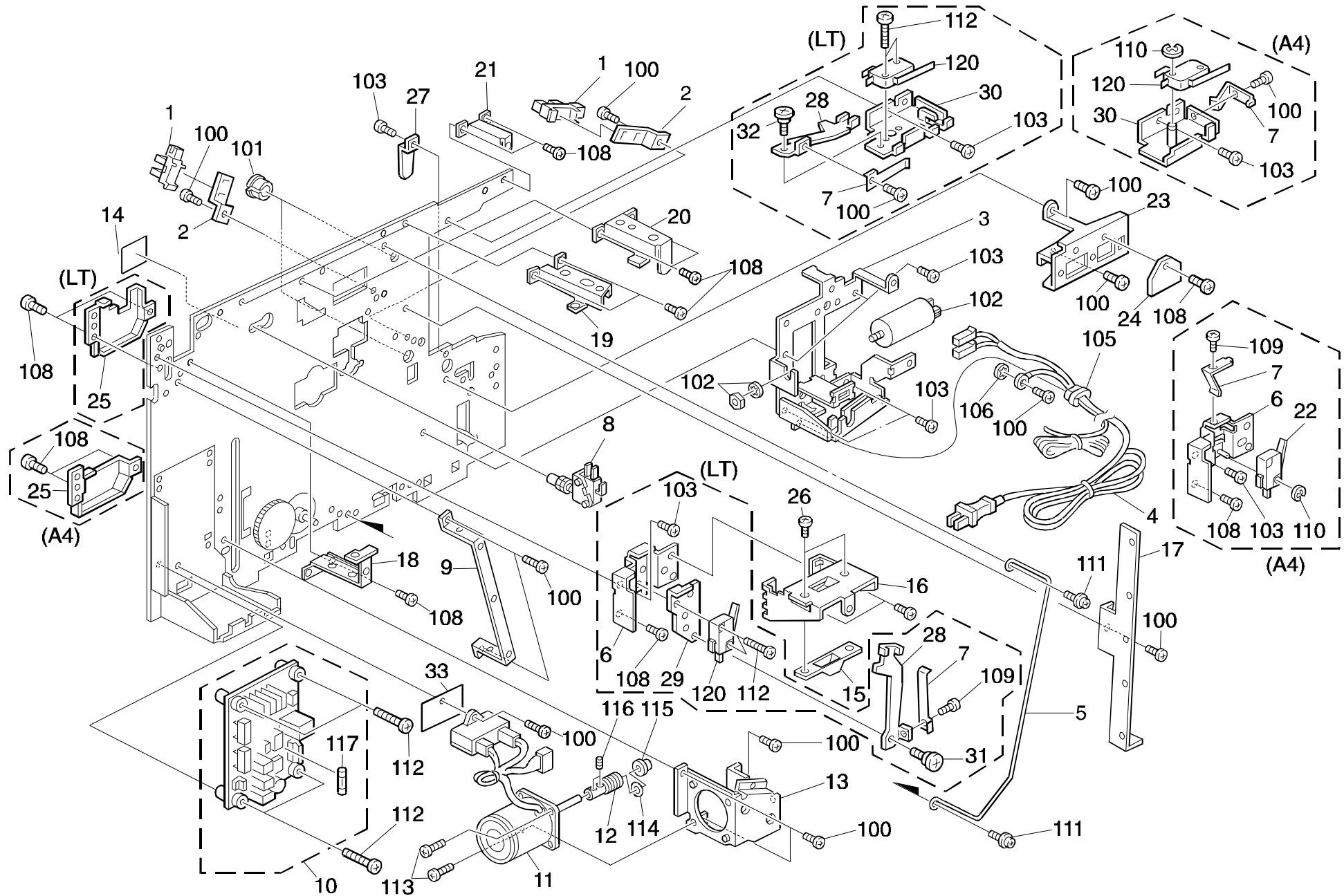


33.Master Eject Section 3 (C222)

Index No.	Part No.	Description	Q'ty Per Assembly
1	C218 3505	Hinge Shaft	1
2	C209 3671	Master Eject Hinge	1
3	C219 3680	Master Eject Hinge - Small	1
4	C209 3675	Cover Bracket	1
5	C219 3768	Upper Inner Cover	1
6	C209 3558	Master Eject Box	1
7	C203 3511	Arm - Master Eject Box	1
8	AG07 0004	Magnetic Catch	2
9	C219 2454	Master Eject Cover	1
10	C218 2455	Master Eject Door	1
11	C219 3574	Blower Fan Bracket	1
12	C222 8208	Air Knife Motor	2
13	C219 3571	Blower Duct	1
14	C219 3673	Inner Cover - Master Eject	1
15	C218 3506	Boss	1
16	C209 3133	Retaining Ring - M6	1
17	C218 2460	Master Eject Cover	1

Index No.	Part No.	Description	Q'ty Per Assembly
100	0434 0080Z	Tapping Screw - M4x8	
101	0964 4010Z	Tapping Screw W/washer - M4x10	
102	0314 0080Z	Philips Screw - 4x8	
103	0434 0060Z	Tapping Screw - M4x6	
104	1105 0108	Nylon Clip	
105	0965 3010W	Tapping Screw With Flat Washer-M3x1	
106	0434 0062W	Pan Head Tapping Screw - M4x6	
107	0313 0350Z	Pan Head Screw - M3x35	
108	0314 0060Z	Philips Pan Head Screw - M4x6	
110	0573 0040E	Hexagon Headless Set Screw - M3x4	

34. Electrical Section 1 (C222)

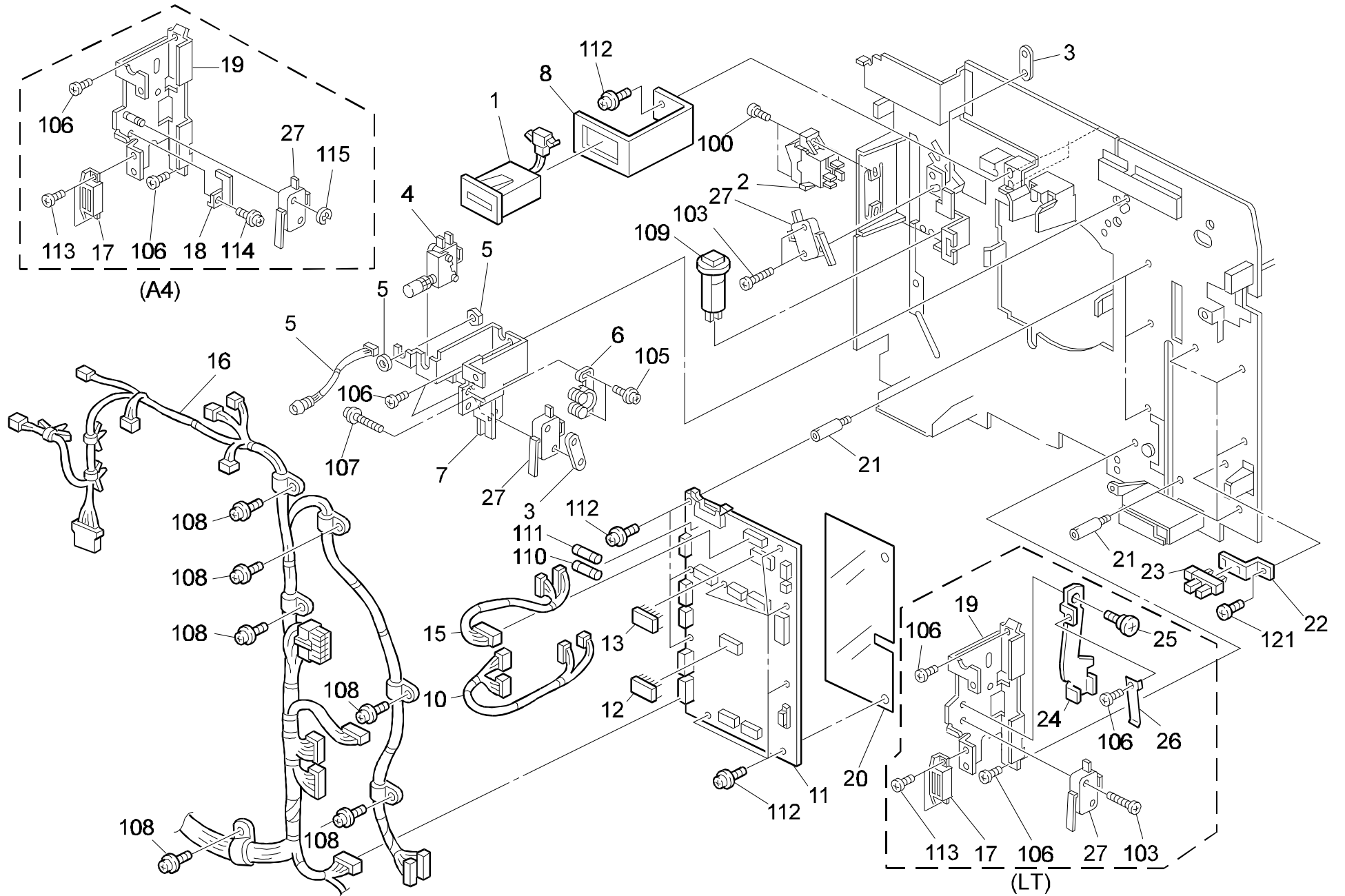


34.Electrical Section 1 (C222)

Index No.	Part No.	Description	Q'ty Per Assembly
1	AW02 0021	Photointerruptor - 175487-3	2
2	C219 2306	Drum Sensor Bracket	2
3	C219 2104	Right Grip - Master Eject	1
4	C218 8242	Power Supply Cord - 115V	1
4	C218 8252	Power Supply Cord - 230V	1
5	C203 8095	Upper Harness Supporter	1
6	C218 2004	Safety Switch Bracket	1
6	C218 2070	Safety Switch Bracket - LT	1
7	C200 3123	Support Plate - Safety Switch (A4)	1
7	C218 2173	Support Plate - Safety Switch - LT	1
8	C219 8174	Microswitch	1
9	C209 2169	Harness Bracket	1
10	C222 8092	AC Drive Board - 115V	1
10	C222 8096	AC Drive Board - 230V	1
11	C219 8212	Table Drive Motor - AC 22W 0.86A	1
12	C203 5138	Worm Gear	1
13	C203 5140	Motor Bracket	1
14	C203 2759	Master Cutter Decal	1
15	C222 2020	Scanner Stopper	1
16	C218 2015	Rear Scanner Stopper Bracket	1
17	C209 2130	Safety Cover	1
18	C218 2022	Rear Cover Left Bracket	1
19	C218 2014	Rear Left Upper Bracket	1
20	C218 2013	Rear Center Upper Bracket	1
21	C218 2012	Rear Right Upper Bracket	1
22	C219 8296	Safety Switch	1
23	C221 2128	Support Bracket	1
24	C221 2124	Cap	1
25	C218 2018	Safety Switch Cover (A4)	1
25	C218 2072	Safety Switch Cover - LT	1
26	5875 2088	Shoulder Screw - M4	3
27	C203 2128	AC Drive Board Cover	1
28	C218 2172	Safety Switch Lever - LT	2
29	C218 2071	Safety Swtich Stopper - LT	1
30	C218 2171	Safety Switch Bracket - Eject Box (1

Index No.	Part No.	Description	Q'ty Per Assembly
30	C210 2171	Safety Switch Bracket - Eject Box (1
31	C201 5125	Shoulder Screw - M4	1
32	C218 2185	Stepped Secrew	1
33	C218 8431	Insulating Sheet	1
100	0314 0080Z	Philips Screw - 4x8	
101	1106 0430	Bushing - 13mm	
102	1602 0991	Noise Filter - 115V	
102	1607 0742	Noise Filter - 230V	
103	0434 0080Z	Tapping Screw - M4x8	
105	1106 0180	Snap Bush - 3.3mm	
106	0705 0040B	Toothed Washer	
108	0314 0060Z	Philips Pan Head Screw - M4x6	
109	0313 0060Z	Philips Pan Head Screw - M3x6	
110	0720 0030Z	Retaining Ring - M3	
111	0960 4008Z	Flange Head Screw - 4x8	
112	0314 0160Z	Philips Pan Head Screw - M4x16	
113	0315 0120Z	Philips Screw - 5x12	
114	0807 4076	Washer - 8.2x6.1x0.3mm	
115	0805 3263	Bearing - 6 X 10 X 6mm	
116	0574 0040E	Hexagon Headless Set Screw - M4x4	
117	1107 0354	Fuse - 3.15A 125V	
120	1204 1442	Microswitch	

35. Electrical Section 2 (C222)

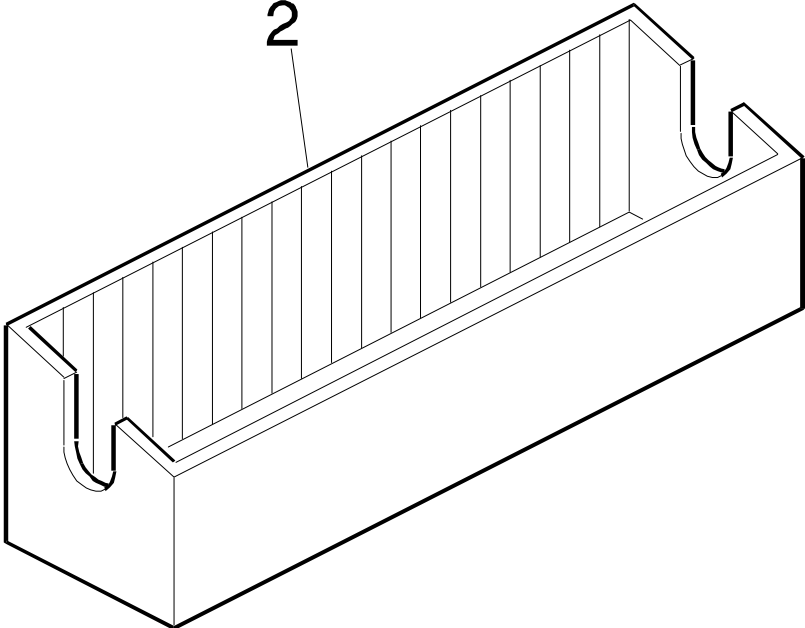
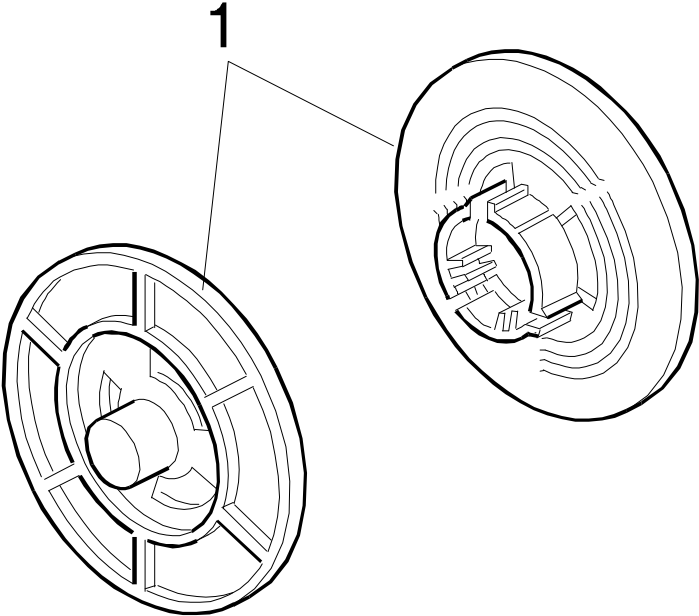


35.Electrical Section 2 (C222)

Index No.	Part No.	Description	Q'ty Per Assembly
1	C222 8462	Total Counter	1
2	C209 8276	Main Switch	1
3	5056 0509	Nut Plate - Microswitch	2
4	C219 8171	Microswitch	1
5	C209 8278	LED - Drum	1
6	C209 2469	Door Catch	1
7	C219 2418	Push Switch Bracket	1
8	C222 2160	Total Counter Bracket	1
10	C222 8127	Plotter Unit Harness	1
11	C222 8042	MPU Board	1
12	C222 8045	IC - MPU1	1
13	C222 8047	IC - MPU2	1
15	C222 8157	Thermal Head Harness	1
16	C222 8131	DC Drive Harness	1
17	AG07 0004	Magnetic Catch	4
18	C200 3755	Plate Spring	1
19	C218 2180	Safety Switch Bracket (LT)	1
19	C219 2419	Safety Switch Bracket (A4)	1
20	C222 5094	Insulating Sheet	1
21	C200 2596	Maim Board Stud - Long	1
22	C219 2306	Drum Sensor Bracket	1
23	AW02 0021	Photointerruptor - 175487-3	10
24	C218 2172	Safety Switch Lever - LT	1
25	C218 2185	Stepped Secrew	1
26	C218 2173	Support Plate - Safety Switch - LT	1
27	C219 8296	Safety Switch	1

Index No.	Part No.	Description	Q'ty Per Assembly
100	0313 0060Z	Philips Pan Head Screw - M3x6	
101	0951 3004Z	Philips Screw With Flat Washer-M3x4	
103	0313 0140Z	Philips Pan Head Screw - M3x14	
105	0951 3008Z	Philips Screw With Flat Washer - M3	
106	0434 0080Z	Tapping Screw - M4x8	
107	0960 3006Z	Philips Flange Screw - M3x6	
108	0960 4008Z	Flange Head Screw - 4x8	
109	1107 0788	Circuit Breaker - 6A	
110	1107 0411	Fuse - 2A 125V	
111	1107 0415	Fuse 5A	
112	0951 3006Z	Philips Screw With Flat Washer - M3	
113	0314 0080Z	Philips Screw - 4x8	
114	0960 3006Z	Philips Flange Screw - M3x6	
115	0720 0030Z	Retaining Ring - M3	
117	1105 0016	Nylon Clip - 4N	
120	0801 1004	Screw - M4X4	
121	0314 0060Z	Philips Pan Head Screw - M4x6	

36. Accessories And Special Tools (C222)

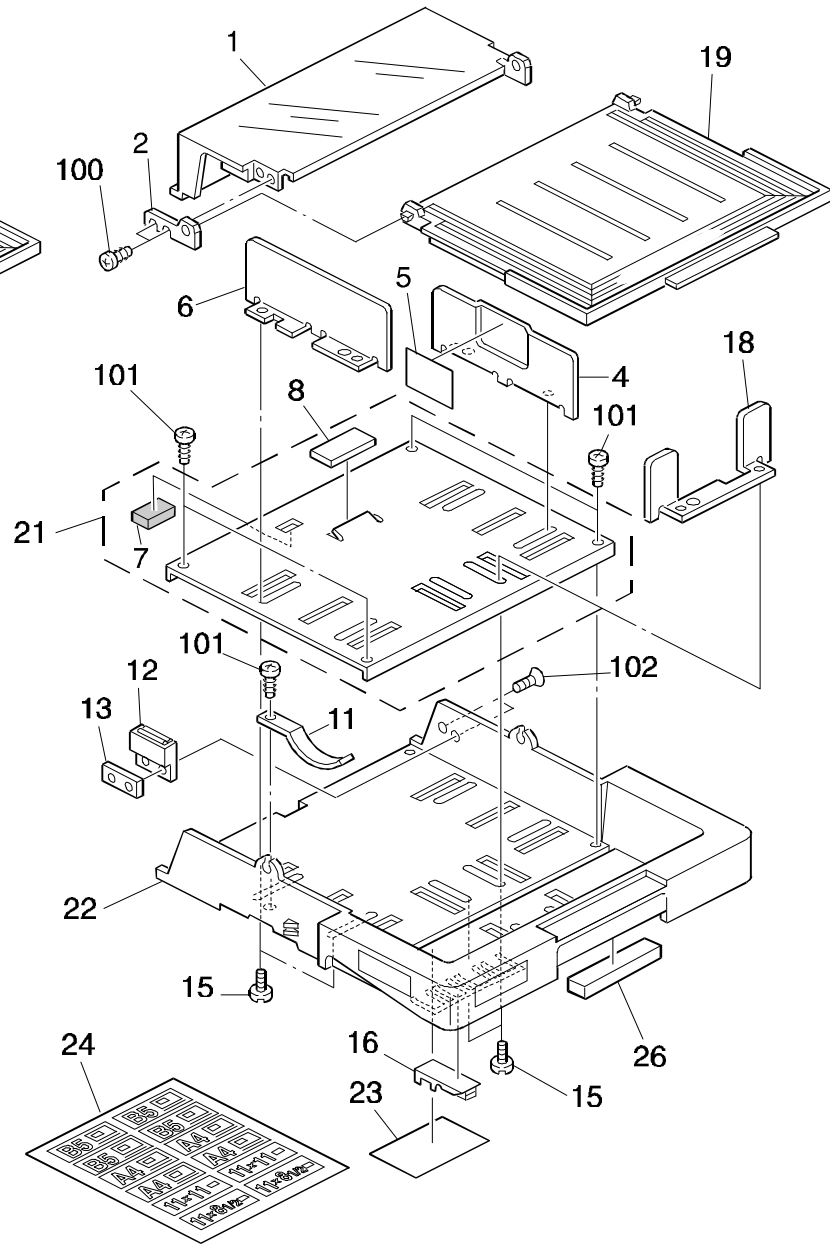
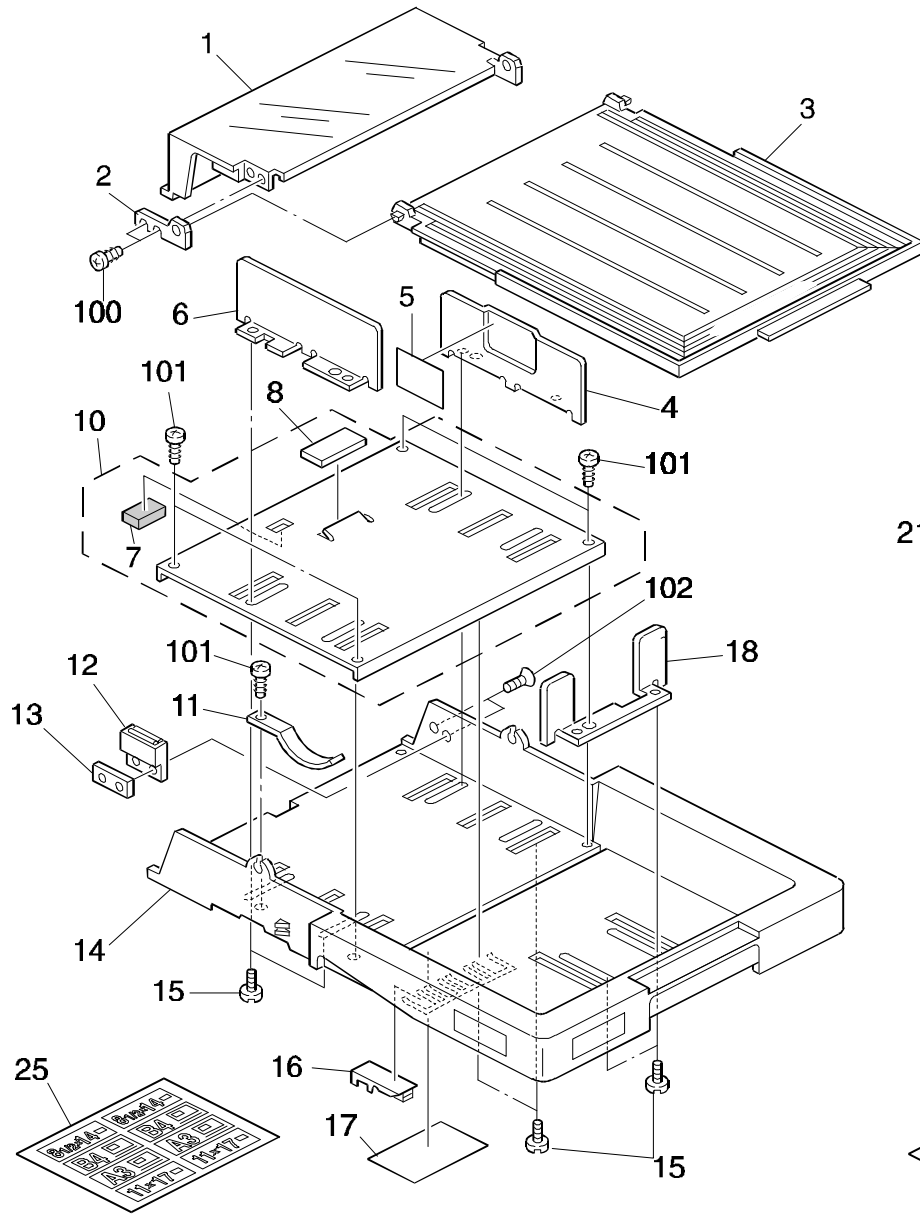


36.Accessories And Special Tools (C222)

Index No.	Part No.	Description	Q'ty Per Assembly
1	C213 4042	Master Roll Flange	1
2	C209 3558	Master Eject Box	1

Index No.	Part No.	Description	Q'ty Per Assembly

37. Cassette (C222)

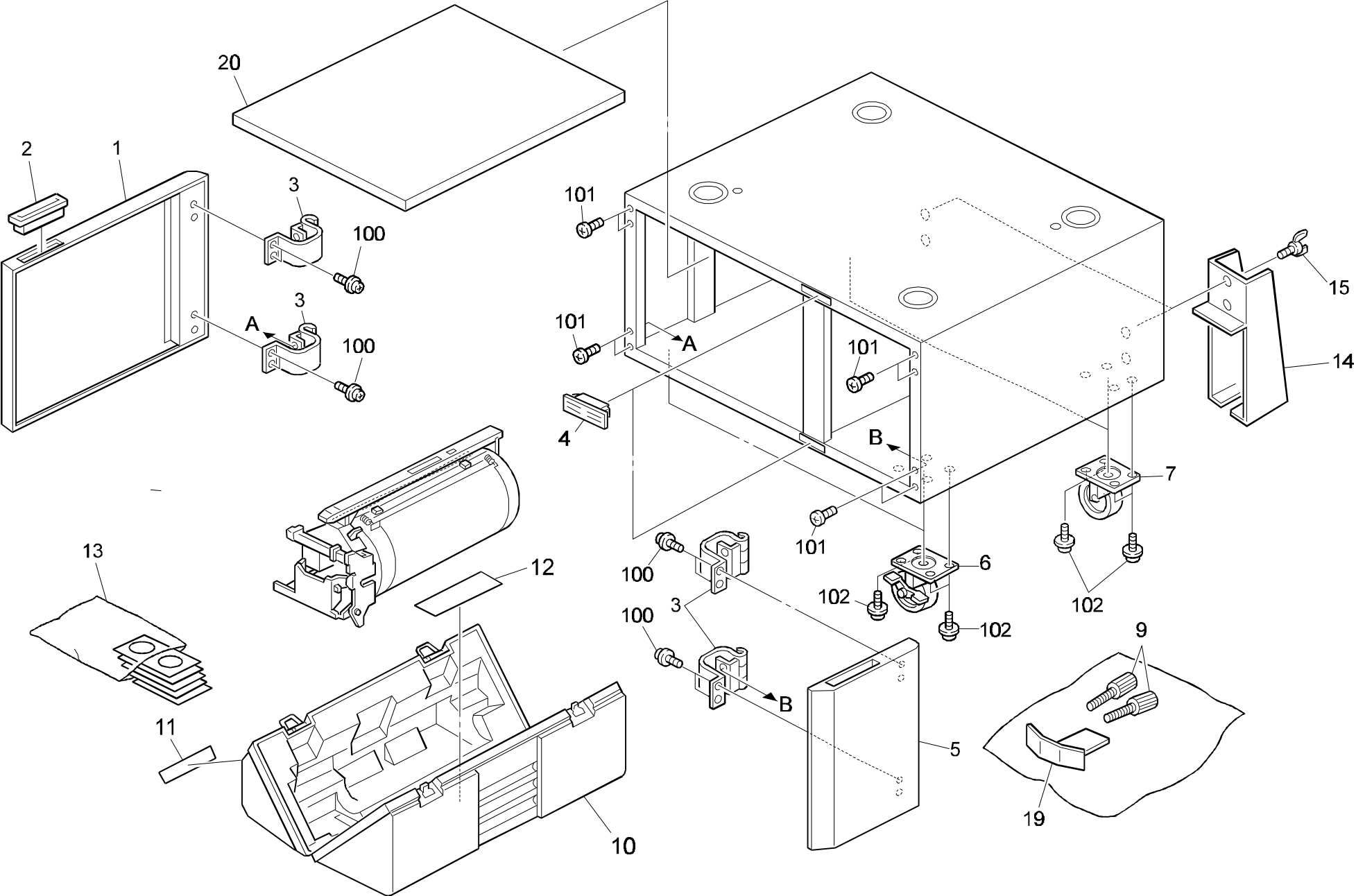


37.Cassette (C222)

Index No.	Part No.	Description	Q'ty Per Assembly
1	C209 5152	Cover Stopper - Large	2
2	C522 2417	Cover Stopper Supporter	2
3	C530 5012	Cassette Cover - Large	1
4	C209 5175	Side Frame	2
6	C522 2431	Side Fence	1
7	C522 2423	Cushion Seal - 10x19	2
8	5507 6828	Rubber Plate - Feed Table	2
10	C209 5155	Bottom Plate - Large	1
11	C522 2434	Grounding Plate	2
12	C200 3053	Magnet Catch	2
13	C522 2433	Plate Nut	2
14	C218 5151	Cassette Body - Large	1
15	C522 2435	Screw - M3	6
16	C218 5171	Magnet Holder	2
17	C218 5182	Decal - Magnet - Large	1
18	C522 2432	Rear Fence	2
19	C529 5012	Cassette Cover - Small	1
21	C209 5162	Bottom Plate - Small	1
22	C218 5164	Cassette Body - Small	1
23	C218 5183	Decal - Magnet - Small	1
24	C218 5181	Decal - Paper Size - Small	1
25	C218 5180	Decal - Paper Size - Large	1
26	C529 2195	Cushion - 100x20x10	1

Index No.	Part No.	Description	Q'ty Per Assembly
100	0433 0082Z	Tapping Screw - M3x8	
101	0412 0052Z	Tapping Screw - M3x5	
102	0323 0060Z	Philips Sunk Screw - M3x6	

38. Table Section (C222)

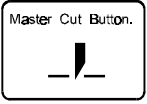
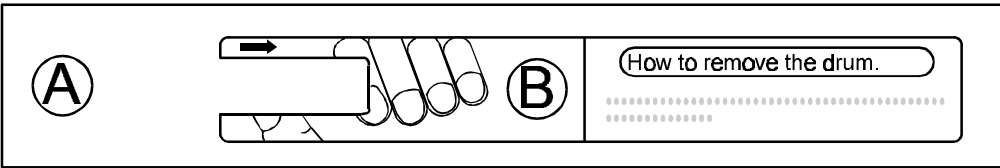

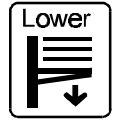

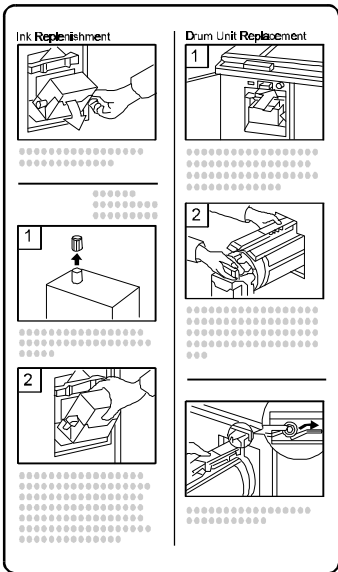
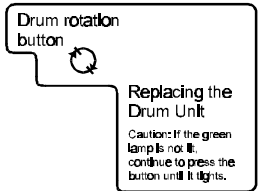
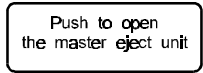
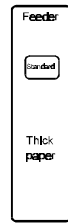


38.Table Section (C222)

Index No.	Part No.	Description	Q'ty Per Assembly
1	C546 2020	Left Door	1
2	C546 2030	Door Grip	1
3	C525 2031	Door Hinge	4
4	C525 2032	Door Catch	1
5	C546 2025	Right Door	1
6	C525 2039	Caster Stopper	2
7	C525 2038	Caster	2
9	C546 2035	Adjusting Screw	2
10	C526 2200	Option Drum Case	1
11	C526 2210	Decal - Drum Case	1
12	C526 2213	Decal - Drum Set	1
13	C526 2250	Drum Decal - Black	1
13	C526 2251	Drum Decal - Red	1
13	C526 2252	Drum Decal - Blue	1
13	C526 2253	Drum Decal - Green	1
13	C526 2254	Drum Decal - Brown	1
14	C218 2048	Support Bracket	2
15	C218 2050	Wing Screw - M4x10	4
19	C546 2081	Drum Case Handle	1
20	C546 2082	Shelf - 393.5x609	1

Index No.	Part No.	Description	Q'ty Per Assembly
100	0951 4006B	Philips Screw With Washer - M4x6	
101	0960 3008B	Philips Flange Screw - M3x8	
102	0951 5012B	Philips Screw With Flat Washer - M5x12	

39. Decal And Document (C222)

<p>1</p>  <p>Master Cut Button.</p>	<p>2</p> 			
<p>3</p> 	<p>4</p> 	<p>5</p> 		
<p>6</p> 		<p>7</p> 	<p>8</p> 	<p>9</p> 

39. Decal And Document (C222)

10

When you have set the new Master the cut Master should be removed by opening this cover
 (Caution) If the cut Master is not removed, this will cause a paper jam.

12



1

Instructions to set Master

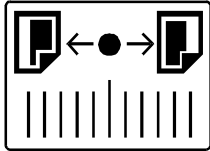
- 1
- 2
- 3
- 4
- 5
- 6
- 7

15

How to Open and Close the original table.

- 1
- 2
- 3

16

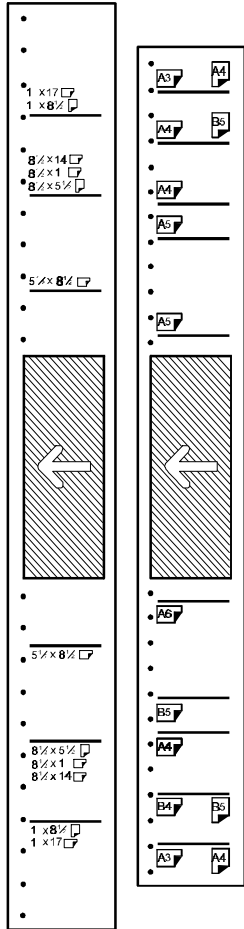


17

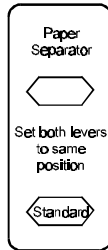
Open carefully

39. Decal And Document (C222)

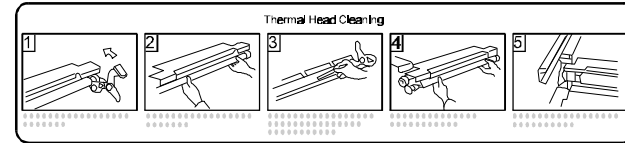
18



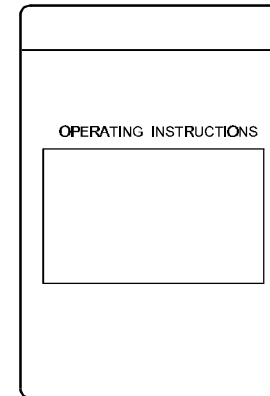
19



20



21



39.Decal And Document (C222)

Index No.	Part No.	Description	Q'ty Per Assembly
1	C203 2759	Master Cutter Decal	1
2	C201 2543	Decal - Drum Caution	1
3	C217 2514	Decal - Main Switch	1
4	C218 2819	Decal - Paper Table Down (LT)	1
4	C218 2841	Decal - Paper Table Down (A4)	1
5	C219 6083	Decal - Drum Stay	1
6	C218 2816	Decal - Drum Replacement - LT	1
7	C210 2813	Decal - Replacing The Drum Unit	1
8	C218 2825	Decal - Master Eject Open	1
9	C219 2818	Decal - Paper Separator	1
10	C222 2553	Caution Decal - Master Set	1
11	C222 2552	Decal - Master Set	1
12	C218 2820	Decal - Original Size - LT	1
12	C218 2516	Decal - Original Scale - A4	1
15	C218 2824	Decal - Original Table - LT	1
16	C203 2453	Decal - Paper Feed Table	1
17	C210 2804	Decal - Caution (LT)	1
18	C210 2806	Decal - Paper Size	1
19	C210 2791	Decal - Paper Separation	1
20	C218 2817	Decal - Replacement	1
21	C222 8607	Operating Instruction - LT English	1

Index No.	Part No.	Description	Q'ty Per Assembly

PARTS INDEX

Part No.	Description	Page and Index No.
C200 2221	Collar - Pressure Cam Shaft	19- 7
C200 2224	Plate Nut - Print Pressure Cam	19- 9
C200 2225	Pressure Cam Shaft	19- 8
C200 2232	Drive Shaft	19- 28
C200 2248	Fixing Plate	19- 4
C200 2266	Bearing Holder	21- 21
C200 2267	Spacer	19- 21
C200 2302	Image Shifting Arm - Large	21- 16
C200 2308	Image Shifting Arm - Small	21- 19
C200 2311	Image Shifting Link	21- 17
C200 2596	Maim Board Stud - Long	79- 21
C200 3053	Magnet Catch	83- 12
C200 3091	Lens - F4.5/38	57- 13
C200 3123	Support Plate - Safety Switch (A4)	77- 7
C200 3508	Master Eject Stay - Small	73- 14
C200 3529	Pulley Plate	71- 22
C200 3535	Supporter	71- 24
C200 3536	Separation Arm Bushing	71- 26
C200 3537	Arm Connect Shaft	71- 36
C200 3547	Pulley	71- 21
C200 3553	Solenoid Bracket	71- 15
C200 3554	Solenoid Arm	71- 16
C200 3606	Coupled Gear - 62T & 20T	71- 3
C200 3627	Gear - 30T	71- 2
C200 3628	Gear - 20T	71- 6
C200 3629	Gear - 20T	53- 10
C200 3712	Pulley	73- 5
C200 3716	Cushion Shaft	17- 20
C200 3755	Plate Spring	79- 18
C200 3953	Middle Lever	41- 17
C200 3954	Lower Lever	41- 20
C200 3956	Middle Lever Spring	41- 18
C200 3957	Lower Lever Spring	41- 21
C200 4184	Tension Spring	67- 15
C200 4520	Lock Pin - Drum	17- 10

Part No.	Description	Page and Index No.
C200 4551	Slide Guide	35- 2
C200 4561	Clamper Spring	35- 4
C200 4613	Rear Side Plate - Drum	51- 2
C200 4625	Drum Rail	51- 25
C200 4627	Drum Rail Shaft	51- 17
C200 4631	Left Arm - Drum Lock	49- 12
C200 4632	Right Arm - Drum Lock	49- 15
C200 4633	Drum Lock Shaft - Long	49- 13
C200 4635	Drum Lock Spring - Right	49- 14
C200 4638	Drum Lock Shaft - Small	49- 20
C200 4650	Drum Shaft	51- 19
C200 4653	Drum Shaft Bracket	51- 3
C200 4672	Gear - 48T	51- 11
C200 4674	Drive Flange - Ink Roller	51- 10
C200 4682	Screen Front Plate	51- 33
C200 4683	Screen Rear Plate	51- 35
C200 4715	Shaft Stay - Ink Roller	53- 7
C200 4722	Drum Doctor Roller	53- 15
C200 4723	Adjusting Plate - Doctor Roller	53- 11
C200 4733	Ink Detector Bracket	53- 6
C200 4748	Gear - 45T	53- 8
C200 4749	Ground Plate	53- 1
C200 4813	Support Plate - Ink Antechamber	47- 23
C200 4814	Bushing - 6x10x55mm	47- 4
C200 4826	Pump Rubber	47- 25
C200 4861	Pump Clutch Sleeve	47- 13
C200 4862	Ink Stopper	47- 10
C200 4864	Bracket - Ink Supply Solenoid	47- 7
C200 4914	Drum Stopper Spring	47- 3
C200 4924	Right Shaft - Ink Holder	47- 30
C200 4926	Ink Holder Cam	47- 17
C200 4942	Pinion - 9T	51- 34
C200 4944	Sector Gear - 9T	51- 6
C200 4945	Sector Gear Spring	51- 7
C200 4946	Clamper Sector Shaft	51- 5

Part No.	Description	Page and Index No.
C200 5025	Paper Feed Plate Shield	23- 4
C200 5042	Rear Shaft - Paper Feed	25- 28
C200 5096	Worm Wheel Gear - 18T	29- 22
C200 5137	Left Bracket - Guide Plate	33- 14
C200 5138	Right Bracket - Guide Plate	33- 17
C200 5150	Bushing - 7x18x9mm	33- 3
C200 5153	Bushing Supporter	33- 1
C200 5154	Left Spring Arm	33- 7
C200 5155	Right Spring Arm	33- 29
C200 5205	Paper Feed Spring	35- 26
C200 5222	Sector Spring	21- 24
C200 5222	Sector Spring	35- 29
C200 5223	Lift Cam	21- 26
C200 5225	Bracket - Paper Feed Solenoid	35- 16
C200 5226	Link - Paper Feed Solenoid	35- 13
C200 5235	Paper Feed Solenoid Spring	35- 14
C200 5287	Rubber Plate - Paper Feed	25- 5
C200 5335	Side Plate Slider	25- 22
C200 5503	Paper Detecting Shaft	33- 22
C200 5504	Paper Detecting Pin	33- 21
C200 5526	Print Pressure Bushing	37- 2
C200 5541	Print Pressure Arm	37- 16
C200 5565	Print Pressure Stopper	35- 11
C200 5566	Pressure On/Off Lever	37- 15
C200 6002	Adjusting Arm	37- 10
C200 6004	Exit Pawl Lever	45- 18
C200 6058	Gear - 28T	45- 22
C200 6059	Pulley - 25T	45- 26
C200 8520	Ink Detector Harness	53- 4
C200 8522	Ground Wire	51- 38
C200 8524	Color Drum Harness (Option)	51- 1
C201 2211	Stud	21- 10
C201 2217	Gear - 50T	19- 6
C201 2221	Gear - 40T	21- 8
C201 2222	Coupled Gear - 20T & 60T	21- 9

Part No.	Description	Page and Index No.
C201 2229	Gear - 50T	21- 15
C201 2425	Adjusting Lever	27- 8
C201 2543	Decal - Drum Caution	51- 14
C201 2543	Decal - Drum Caution	87- 2
C201 3527	Pressure Spring	71- 25
C201 3529	Lower Pulley Shaft	71- 19
C201 4067	Pump Clutch Collar	47- 14
C201 4531	Drum Stopper Pawl	17- 3
C201 4532	Drum Stopper Roller	17- 4
C201 4533	Drum Stopper Spring	17- 2
C201 4604	Drum Rail Roller	51- 16
C201 4606	Stopper Releasing Plate	17- 6
C201 4606	Stopper Releasing Plate	51- 23
C201 4609	Stopper Relasing Lever	51- 21
C201 4610	Drum Slider Spring	51- 24
C201 4613	Drum Rail Cover	51- 13
C201 4636	Drum Unit Handle	49- 23
C201 4639	Ink Holder Handle	47- 28
C201 4664	Ink Roller Stay	53- 16
C201 4665	Bearing Holder	53- 9
C201 4666	Drum Ink Roller	53- 17
C201 4676	Clutch Spring	47- 12
C201 4679	Ink Pump Slider	47- 21
C201 4682	Ink Cartridge Spring	47- 29
C201 5015	Seal - M10	25- 6
C201 5045	Rear Gear Support	29- 21
C201 5046	Front Gear Support	29- 23
C201 5051	Pinion - 24T	29- 17
C201 5073	Arm Balancer - Feed Roller	27- 21
C201 5075	Guide Plate Bracket	31- 1
C201 5080	Separation Roller Pressure Spring	35- 48
C201 5101	Link	35- 19
C201 5125	Shoulder Screw - M4	25- 32
C201 5125	Shoulder Screw - M4	33- 2
C201 5125	Shoulder Screw - M4	33- 8

Part No.	Description	Page and Index No.
C201 5125	Shoulder Screw - M4	35- 36
C201 5125	Shoulder Screw - M4	77- 31
C201 5134	Bearing Holder	33- 4
C201 5142	Lift Arm - Feed Roller	33- 23
C201 5145	Lift Arm Spring	33- 24
C201 5505	Height Sensor Bracket	33- 28
C201 5550	Printing Pressure Stay	37- 8
C201 5555	Press Roller	37- 4
C201 8062	Ink Supply Solenoid	47- 8
C203 2083	Exit Pawl Bushing	35- 32
C203 2083	Exit Pawl Bushing	45- 19
C203 2096	Bottom Stay Nut	15- 16
C203 2128	AC Drive Board Cover	77- 27
C203 2215	Gear - 18T	19- 18
C203 2309	Pulse Disk	29- 19
C203 2311	Gear Flange	19- 19
C203 2312	Pulley	19- 11
C203 2316	Timing Belt	19- 12
C203 2317	Pulley - 26Z	19- 5
C203 2326	Gear - 90Z	19- 14
C203 2327	Pulley Flange	19- 13
C203 2453	Decal - Paper Feed Table	23- 13
C203 2453	Decal - Paper Feed Table	87- 16
C203 2759	Master Cutter Decal	77- 14
C203 2759	Master Cutter Decal	87- 1
C203 3501	Tension Spring	71- 13
C203 3511	Arm - Master Eject Box	75- 7
C203 4013	Brake Plate	63- 21
C203 4038	Master Guide - Large	67- 17
C203 4060	Tension Release Slider	67- 6
C203 4511	Spring Plate Supporter	17- 15
C203 4512	Grounding Spring Plate	17- 16
C203 4515	Drum Clamper Roller	35- 1
C203 4524	Screen Plate Spring	51- 39
C203 4543	Ink Detector	53- 5

Part No.	Description	Page and Index No.
C203 5043	Pick-up Roller Shaft	27- 36
C203 5045	Bushing - 18x24x28mm	27- 12
C203 5055	Actuator - Paper Feed Table	27- 19
C203 5062	Left Arm - Separation	29- 4
C203 5066	Right Arm - Separation	29- 9
C203 5113	Bushing - 6x9x3mm	25- 19
C203 5114	Bushing - 3x6x3mm	25- 21
C203 5121	Bushing - 8x12x9mm	25- 15
C203 5122	Front Shaft - Paper Feed	25- 29
C203 5126	Right Rack - Paper Feed	25- 34
C203 5128	Left Rack - Paper Feed	25- 14
C203 5131	Gear Cover	25- 38
C203 5133	Paper Feed Table Shaft	29- 18
C203 5135	Bushing - 10x14x5.9	29- 1
C203 5138	Worm Gear	77- 12
C203 5140	Motor Bracket	77- 13
C203 5142	Rack Shaft	25- 12
C203 5170	Feed Cam Shaft	21- 12
C203 5184	Sector Gear	21- 25
C203 5194	Shoulder Screw - M4	35- 24
C203 5198	Feed Roller Brake Ass'y	33- 19
C203 5200	Tension Roller	27- 26
C203 5201	Tension Arm	27- 25
C203 5205	Belt Tensioner Ass'y	27- 22
C203 5208	Tension Bracket	27- 23
C203 5215	Tension Spring	27- 24
C203 5220	Gear - 18T	27- 39
C203 5225	Spacer - Tension - Paper Feed	27- 44
C203 5507	Shielding Plate	37- 1
C203 5509	Press Roller Ass'y	37- 14
C203 6004	Pawl Cam	37- 11
C203 6060	Vacuum Drive Bracket	17- 23
C203 6060	Vacuum Drive Bracket	45- 27
C203 6065	Pulley Flange	39- 5
C203 8095	Upper Harness Supporter	77- 5

Part No.	Description	Page and Index No.
C203 8137	Master Sensor	69- 21
C203 8453	Rectification Brush	29- 3
C207 2207	Pulley - 12Z	19- 23
C207 2209	Pulley - 60Z	19- 20
C207 2210	Timing Belt - 100S4.5M297	19- 24
C207 2211	Bearing Stopper	19- 25
C207 3559	Sensor Bracket	71- 10
C207 3604	Pulley - 40Z	71- 5
C207 3612	Timing Belt - B30S2M126	71- 4
C207 4150	Fixing Screw	65- 20
C207 4550	Sensor Sheet - 8x20	51- 43
C207 4611	Front Stopper Guide	51- 15
C207 4664	Front Side Plate - Ink Roller	53- 12
C207 4665	Rear Side Plate - Ink Roller	53- 2
C207 4670	Gear - 24Z	53- 19
C207 4672	Gear - 36Z	53- 20
C207 4938	Clamper Plate	51- 29
C207 5008	Pressure Plate	31- 17
C207 5009	Pressure Plate Holder	31- 16
C207 5010	Adjusting Screw	31- 19
C207 5011	Adjusting Plate	31- 18
C207 5012	Pressure Spring	31- 20
C207 5013	Pressure Spring - Paper Feed	31- 15
C207 5070	Separation Roller Pressure Spring	29- 6
C207 5125	Guide Plate Spacer	33- 13
C207 8451	Main Motor - DC80w	29- 2
C209 2006	Spacer	15- 35
C209 2061	Left Grip - Paper Feed	15- 6
C209 2130	Safety Cover	77- 17
C209 2169	Harness Bracket	77- 9
C209 2216	Driver Shaft	19- 17
C209 2304	Support Side Plate	21- 20
C209 2308	Support Bracket - Rear Cover	19- 27
C209 2309	Support Side Plate	19- 26
C209 2321	Bracket - Image Shifting	21- 7

Part No.	Description	Page and Index No.
C209 2325	Motor Bracket	21- 3
C209 2411	Right Cover Support Bracket	11- 13
C209 2413	Right Cover Bracket	15- 5
C209 2428	Magnet Catch Plate	11- 6
C209 2432	Upper Hinge Bracket	11- 7
C209 2435	Lower Hinge Bracket	11- 9
C209 2469	Door Catch	11- 5
C209 2469	Door Catch	79- 6
C209 2470	Left Cover Cap	11- 11
C209 3133	Retaining Ring - M6	59- 18
C209 3133	Retaining Ring - M6	75- 16
C209 3501	Front Side Plate	73- 17
C209 3507	Master Eject Sensor Cover	73- 21
C209 3512	Rear Side Plate	73- 6
C209 3532	Pressure Plate Shaft	73- 16
C209 3533	Pressure Plate Arm	73- 3
C209 3536	Pulley	73- 2
C209 3539	Pressure Arm Shaft	73- 13
C209 3540	Front Pressure Arm	73- 19
C209 3543	Rear Pressure Arm	73- 1
C209 3545	Gear - 62Z	71- 1
C209 3550	Worm Gear - 16/50Z	71- 31
C209 3551	Gear - 16/116Z	71- 32
C209 3554	Gear - 60Z	73- 18
C209 3557	Bracket	71- 33
C209 3558	Master Eject Box	75- 6
C209 3558	Master Eject Box	81- 2
C209 3561	Master Eject Sensor	71- 38
C209 3615	Spacer - 6X12X3	73- 20
C209 3642	Master Eject Stay - Large	73- 12
C209 3643	Lock Stay	73- 22
C209 3661	Solenoid Plate	71- 14
C209 3671	Master Eject Hinge	75- 2
C209 3675	Cover Bracket	75- 4
C209 4027	Master End Sensor Bracket	63- 29

Part No.	Description	Page and Index No.
C209 4040	Left Adjusting Plate	63- 9
C209 4059	Lever Knob	63- 33
C209 4072	Gear - 24Z	67- 24
C209 4075	Left Arm - Tension Release	67- 8
C209 4076	Tension Release Arm	63- 35
C209 4076	Tension Release Arm	67- 10
C209 4087	Guide Plate Roller	57- 26
C209 4087	Guide Plate Roller	61- 17
C209 4114	Gear - 20/27Z	69- 19
C209 4115	Gear - 30Z	67- 2
C209 4116	Spacer - 6x36x0.3	67- 1
C209 4128	Harness Bracket	69- 5
C209 4139	Spring Plate	63- 6
C209 4180	Thermal Head Spacer	63- 3
C209 4321	Antistatic Brush	67- 19
C209 4516	Slide Guide - Drive Shaft	35- 31
C209 4529	Drum Stopper	47- 2
C209 4616	Side Plate Cover - Drum	49- 1
C209 4617	Lower Cover - Drum Side Plate	49- 10
C209 4620	Upper Cover - Drum Side Plate	49- 2
C209 4624	Front Side Plate	49- 9
C209 4634	Drum Lock Spring - Left	49- 11
C209 4637	Right Stopper - Drum Lock	49- 19
C209 4638	Left Stopper - Drum Lock	49- 21
C209 4639	Release Lever - Drum Lock	49- 18
C209 4641	Ink Holder	47- 31
C209 4642	Drum Lock Spring	49- 22
C209 4673	Gear - 62Z	51- 26
C209 4674	Gear - 25Z	47- 11
C209 4677	Clutch Bracket	47- 15
C209 4681	Stopper Plate	51- 20
C209 4711	Hose Band	45- 11
C209 4713	Hose Band	47- 24
C209 4817	Ink Tube - Small	47- 22
C209 4852	Gear - 46Z	47- 5

Part No.	Description	Page and Index No.
C209 4867	Gear - 64Z	47- 18
C209 4923	Right Shaft - Ink Holder	47- 26
C209 4930	Seal - 0.1x5x17	47- 27
C209 5018	Separation Plate	31- 22
C209 5047	Switch Bracket - Paper Table	23- 12
C209 5050	Paper Guide Rack	25- 24
C209 5053	Arm - Paper Table	25- 30
C209 5055	Bracket - Paper Size	23- 10
C209 5058	Paper Size Plate	25- 23
C209 5082	Paper Feed Guide - Left Side	25- 8
C209 5085	Paper Feed Guide - Right Side	25- 10
C209 5090	Rubber Plate - Paper Feed Guide	25- 4
C209 5092	Rubber Plate Lever	25- 7
C209 5152	Cover Stopper - Large	83- 1
C209 5155	Bottom Plate - Large	83- 10
C209 5162	Bottom Plate - Small	83- 21
C209 5175	Side Frame	83- 4
C209 5200	Gear - 14Z	33- 25
C209 5205	Left Lever Bracket	29- 14
C209 5206	Right Lever Bracket	29- 11
C209 5207	Spring Plate - Left Lever	29- 15
C209 5208	Spring Plate - Right Lever	29- 10
C209 5209	Separation Pressure Lever	29- 13
C209 5210	Left Lever Cover	29- 16
C209 5211	Right Lever Cover	29- 12
C209 5220	Spacer - 4x20x6	27- 1
C209 5235	Paper Table Holder	25- 35
C209 5515	Paper Detecting Arm	33- 27
C209 5521	Joint Shaft	37- 17
C209 5543	Press Roller Spring Link	37- 18
C209 6067	Timing Belt - 220XL025G	45- 25
C209 6104	Exit Cam Shaft	41- 2
C209 6107	Left Exit Cam	41- 27
C209 6110	Right Exit Cam	41- 1
C209 6112	Left Adjusting Lever	41- 29

Part No.	Description	Page and Index No.
C209 6113	Right Adjusting Lever	41- 5
C209 6114	Tension Spring	41- 3
C209 6115	Left Adjusting Lever Spring	41- 30
C209 6116	Right Adjusting Lever Spring	41- 4
C209 6126	Stud - M4	43- 30
C209 6136	Magnet Plate	43- 19
C209 6137	Magnet Catch Cover	43- 37
C209 6141	Guide Fence Rail	43- 26
C209 6142	Guide Fence Slider	43- 16
C209 6142	Guide Fence Slider	43- 27
C209 6143	Guide Fence Knob	43- 25
C209 6144	Guide Fence Shaft	43- 14
C209 6144	Guide Fence Shaft	43- 24
C209 6145	Guide Fence Bracket	43- 29
C209 6149	Guide Fence Spring	43- 28
C209 6150	End Fence Spring	43- 17
C209 6151	End Fence Support Rail	43- 15
C209 6153	Bracket - Support End Fence	43- 18
C209 6156	Sponge Seal - 4.5x65x175	43- 2
C209 6157	End Fence Shaft	43- 3
C209 6158	End Fence Bracket	43- 6
C209 6159	End Fence Spring - Large	43- 5
C209 6160	End Fence Base	43- 4
C209 6161	Left Rail - End Fence (A4)	43- 12
C209 6162	Right Rail - End Fence (A4)	43- 7
C209 6163	Spacer - 10x18x1	43- 8
C209 6163	Spacer - 10x18x1	43- 39
C209 6164	Rail Spring - End Fence	43- 9
C209 6168	End Fence Washer	43- 10
C209 6175	Stud - M4	41- 16
C209 6176	Delivery Table Angle	41- 15
C209 6177	Stud - M4x11	41- 12
C209 6178	Spacer 8x20x2	41- 14
C209 6179	Spacer - 4x18x2	41- 11
C209 6180	Spring Washer - M8	41- 13

Part No.	Description	Page and Index No.
C209 6181	Front Guide Plate	43- 22
C209 6182	Rear Guide Fence	43- 23
C209 6183	Small End Fence	43- 13
C209 6184	End Fence	43- 1
C209 6188	Sensor Actuator - Delivery Table	41- 24
C209 6193	Lock Arm - Delivery Table Sensor	41- 28
C209 6196	Actuator Link - Delivery Table	41- 25
C209 6213	Piston Pin - Air Pump	45- 3
C209 6223	Exit Pawl Bracket	45- 28
C209 6225	Hose Clamp	45- 17
C209 8117	Drum Master Detection Sensor	17- 12
C209 8117	Drum Master Detection Sensor	71- 11
C209 8197	Paper Size Sensor Harness	23- 11
C209 8224	Drum Clamper Solenoid	35- 6
C209 8260	Micro Motor - Master Eject	71- 18
C209 8262	Release Solenoid	35- 15
C209 8269	Master Eject Solenoid	71- 12
C209 8276	Main Switch	79- 2
C209 8278	LED - Drum	79- 5
C209 8280	Image Position Sensor	21- 6
C209 8288	Table Down Switch	27- 4
C209 8294	Safety Switch	17- 27
C209 8295	Safety Switch Relay Harness	17- 26
C210 2091	Harness Cover	17- 44
C210 2171	Safety Switch Bracket - Eject Box (77- 30
C210 2177	Right Grip Cover	15- 38
C210 2186	Right Cover Bracket	17- 45
C210 2791	Decal - Paper Separation	31- 2
C210 2791	Decal - Paper Separation	87- 19
C210 2804	Decal - Caution (LT)	87- 17
C210 2805	Decal - Paper Size	23- 6
C210 2806	Decal - Paper Size	87- 18
C210 2813	Decal - Replacing The Drum Unit	87- 7
C210 6253	Delivery Table	43- 20
C210 6254	Left Rail - End Fence (LT)	43- 12

Part No.	Description	Page and Index No.
C210 6255	Right Rail - End Fence (LT)	43- 7
C211 2211	Feed Cam Ass'y	21- 29
C213 2218	Stud & Gear - 30T	19- 2
C213 2330	Drum Drive Pulley - Ass'y	19- 1
C213 3561	Master Eject Sensor Bracket	71- 37
C213 4040	Master Holder	65- 17
C213 4042	Master Roll Flange	65- 18
C213 4042	Master Roll Flange	81- 1
C213 4045	Lower Reverse Roller	69- 16
C213 4810	Ink Antechamber	47- 20
C213 5110	Paper Feed Cam	21- 13
C213 5120	Second Feed Roller Cam	21- 14
C213 5560	Print Pressure Cam	19- 10
C213 6037	Air Piston Ass'y	45- 1
C213 6038	Piston Link	45- 2
C213 6040	Piston	45- 4
C213 6041	Oring - 33.7	45- 6
C213 6042	Piston Valve	45- 5
C213 6043	Air Pamp Cylinder	45- 7
C215 2080	Soleroid Bracket	35- 7
C215 3040	Lens Block	57- 14
C215 4511	Dram Lock Lever	17- 14
C215 4514	Drun Lock Knob	17- 11
C215 4515	Drum Lock Link	17- 5
C215 4517	Connector Lock Arm	35- 39
C215 4528	Plate Spring - Drum Rail	17- 18
C215 4532	Locking Arm	17- 34
C215 4533	Spring Plate	17- 33
C215 4535	Connector Bracket	35- 41
C215 4536	Ink Detecting Board Bracket	35- 34
C215 4537	Connector Lock Lever	35- 40
C215 4538	Slide Lock Arm	35- 37
C215 4539	Connector Spring	35- 35
C215 4557	Spring	53- 21
C215 4690	Metal Screen	51- 18

Part No.	Description	Page and Index No.
C215 4950	Drum Clamper Base Ass'y	51- 32
C215 8116	Ink Detecting Board	35- 8
C216 2018	Transformer Bracket	17- 42
C217 2453	Rear Cover Cap - Small	11- 26
C217 2454	Rear Cover Cap - Large	11- 27
C217 2455	Key Counter Cover	11- 8
C217 2514	Decal - Main Switch	11- 15
C217 2514	Decal - Main Switch	87- 3
C217 4592	Front Bank Plate	53- 14
C217 4594	Rear Bank Plate	53- 3
C217 4598	Front Drum Blade	53- 13
C217 4599	Rear Drum Blade	53- 18
C217 5102	Spring Washer	55- 23
C217 8447	DC Motor - 24V/7.2W	71- 34
C218 2004	Safety Switch Bracket	77- 6
C218 2012	Rear Right Upper Bracket	77- 21
C218 2013	Rear Center Upper Bracket	77- 20
C218 2014	Rear Left Upper Bracket	77- 19
C218 2015	Rear Scanner Stopper Bracket	77- 16
C218 2018	Safety Switch Cover (A4)	77- 25
C218 2022	Rear Cover Left Bracket	77- 18
C218 2024	Flat Cable Cover	17- 8
C218 2026	Grounding Bracket	11- 34
C218 2029	Scanner Stopper Unit	17- 38
C218 2034	Clamp	39- 13
C218 2035	Scanner Stopper Bracket	17- 46
C218 2039	Cushion Stopper	17- 22
C218 2040	Cushion	17- 31
C218 2041	Scanner Guide Plate	17- 37
C218 2042	Absorber Pin	17- 32
C218 2043	Spacer	17- 35
C218 2044	Shock Absorber	17- 36
C218 2047	Lift Moter Cover	21- 28
C218 2048	Support Bracket	85- 14
C218 2050	Wing Screw - M4x10	85- 15

Part No.	Description	Page and Index No.
C218 2070	Safety Switch Bracket - LT	77- 6
C218 2071	Safety Swtich Stopper - LT	77- 29
C218 2072	Safety Switch Cover - LT	77- 25
C218 2099	Transformer Cover	17- 43
C218 2160	Upper Lever	41- 22
C218 2164	2nd Left Side Plate	41- 23
C218 2171	Safety Switch Bracket - Eject Box (77- 30
C218 2172	Safety Switch Lever - LT	77- 28
C218 2172	Safety Switch Lever - LT	79- 24
C218 2173	Support Plate - Safety Switch - LT	77- 7
C218 2173	Support Plate - Safety Switch - LT	79- 26
C218 2180	Safety Switch Bracket (LT)	79- 19
C218 2185	Stepped Secrew	77- 32
C218 2185	Stepped Secrew	79- 25
C218 2405	Lower Cover- Operation Panel	11- 18
C218 2423	Paper Feed Table Cover	23- 8
C218 2450	Right Cover	11- 32
C218 2455	Master Eject Door	75- 10
C218 2460	Master Eject Cover	75- 17
C218 2500	Scanner Upper Cover	55- 11
C218 2515	Scanner Right Cover	55- 7
C218 2516	Decal - Original Scale - A4	55- 25
C218 2516	Decal - Original Scale - A4	87- 12
C218 2522	Cushion - Large	55- 2
C218 2524	Cushion - Small	55- 8
C218 2525	Stepped Screw - M4	55- 24
C218 2535	Scanner Left Cover	55- 1
C218 2560	Scanner Rear Cover	55- 5
C218 2750	Front Left Cover	11- 35
C218 2803	Left Front Cover - LT	11- 12
C218 2807	Platen Cover Ass'y	13- 0
C218 2809	Main Switch Cover	11- 16
C218 2816	Decal - Drum Replacement - LT	87- 6
C218 2817	Decal - Replacement	11- 19
C218 2817	Decal - Replacement	87- 20

Part No.	Description	Page and Index No
C218 2819	Decal - Paper Table Down (LT)	27- 6
C218 2819	Decal - Paper Table Down (LT)	87- 4
C218 2820	Decal - Original Size - LT	55- 25
C218 2820	Decal - Original Size - LT	87- 12
C218 2824	Decal - Original Table - LT	13- 11
C218 2824	Decal - Original Table - LT	87- 15
C218 2825	Decal - Master Eject Open	87- 8
C218 2827	Decal - Master Feed	63- 36
C218 2832	Left Front Cover (A4)	11- 12
C218 2841	Decal - Paper Table Down (A4)	87- 4
C218 3003	Seal - 28x40	61- 25
C218 3014	Scanner Stopper Lever	61- 11
C218 3017	Scanner Grip Rail	59- 29
C218 3018	Seal - 40x131	55- 22
C218 3020	Stopper Pin	61- 16
C218 3021	Support Plate	61- 27
C218 3022	Scanner Stopper Shaft	61- 26
C218 3024	Scanner Front Stay	61- 23
C218 3025	Contact Grass Cushion	61- 8
C218 3028	Scanner Rear Stay	61- 7
C218 3031	Stud	61- 10
C218 3034	H.P Sensor Bracket	55- 14
C218 3036	H.P Sensor Cover	55- 13
C218 3037	Flat Cable Cover	55- 10
C218 3039	Flat Cable Clamp	17- 9
C218 3039	Flat Cable Clamp	57- 22
C218 3041	Right Bracket	55- 6
C218 3044	Cover Cushion	55- 21
C218 3045	Guide Mylar	55- 20
C218 3046	Original Exit Guide	55- 3
C218 3051	Philips Screw - M3	59- 38
C218 3052	Front Fixed Arm	59- 36
C218 3053	Arm - Carriage - Fix - Front	59- 7
C218 3054	Pad - 5x5	59- 5
C218 3056	Fixed Shaft Bracket	59- 3

Part No.	Description	Page and Index No.
C218 3057	Fixed Shaft	59- 2
C218 3058	Rear Fixed Arm	59- 4
C218 3058	Rear Fixed Arm	59- 35
C218 3059	Rear Fixed Arm	59- 6
C218 3060	Rear Fixed Angle	59- 1
C218 3062	Timing Pulley - Scanner Motor	59- 34
C218 3063	Scanner Drive Pulley	59- 22
C218 3065	Pulley - 22/56Z	59- 11
C218 3066	Pulley - 49Z	59- 19
C218 3068	Timing Pulley - 48Z	59- 25
C218 3069	Timing Pulley - 24Z	59- 23
C218 3072	Timing Belt - B40S2M160	59- 12
C218 3073	Timing Belt - B60S2M126	59- 13
C218 3074	Timing Belt - B40S2M1274	59- 21
C218 3075	Timing Belt - B40S2M800	59- 20
C218 3078	Scanner Motor Bracket	59- 14
C218 3081	Tension Bracket	59- 8
C218 3082	Tension Spring	59- 10
C218 3083	Tension Spring	59- 15
C218 3086	Motor Cushion	59- 9
C218 3090	Scanner Drive Shaft	59- 33
C218 3091	Timing Pulley Bracket - Front 1	59- 37
C218 3094	Tension Spring	59- 26
C218 3096	Timing Pulley Bracket - Rear 1	59- 28
C218 3099	Timing Pulley Bracket - Front 2	59- 32
C218 3103	Timing Pulley Bracket - Rear 2	59- 27
C218 3108	Scanner Grip	61- 18
C218 3109	Scanner Grip Bracket	61- 19
C218 3110	Scanner Grip Upper Cover	61- 22
C218 3111	Scanner Grip Shaft	61- 20
C218 3112	Scanner Stopper	61- 15
C218 3116	Stopper Spring 1	61- 14
C218 3117	Stopper Spring 2	61- 13
C218 3118	Scanner Stopper Bracket	61- 12
C218 3123	Slide Rail	15- 2

Part No.	Description	Page and Index No.
C218 3124	Spacer	15- 1
C218 3125	Scanner Open Actuator	15- 26
C218 3127	Slide Rail Right Bracket	15- 19
C218 3130	Slide Rail Seal	15- 29
C218 3131	Slide Rail Left Bracket	15- 18
C218 3133	Scanner Base Cushion 1	15- 25
C218 3134	Scanner Base Cushion 2	15- 24
C218 3135	Spacer Cushion	15- 23
C218 3138	Stopper Seal	15- 28
C218 3154	Exposuer Glass (LT)	55- 18
C218 3157	Original Scale - LT	55- 16
C218 3166	Exposure Glass (A4)	55- 18
C218 3171	Seal - 5x30	55- 12
C218 3190	Spring Plate	57- 27
C218 3191	1st Mirror	57- 7
C218 3193	Timing Belt Clamp	57- 5
C218 3205	Original Scale - A4	55- 16
C218 3206	2nd And 3rd Mirror	57- 3
C218 3207	Rear Spring Plate	57- 4
C218 3208	Front Spring Plate	57- 2
C218 3426	Platen Cover Right Bracket	61- 4
C218 3430	Knob Screw	61- 2
C218 3431	Platen Cover Shaft	61- 3
C218 3434	Sensor Bracket	61- 6
C218 3438	Platen Cover Left Bracket	61- 1
C218 3446	Magnet Catch Plate	55- 19
C218 3505	Hinge Shaft	75- 1
C218 3506	Boss	75- 15
C218 3532	Pulley Guide	73- 10
C218 4038	Bushing Washer - M8	63- 34
C218 4612	Rear Roller Guide	51- 12
C218 5054	Table Position Knob	25- 18
C218 5116	Washer - 6x13x12mm	25- 20
C218 5151	Cassette Body - Large	83- 14
C218 5164	Cassette Body - Small	83- 22

Part No.	Description	Page and Index No.
C218 5171	Magnet Holder	83- 16
C218 5180	Decal - Paper Size - Large	83- 25
C218 5181	Decal - Paper Size - Small	83- 24
C218 5182	Decal - Magnet - Large	83- 17
C218 5183	Decal - Magnet - Small	83- 23
C218 6119	Delivery Table Cover	43- 21
C218 8132	Original Sensor Harness	57- 21
C218 8181	Transformer - 115V	17- 41
C218 8242	Power Supply Cord - 115V	77- 4
C218 8252	Power Supply Cord - 230V	77- 4
C218 8407	Photointerruptor - GPLA34LC	55- 15
C218 8424	Original Sensor	57- 20
C218 8426	Grounding Harness	59- 17
C218 8431	Insulating Sheet	77- 33
C219 1027	Delivery Table Unit	39- 10
C219 2027	Lever Bracket - Paper Feed	15- 37
C219 2027	Lever Bracket - Paper Feed	27- 42
C219 2034	Sensor Bracket	33- 5
C219 2050	Front Stay	15- 12
C219 2053	Left Fixing Plate	17- 7
C219 2057	Right Fixing Plate	17- 30
C219 2073	Stopper Stud - Paper Feed	35- 17
C219 2075	Feed Gear Stopper Shaft	35- 18
C219 2091	Rear Stay	15- 10
C219 2104	Right Grip - Master Eject	77- 3
C219 2106	Left Grip - Paper Delivery	15- 4
C219 2109	Key Counter Bracket	41- 31
C219 2111	Shaft	15- 13
C219 2111	Shaft	19- 30
C219 2112	Harness Stay	15- 8
C219 2150	Rear Right Grip	15- 22
C219 2152	Rear Cover Bracket	15- 30
C219 2205	Bracket - Drum Rotation Sensor	29- 20
C219 2210	Shaft	19- 29
C219 2214	Gear - 40Z	19- 16

Part No.	Description	Page and Index No.
C219 2217	Collar	19- 22
C219 2226	Gear - 22Z	21- 18
C219 2306	Drum Sensor Bracket	29- 26
C219 2306	Drum Sensor Bracket	37- 20
C219 2306	Drum Sensor Bracket	77- 2
C219 2306	Drum Sensor Bracket	79- 22
C219 2315	Tension Shaft	19- 15
C219 2319	Cam Shaft	21- 1
C219 2418	Push Switch Bracket	79- 7
C219 2419	Safety Switch Bracket (A4)	79- 19
C219 2424	Front Door Ass'y	11- 1
C219 2428	Switch Plate - Paper Feed Table	17- 24
C219 2440	Lower Harness Cover	17- 39
C219 2441	Upper Harness Cover	17- 40
C219 2454	Master Eject Cover	75- 9
C219 2702	Front Platen Cover	13- 3
C219 2704	Rear Platen Cover	13- 2
C219 2705	Original Holder	11- 33
C219 2705	Original Holder	13- 1
C219 2706	Platen Cover Sensor Actuator	13- 7
C219 2708	Platen Cover Sheet	13- 9
C219 2710	Platen Cover Hinge	13- 6
C219 2711	Hinge Stopper	13- 10
C219 2804	Lower Cover - Paper Feed - LT	27- 5
C219 2818	Decal - Paper Separator	27- 7
C219 2818	Decal - Paper Separator	87- 9
C219 2833	Lower Cover - Paper Feed - A4	27- 5
C219 3473	Interface Cover	13- 8
C219 3517	Master Eject Stay	71- 8
C219 3522	1st Upper Eject Roller - B4	71- 27
C219 3524	1st Lower Eject Roller - B4	71- 30
C219 3526	Upper Pulley Shaft - B4	71- 20
C219 3531	Plessure Plate - B4/LG	73- 15
C219 3545	Upper Belt	71- 28
C219 3546	Lower Belt	71- 29

Part No.	Description	Page and Index No.
C219 3571	Blower Duct	75- 13
C219 3574	Blower Fan Bracket	75- 11
C219 3673	Inner Cover - Master Eject	75- 14
C219 3680	Master Eject Hinge - Small	75- 3
C219 3728	Master Eject Unit Frame	73- 7
C219 3768	Upper Inner Cover	75- 5
C219 3950	Stepped Screw	41- 19
C219 4007	Spring - B4	63- 7
C219 4012	Plotter Lower Cover	63- 19
C219 4022	Master Roller Cacher	63- 22
C219 4023	Seal	63- 37
C219 4026	Sensor Shaft	63- 11
C219 4028	Sensor Spring	63- 28
C219 4029	Lever Shaft	63- 31
C219 4031	Platen Release Lever	63- 32
C219 4048	Tension Release Shaft	67- 9
C219 4051	Upper Master Feed Roller	67- 14
C219 4052	Lower Master Feed Roller	67- 16
C219 4054	Antistatic Brush	67- 22
C219 4055	Reverse Guide	67- 20
C219 4056	Master Guide Plate	67- 21
C219 4062	Upper Reverse Roller	69- 14
C219 4065	Plotter Middle Stay	69- 17
C219 4067	Cutter Unit	65- 3
C219 4071	Gear - 17Z	65- 22
C219 4101	Right Side Plate	63- 27
C219 4115	Stud - M4	17- 21
C219 4130	Left Gear Cover	65- 24
C219 4250	Right Connector Bracket	63- 26
C219 4501	Spring Plate	17- 17
C219 4505	Drum Stopper Ass'y	17- 1
C219 4518	Drum Sensor Bracket	17- 13
C219 4541	Drum Unit	53- 80
C219 4554	Solenoid Lever	35- 3
C219 4555	Rubber Seal - 8x14x2	35- 5

Part No.	Description	Page and Index No.
C219 4560	Rear Drum Flange	51- 41
C219 4583	Tetron Screen - B4	51- 37
C219 4648	Front Drum Flange	51- 28
C219 4678	Front Drum Flange Cover	51- 27
C219 4679	Rear Shield - Drum Flange	51- 40
C219 4686	Drum H.p Sensor Actuator	51- 9
C219 4840	Master Stopper - 266x22	51- 42
C219 4941	Clamper Shaft	51- 30
C219 4948	Drum Clamper Ass'y	51- 36
C219 5002	Lower Paper Guide Plate	33- 15
C219 5003	Upper Guide Plate	33- 12
C219 5005	Lower Feed Roller	33- 20
C219 5006	Upper Feed Roller	33- 6
C219 5008	Upper Feed Roller	33- 10
C219 5018	Spring - Press Roller	33- 11
C219 5025	Upper Roller Shaft	27- 32
C219 5029	Rear Bushing Shaft	27- 40
C219 5030	Bushing	27- 37
C219 5031	Spring - Feed Roller Pressure	27- 14
C219 5034	Arm - Feed Roller Holder	27- 18
C219 5036	Paper Feed Roller	27- 30
C219 5037	Feed Roller Holder	27- 20
C219 5038	Separation Roller Pressuer Stud	29- 5
C219 5066	Paper Feed Table Ass'y - LT	23- 3
C219 5067	Paper Feed Table Ass'y - A4	23- 3
C219 5073	Stepped Screw	23- 5
C219 5074	Actuator - Table Lower Limit Switch	25- 1
C219 5075	Paper Table Ass'y	23- 14
C219 5075	Paper Table Ass'y	25- 16
C219 5079	Supporter	25- 27
C219 5081	Sensor Bracket	25- 36
C219 5101	Sector Gear	35- 27
C219 5105	Sector Gear Stopper	35- 30
C219 5106	Sector Gear Stopper	21- 27
C219 5107	Spring	35- 49

Part No.	Description	Page and Index No.
C219 5108	Sector Stopper - Feed Roller	35- 21
C219 5109	Feed Sector Stopper	35- 20
C219 5120	Feed Cam Shaft	21- 23
C219 5122	Paper Feed Sector Cam	35- 25
C219 5127	Sector Gear Shaft	35- 23
C219 5152	Paper Feed Lever	27- 2
C219 5157	Adjusting Plate	27- 16
C219 6002	Vacuum Base Plate	39- 8
C219 6003	Exit Pawl Shaft	45- 16
C219 6005	Vaccum Plate	39- 12
C219 6008	Driven Roller - Transport Belt	39- 7
C219 6009	Drive Roller - Transport Belt	39- 2
C219 6016	Transport Belt	39- 3
C219 6017	Vaccum Duct	39- 4
C219 6019	Driven Shaft	39- 1
C219 6030	Reinforcement Plate	45- 10
C219 6033	Gear - 50Z	45- 9
C219 6040	Gear Cover	45- 21
C219 6050	Exit Pawl	45- 15
C219 6064	Idol Shaft	45- 24
C219 6080	Adjusting Lever Shaft	39- 6
C219 6081	Exit Side Plate	41- 10
C219 6083	Decal - Drum Stay	87- 5
C219 6084	Antistatic Brush	41- 9
C219 6219	Air Hose	45- 12
C219 8021	Paper Detection Board	23- 7
C219 8107	Exit Harness	39- 11
C219 8113	Harness - Paper Detection Board	23- 9
C219 8113	Harness - Paper Detection Board	25- 31
C219 8119	Drum Relay Harness	35- 9
C219 8146	Harness Head Power	63- 17
C219 8171	Microswitch	79- 4
C219 8174	Microswitch	77- 8
C219 8204	Vacuum Fan Motor - DC24V 0.3A	39- 9
C219 8212	Table Drive Motor - AC 22W 0.86A	77- 11

Part No.	Description	Page and Index No.
C219 8239	Reverse Roller - Magnetic Clutch	69- 18
C219 8250	Lift Motor - DC 1.69W 0.2A	21- 2
C219 8262	Release Solenoid	35- 12
C219 8296	Safety Switch	77- 22
C219 8296	Safety Switch	79- 27
C221 2124	Cap	77- 24
C221 2128	Support Bracket	77- 23
C221 3537	Pressure Spring	73- 4
C221 6118	Adjusting Lever Shaft	41- 6
C221 6127	Support Plate - Left Stay	43- 35
C221 6128	Support Plate - Right Stay	43- 34
C221 6130	Left Stay - Delivery Table	43- 33
C221 6131	Right Stay - Delivery Table	43- 32
C222 1056	Plotter Unit - LT	63- 0
C222 1057	Master Eject Unit	71- 0
C222 1059	Paper Table Unit - LT	23- 0
C222 1059	Paper Table Unit - LT	25- 0
C222 1075	Plotter Unit - A4	63- 0
C222 1078	Paper Table Unit - A4	23- 0
C222 1078	Paper Table Unit - A4	25- 0
C222 2001	Left Side Plate	15- 3
C222 2002	Right Side Plate	15- 21
C222 2020	Scanner Stopper	77- 15
C222 2062	Left Grip Cover	15- 7
C222 2071	Bottom Stay	15- 11
C222 2089	Side Plate Bracket	15- 31
C222 2092	Seal	15- 36
C222 2093	Bottom Cover - Paper Feed	15- 33
C222 2095	Bottom Cover - Delivery Table	15- 32
C222 2098	Bottom Cover	15- 34
C222 2120	Left Bracket - Operation Panel	11- 29
C222 2121	Middle Bracket - Operation Panel	11- 30
C222 2122	Right Bracket - Operation Panel	11- 31
C222 2160	Total Counter Bracket	79- 8
C222 2429	Support Cover - Paper Feed Cover	17- 29

Part No.	Description	Page and Index No.
C222 2552	Decal - Master Set	11- 36
C222 2552	Decal - Master Set	87- 11
C222 2553	Caution Decal - Master Set	69- 26
C222 2553	Caution Decal - Master Set	87- 10
C222 2565	Multi Decal - Master Set - German	11- 36
C222 2800	Operation Panel Unit - LT	11- 17
C222 2810	Front Right Cover	11- 14
C222 2811	Rear Upper Cover	11- 20
C222 2812	Rear Cover	11- 25
C222 2830	Operation Panel Ass'y - A4	11- 17
C222 3016	Scanner Grip Cover	61- 21
C222 3019	Scanner Harness Cover	57- 19
C222 3051	Lens Base Plate	57- 16
C222 3120	Spacer	57- 25
C222 3136	Scanner Rail Stopper	15- 27
C222 3150	1st Mirror Bracket	57- 8
C222 3169	Harness Bracket	57- 17
C222 3170	Exposure Glass Sheet	55- 17
C222 3178	Fluorescent Lamp Harness Bracket	57- 11
C222 3179	Harness Clip	57- 10
C222 3185	Mirror Bracket - 2nd/3rd	57- 1
C222 3193	Bushing - 8mm	59- 39
C222 3200	Fluorescent Lamp Harness	57- 29
C222 3225	Shading Plate	57- 18
C222 3232	CCD Board Cover	57- 12
C222 3234	Grounding Plate	57- 30
C222 3262	Scanner Unit	55- 0
C222 3526	Sensor Bracket - Master Eject Box	73- 23
C222 4001	Guide Plate - Thermal Head	63- 2
C222 4002	Thermal Head Spcer	63- 4
C222 4003	Thermal Head Base	63- 5
C222 4014	Thermal Head Cover	63- 25
C222 4015	Plotter Base	63- 18
C222 4036	Right Holder	65- 16
C222 4037	Left Holder	65- 6

Part No.	Description	Page and Index No.
C222 4044	Platen Roller	65- 12
C222 4053	Lower Master Guide Plate	67- 18
C222 4060	Left Connector Bracket	69- 7
C222 4061	Master Guide Plate	69- 9
C222 4070	Gear - 42Z	65- 4
C222 4071	Gear - 30Z	67- 3
C222 4072	Timing Belt	65- 5
C222 4111	Left Side Plate	63- 10
C222 4136	Pressure Spring	63- 8
C222 4330	Duct Case	69- 24
C222 4331	Duct Case Bracket	69- 20
C222 4336	Duct Cover	69- 25
C222 4670	Ink Pump	47- 32
C222 4947	Clamper Rubber	51- 31
C222 5020	Separation Roller Shaft	29- 7
C222 5044	Paper Entrance Plate	31- 23
C222 5094	Insulating Sheet	79- 20
C222 5096	Lower Separation Roller	29- 8
C222 5121	Position Indicator	25- 33
C222 5158	Adjuster	27- 15
C222 5216	Rubber Plate - Guide Plate	33- 16
C222 5254	Solenoid Support Bracket	37- 25
C222 5255	Solenoid Bracket	37- 23
C222 5260	Solenoid Link Lever	37- 24
C222 5262	Pressure Roller Holder	37- 28
C222 5275	Tension Spring	37- 26
C222 5512	Tension Spring	35- 44
C222 5518	Paper Release Lever	35- 43
C222 5519	Release Lever Shaft	35- 42
C222 5520	Solenoid Bracket	35- 45
C222 5525	Solenoid Cover	35- 47
C222 5547	Left Arm - Print Pressure	37- 7
C222 5548	Right Arm - Print Pressure	37- 9
C222 5560	Rear Guide Plate	37- 6
C222 5603	Print Pressure Shaft	37- 13

Part No.	Description	Page and Index No.
C222 6101	Delivery Table Unit (LT)	43- 0
C222 6265	Delivery Table Unit (A4)	43- 0
C222 8012	A/D Converter Board	57- 24
C222 8028	Thermal Head Drive Board	63- 13
C222 8037	Thermal Head - B4	63- 1
C222 8042	MPU Board	79- 11
C222 8045	IC - MPU1	79- 12
C222 8047	IC - MPU2	79- 13
C222 8072	CCD Board	57- 15
C222 8092	AC Drive Board - 115V	77- 10
C222 8096	AC Drive Board - 230V	77- 10
C222 8122	Master Eject Harness	71- 7
C222 8127	Plotter Unit Harness	79- 10
C222 8128	Thermal Head Harness	69- 6
C222 8129	Sensor Relay Harness	69- 22
C222 8131	DC Drive Harness	15- 15
C222 8131	DC Drive Harness	79- 16
C222 8134	AC Drive Harness	15- 14
C222 8143	Scanner Flat Cable	57- 23
C222 8157	Thermal Head Harness	79- 15
C222 8160	Thermal Head Drive Harness	69- 8
C222 8163	Thermal Head Harness - 2	63- 14
C222 8164	Thermal Head Harness - 1	63- 15
C222 8208	Air Knife Motor	69- 23
C222 8208	Air Knife Motor	75- 12
C222 8214	Scanner Drive Motor	59- 16
C222 8216	Stepper Motor - Plotter	65- 21
C222 8220	Fluorescent Lamp	57- 6
C222 8221	Inverter	59- 30
C222 8234	Paper Release Solenoid	35- 33
C222 8234	Paper Release Solenoid	35- 46
C222 8236	Press Roller Solenoid	37- 22
C222 8301	Power Supply Unit	41- 7
C222 8415	Scanner Harness	61- 9
C222 8462	Total Counter	79- 1

Part No.	Description	Page and Index No.
C222 8607	Operating Instruction - LT English	87- 21
C522 2417	Cover Stopper Supporter	83- 2
C522 2423	Cushion Seal - 10x19	83- 7
C522 2431	Side Fence	83- 6
C522 2432	Rear Fence	83- 18
C522 2433	Plate Nut	83- 13
C522 2434	Grounding Plate	83- 11
C522 2435	Screw - M3	83- 15
C525 2031	Door Hinge	85- 3
C525 2032	Door Catch	85- 4
C525 2038	Caster	85- 7
C525 2039	Caster Stopper	85- 6
C526 2200	Option Drum Case	85- 10
C526 2210	Decal - Drum Case	85- 11
C526 2213	Decal - Drum Set	85- 12
C526 2250	Drum Decal - Black	85- 13
C526 2251	Drum Decal - Red	85- 13
C526 2252	Drum Decal - Blue	85- 13
C526 2253	Drum Decal - Green	85- 13
C526 2254	Drum Decal - Brown	85- 13
C526 4633	Spacer Holder	47- 33
C526 8172	Relay Harness (Option)	51- 44
C528 8172	Relay harness - A4/LT Drum	51- 45
C528 8173	Short Connector - A4 Color Limited	51- 46
C529 2195	Cushon - 100x20x10	83- 26
C529 5012	Cassette Cover - Small	83- 19
C530 5012	Cassette Cover - Large	83- 3
C546 2020	Left Door	85- 1
C546 2025	Right Door	85- 5
C546 2030	Door Grip	85- 2
C546 2035	Adjusting Screw	85- 9
C546 2081	Drum Case Handle	85- 19
C546 2082	Shelf - 393.5x609	85- 20

Part No.	Description	Page and Index No.
A030 1339	Plate Nut - Key Counter	11- 10
AA06 3014	Spring - Supply Tube	45- 20
AA06 3016	Pressure Spring	17- 28
AA14 3062	Shoulder Screw - M4	37- 27
AA16 2053	Platen Cover Pad	13- 5
AG07 0004	Magnetic Catch	49- 8
AG07 0004	Magnetic Catch	63- 23
AG07 0004	Magnetic Catch	75- 8
AG07 0004	Magnetic Catch	79- 17
AW02 0021	Photointerruptor - 175487-3	25- 37
AW02 0021	Photointerruptor - 175487-3	29- 25
AW02 0021	Photointerruptor - 175487-3	37- 21
AW02 0021	Photointerruptor - 175487-3	61- 5
AW02 0021	Photointerruptor - 175487-3	77- 1
AW02 0021	Photointerruptor - 175487-3	79- 23
AW02 0075	Photointerruptor - 175487-3	73- 24
AW50 0012	Push Switch	73-108
H012 1181	Bushing- 6mm	69- 4
H515 3709	Edgeing	57- 9
5053 0223	Bushing - 8mm	45- 14
5053 0419	Bushing - 10mm	27- 38
5056 0188	Bushing - 6mm - Long	67- 4
5056 0509	Nut Plate - Microswitch	79- 3
5070 0923	Spring Washer - Rotating Table	25- 3
5203 5230	Master Sensor	63- 30
5205 2680	Coupled Gear - 16T/53T	21- 5
5205 2681	Coupled Gear - 17T/50T	21- 4
5309 1023	Pinion Paper Feed Table	25- 26
5400 3404	Stepped Screw	49- 17
5403 2048	Bushing - 4mm	17- 25
5403 2075	Stepped Screw	17- 47
5403 2075	Stepped Screw	27- 17
5403 2075	Stepped Screw	29- 24
5403 2075	Stepped Screw	35- 38
5403 2075	Stepped Screw	67- 5

Part No.	Description	Page and Index No.
5403 2075	Stepped Screw	71- 17
5413 1882	Stepped Screw	47- 1
5413 3082	Spring Anchor - Lock Lever	51- 8
5447 2681	Snap Ring	59- 24
5448 2824	Flex Hinge - Platen Cover	13- 4
5466 3147	Adjusting Knob	57- 28
5501 1132	Spring - Master Pulling	33- 18
5501 4719	Rubber Ring - Stopper	17- 19
5501 7559	Spring - Master Feed	35- 10
5501 7559	Spring - Master Feed	41- 26
5501 8180	Flat Spring - Feed Roller Pressure	27- 3
5501 8195	Steel Ball 3/16,	27- 11
5505 3598	Spring - Ratch - Control Section	47- 9
5505 7197	Spring - Hinge - Inking	25- 25
5506 1536	Screw - M4X6	25- 2
5506 4169	Rubber Roller - Paper Feed	27- 29
5506 4608	Bushing - Paper Hold/down Roller -	71- 23
5506 6069	Step Screw - Etching Middle Roller	51- 4
5506 6073	Stopper - Holder - Master Hold/down	45- 13
5506 6111	Stepped Screw - M4	51- 22
5506 6197	Screw - Knife Cam - Leading Edge Cl	41- 8
5506 6197	Screw - Knife Cam - Leading Edge Cl	43- 31
5506 6314	Mylar - Master Feed Table	25- 9
5507 6015	Paper Feed Roller	27- 35
5507 6032	Timing Belt Pulley - 30T	27- 31
5507 6035	Timing Belt - 162XL	27- 34
5507 6038	Torque Limiter - Paper Feed Roller	27- 43
5507 6060	Guide Screw - Front Plate	31- 21
5507 6624	Bushing - 8x16x45mm	47- 6
5507 6624	Bushing - 8x16x45mm	47- 16
5507 6828	Rubber Plate - Feed Table	23- 15
5507 6828	Rubber Plate - Feed Table	83- 8
5600 1080	Bush - Paper Feed Roller - Left	33- 26
5600 1081	Right Bushing - Paper Feed Roller	27- 41
5600 1107	Snap Retainer - 12	25- 17

Part No.	Description	Page and Index No.
5600 1107	Snap Retainer - 12	27-116
5600 1379	Spring	49- 16
5603 1045	Screw - M5	41- 32
5603 1045	Screw - M5	43- 38
5606 2066	Paper Feed Guide Disc	27- 27
5606 2310	Roller	25- 13
5607 2814	Roller Spring	37- 12
5607 3261	Print Pressure Spring	37- 19
5607 3927	Stepped Screw - M3x8	43- 36
5875 2088	Shoulder Screw - M4	55- 4
5875 2088	Shoulder Screw - M4	61- 24
5875 2088	Shoulder Screw - M4	77- 26

Part No.	Description	Page and Index No.
0252 0080Z	Philips Pan Head Screw - M2x8	17-102
0252 0080Z	Philips Pan Head Screw - M2x8	71-112
0312 5050Z	Philips Pan Head Screw - M2.5x5	67-109
0313 0030Z	Philips Pan Head Screw - M3x3	71-111
0313 0040B	Philips Pan Head Screw - M3x4	21-100
0313 0040Z	Philips Pan Head Screw - M3x4	35-107
0313 0040Z	Philips Pan Head Screw - M3x4	41-102
0313 0040Z	Philips Pan Head Screw - M3x4	47-101
0313 0040Z	Philips Pan Head Screw - M3x4	53-109
0313 0040Z	Philips Pan Head Screw - M3x4	63-100
0313 0050W	Philips Pan Head Screw - M3x5	13-102
0313 0050W	Philips Pan Head Screw - M3x5	31-109
0313 0050Z	Philips Screw - 3x5	29-109
0313 0050Z	Philips Screw - 3x5	33-108
0313 0050Z	Philips Screw - 3x5	53-107
0313 0050Z	Philips Screw - 3x5	59-102
0313 0050Z	Philips Screw - 3x5	63-102
0313 0050Z	Philips Screw - 3x5	67-105
0313 0050Z	Philips Screw - 3x5	71-106
0313 0050Z	Philips Screw - 3x5	73-118
0313 0060Z	Philips Pan Head Screw - M3x6	17-109
0313 0060Z	Philips Pan Head Screw - M3x6	37-112
0313 0060Z	Philips Pan Head Screw - M3x6	43-104
0313 0060Z	Philips Pan Head Screw - M3x6	45-101
0313 0060Z	Philips Pan Head Screw - M3x6	55-105
0313 0060Z	Philips Pan Head Screw - M3x6	57-105
0313 0060Z	Philips Pan Head Screw - M3x6	61-102
0313 0060Z	Philips Pan Head Screw - M3x6	63-101
0313 0060Z	Philips Pan Head Screw - M3x6	67-101
0313 0060Z	Philips Pan Head Screw - M3x6	69-100
0313 0060Z	Philips Pan Head Screw - M3x6	69-105
0313 0060Z	Philips Pan Head Screw - M3x6	77-109
0313 0060Z	Philips Pan Head Screw - M3x6	79-100
0313 0080Z	Philips Screw - 3x8	69-112
0313 0100Z	Philips Pan Head Screw - M3x10	23-108

Part No.	Description	Page and Index No.
0313 0100Z	Philips Pan Head Screw - M3x10	39-101
0313 0120Z	Philips Screw - 3x12	17-113
0313 0140Z	Philips Pan Head Screw - M3x14	79-103
0313 0350Z	Pan Head Screw - M3x35	69-114
0313 0350Z	Pan Head Screw - M3x35	75-107
0314 0050Z	Philips Pan Head Screw - M4x5	57-106
0314 0050Z	Philips Pan Head Screw - M4x5	71-104
0314 0060W	Philips Pan Head Screw - M4x6	13-101
0314 0060Z	Philips Pan Head Screw - M4x6	15-100
0314 0060Z	Philips Pan Head Screw - M4x6	17-108
0314 0060Z	Philips Pan Head Screw - M4x6	21-124
0314 0060Z	Philips Pan Head Screw - M4x6	27-111
0314 0060Z	Philips Pan Head Screw - M4x6	45-111
0314 0060Z	Philips Pan Head Screw - M4x6	47-113
0314 0060Z	Philips Pan Head Screw - M4x6	49-105
0314 0060Z	Philips Pan Head Screw - M4x6	51-119
0314 0060Z	Philips Pan Head Screw - M4x6	53-105
0314 0060Z	Philips Pan Head Screw - M4x6	55-101
0314 0060Z	Philips Pan Head Screw - M4x6	61-111
0314 0060Z	Philips Pan Head Screw - M4x6	63-103
0314 0060Z	Philips Pan Head Screw - M4x6	65-101
0314 0060Z	Philips Pan Head Screw - M4x6	65-106
0314 0060Z	Philips Pan Head Screw - M4x6	73-110
0314 0060Z	Philips Pan Head Screw - M4x6	75-108
0314 0060Z	Philips Pan Head Screw - M4x6	77-108
0314 0060Z	Philips Pan Head Screw - M4x6	79-121
0314 0080Z	Philips Screw - 4x8	15-101
0314 0080Z	Philips Screw - 4x8	17-107
0314 0080Z	Philips Screw - 4x8	21-103
0314 0080Z	Philips Screw - 4x8	25-102
0314 0080Z	Philips Screw - 4x8	27-105
0314 0080Z	Philips Screw - 4x8	29-115
0314 0080Z	Philips Screw - 4x8	33-102
0314 0080Z	Philips Screw - 4x8	39-113
0314 0080Z	Philips Screw - 4x8	51-100

Part No.	Description	Page and Index No.
0314 0080Z	Philips Screw - 4x8	53-100
0314 0080Z	Philips Screw - 4x8	59-100
0314 0080Z	Philips Screw - 4x8	73-102
0314 0080Z	Philips Screw - 4x8	75-102
0314 0080Z	Philips Screw - 4x8	77-100
0314 0080Z	Philips Screw - 4x8	79-113
0314 0100Z	Philips Screw - 4x10	35-106
0314 0100Z	Philips Screw - 4x10	37-102
0314 0120Z	Philips Screw - 4x12	25-100
0314 0120Z	Philips Screw - 4x12	27-100
0314 0140Z	Philips Screw - 4x14	57-100
0314 0160Z	Philips Pan Head Screw - M4x16	77-112
0314 0200Z	Philips Screw - 4x20	33-103
0314 0200Z	Philips Screw - 4x20	35-104
0315 0060Z	Philips Screw - 5x6	19-117
0315 0080Z	Philips Screw - 5x8	21-117
0315 0120Z	Philips Screw - 5x12	15-104
0315 0120Z	Philips Screw - 5x12	77-113
0323 0050Z	Philips Sunken Head Screw - M3x5	51-111
0323 0060Z	Philips Sunk Screw - M3x6	17-116
0323 0060Z	Philips Sunk Screw - M3x6	83-102
0323 0100Z	Philips Sunken Head Screw - M3x10	25-104
0323 0100Z	Philips Sunken Head Screw - M3x10	27-103
0323 0100Z	Philips Sunken Head Screw - M3x10	63-109
0324 0060Z	Philips Sunken Head Screw - M4x6	15-108
0324 0060Z	Philips Sunken Head Screw - M4x6	55-107
0333 0080D	Philips Counter Sunk Screw - M3x8	11-103
0343 0060W	Philips Pan Head Screw - M3x6	43-101
0344 0060D	Philips Truss Head Screw - M4x6	11-102
0344 0060D	Philips Truss Head Screw - M4x6	55-100
0344 0060D	Philips Truss Head Screw - M4x6	55-102
0412 0052Z	Tapping Screw - M3x5	83-101
0433 0060Z	Tapping Screw - M3x6	73-116
0433 0080Z	Tapping Screw - M3x8	37-111
0433 0082Z	Tapping Screw - M3x8	83-100

Part No.	Description	Page and Index No.
0434 0060Z	Tapping Screw - M4x6	47-107
0434 0060Z	Tapping Screw - M4x6	49-100
0434 0060Z	Tapping Screw - M4x6	63-110
0434 0060Z	Tapping Screw - M4x6	69-109
0434 0060Z	Tapping Screw - M4x6	71-102
0434 0060Z	Tapping Screw - M4x6	73-107
0434 0060Z	Tapping Screw - M4x6	75-103
0434 0062W	Pan Head Tapping Screw - M4x6	11-106
0434 0062W	Pan Head Tapping Screw - M4x6	75-106
0434 0080Z	Tapping Screw - M4x8	15-102
0434 0080Z	Tapping Screw - M4x8	17-105
0434 0080Z	Tapping Screw - M4x8	21-102
0434 0080Z	Tapping Screw - M4x8	27-104
0434 0080Z	Tapping Screw - M4x8	31-100
0434 0080Z	Tapping Screw - M4x8	33-105
0434 0080Z	Tapping Screw - M4x8	35-101
0434 0080Z	Tapping Screw - M4x8	41-108
0434 0080Z	Tapping Screw - M4x8	47-111
0434 0080Z	Tapping Screw - M4x8	63-104
0434 0080Z	Tapping Screw - M4x8	65-104
0434 0080Z	Tapping Screw - M4x8	75-100
0434 0080Z	Tapping Screw - M4x8	77-103
0434 0080Z	Tapping Screw - M4x8	79-106
0434 0082Z	Tapping Screw - M4x8	39-102
0434 0082Z	Tapping Screw - M4x8	53-104
0434 0100Z	Pan Head Self-tapping Screw - M4x10	17-104
0434 0100Z	Pan Head Self-tapping Screw - M4x10	49-103
0452 4012Z	Tapping Screw - M4x12	13-103
0553 0060E	Allen Screw - M3x6	57-110
0573 0040E	Hexagon Headless Set Screw - M3x4	53-108
0573 0040E	Hexagon Headless Set Screw - M3x4	59-105
0573 0040E	Hexagon Headless Set Screw - M3x4	75-110
0573 0050E	Hexagon Headless Set Screw - M3x5	21-122
0573 0050E	Hexagon Headless Set Screw - M3x5	33-111
0574 0040E	Hexagon Headless Set Screw - M4x4	19-106

Part No.	Description	Page and Index No.
0574 0040E	Hexagon Headless Set Screw - M4x4	27-113
0574 0040E	Hexagon Headless Set Screw - M4x4	27-120
0574 0040E	Hexagon Headless Set Screw - M4x4	29-106
0574 0040E	Hexagon Headless Set Screw - M4x4	65-105
0574 0040E	Hexagon Headless Set Screw - M4x4	77-116
0574 0050E	Hexagon Headless Set Screw - M4x5	19-119
0574 0050E	Hexagon Headless Set Screw - M4x5	29-112
0574 0050E	Hexagon Headless Set Screw - M4x5	47-106
0574 0050E	Hexagon Headless Set Screw - M4x5	51-115
0574 0060E	Hexagon Headless Set Screw - M4x6	29-116
0575 0080E	Hexagon Headless Set Screw - M5x8	51-103
0584 0121Z	Hexagon Bolt - M4x12	37-107
0584 0121Z	Hexagon Bolt - M4x12	37-113
0584 0121Z	Hexagon Bolt - M4x12	45-105
0584 0121Z	Hexagon Bolt - M4x12	45-107
0585 0100Z	Bolt - M5x10	21-108
0586 0451Z	Hexagon Bolt - M6x45	37-106
0594 0060E	Socket Screw - 4X6	21-119
0594 0060E	Socket Screw - 4X6	35-118
0594 0060E	Socket Screw - 4X6	37-109
0594 0060E	Socket Screw - 4X6	53-101
0594 0080E	Bolt - M4x8	17-112
0594 0080E	Bolt - M4x8	19-101
0594 0080E	Bolt - M4x8	27-110
0594 0080Z	Bolt - M4x8	51-113
0594 0080Z	Bolt - M4x8	53-102
0595 0080Z	Bolt - M5x8	47-112
0595 0120E	Socket Screw - M5x12	15-103
0595 0120E	Socket Screw - M5x12	19-110
0595 0120E	Socket Screw - M5x12	39-111
0595 0140E	Hexagon Bolt - M5x14	37-114
0595 0140E	Hexagon Bolt - M5x14	51-102
0622 0060E	Spring Pin - 2x6mm	35-100
0622 0250E	Spring Pin M2x250	17-103
0623 0080E	Spring Pin - 3x8mm	35-125

Part No.	Description	Page and Index No.
0623 0080E	Spring Pin - 3x8mm	47-104
0623 0100E	Spring Pin - 3x10mm	35-120
0623 0100E	Spring Pin - 3x10mm	37-121
0623 0120E	Spring Pin - M3x12	35-102
0623 0120E	Spring Pin - M3x12	71-107
0623 0140E	Spring Pin - 3x14mm	19-116
0623 0140E	Spring Pin - 3x14mm	35-123
0623 0160E	Spring Pin - 3x16mm	39-105
0623 0180E	Spring Pin - 3x18mm	45-110
0623 0200E	Spring Pin - 3x20mm	19-115
0624 0160E	Spring Pin - 4x16mm	29-110
0624 0220E	Spring Pin - 4x20mm	29-111
0700 0060G	Flat Washer - M6	35-121
0700 0060Z	Flat Washer - M6	25-110
0701 0030Z	Flat Washer - M3	69-113
0701 0040Z	Flat Washer - M4	21-118
0701 0040Z	Flat Washer - M4	27-109
0701 0040Z	Flat Washer - M4	35-117
0701 0040Z	Flat Washer - M4	37-110
0701 0040Z	Flat Washer - M4	57-107
0701 0050Z	Flat Washer - M5	21-109
0701 0060Z	Flat Washer - M6	67-108
0701 0080Z	Flat Washer - M8	25-103
0701 0080Z	Flat Washer - M8	41-104
0705 0040B	Toothed Washer	11-105
0705 0040B	Toothed Washer	23-107
0705 0040B	Toothed Washer	25-112
0705 0040B	Toothed Washer	77-106
0707 4160B	Bushing - 4x16mm	47-105
0707 6120B	Bushing - 6x12mm	21-121
0707 8105B	Bushing - M8x10.5	43-102
0710 0030Z	Hex Nut 3	25-109
0710 0040Z	Hex Nut 4	37-108
0710 0040Z	Hex Nut 4	45-106
0712 0060Z	Hexagon Nut - M6	19-113

Part No.	Description	Page and Index No.
0712 0060Z	Hexagon Nut - M6	21-104
0713 0040B	Hexagon Nut - M4	23-100
0713 0040B	Hexagon Nut - M4	27-118
0713 0040B	Hexagon Nut - M4	29-100
0713 0040B	Hexagon Nut - M4	33-110
0713 0040B	Hexagon Nut - M4	35-114
0713 0040B	Hexagon Nut - M4	61-106
0713 0050B	Hexagon Nut - M5	17-114
0713 0050B	Hexagon Nut - M5	19-121
0713 0050B	Hexagon Nut - M5	21-120
0713 0050B	Hexagon Nut - M5	35-119
0713 0050B	Hexagon Nut - M5	61-110
0720 0030Z	Retaining Ring - M3	37-118
0720 0030Z	Retaining Ring - M3	43-100
0720 0030Z	Retaining Ring - M3	45-100
0720 0030Z	Retaining Ring - M3	57-104
0720 0030Z	Retaining Ring - M3	61-108
0720 0030Z	Retaining Ring - M3	71-103
0720 0030Z	Retaining Ring - M3	73-105
0720 0030Z	Retaining Ring - M3	77-110
0720 0030Z	Retaining Ring - M3	79-115
0720 0040Z	Retaining Ring - M4	21-101
0720 0040Z	Retaining Ring - M4	25-106
0720 0040Z	Retaining Ring - M4	27-108
0720 0040Z	Retaining Ring - M4	31-106
0720 0040Z	Retaining Ring - M4	35-110
0720 0040Z	Retaining Ring - M4	37-117
0720 0040Z	Retaining Ring - M4	41-109
0720 0040Z	Retaining Ring - M4	63-111
0720 0040Z	Retaining Ring - M4	67-100
0720 0040Z	Retaining Ring - M4	69-103
0720 0040Z	Retaining Ring - M4	71-100
0720 0040Z	Retaining Ring - M4	73-104
0720 0050Z	Retaining Ring - M5	17-106
0720 0050Z	Retaining Ring - M5	21-123

Part No.	Description	Page and Index No.
0720 0050Z	Retaining Ring - M5	27-117
0720 0050Z	Retaining Ring - M5	33-101
0720 0050Z	Retaining Ring - M5	35-122
0720 0050Z	Retaining Ring - M5	47-110
0720 0050Z	Retaining Ring - M5	51-109
0720 0050Z	Retaining Ring - M5	53-111
0720 0050Z	Retaining Ring - M5	61-107
0720 0050Z	Retaining Ring - M5	63-108
0720 0050Z	Retaining Ring - M5	67-104
0720 0050Z	Retaining Ring - M5	69-110
0720 0050Z	Retaining Ring - M5	71-108
0720 0050Z	Retaining Ring - M5	73-114
0720 0060Z	Retaining Ring - M6	25-107
0720 0060Z	Retaining Ring - M6	27-119
0720 0060Z	Retaining Ring - M6	35-115
0720 0060Z	Retaining Ring - M6	37-104
0720 0060Z	Retaining Ring - M6	41-100
0720 0060Z	Retaining Ring - M6	45-104
0720 0060Z	Retaining Ring - M6	47-108
0720 0060Z	Retaining Ring - M6	49-106
0720 0060Z	Retaining Ring - M6	73-106
0720 0070Z	Retaining Ring - M7	63-107
0720 0070Z	Retaining Ring - M7	65-102
0720 0080Z	Retaining Ring - M8	19-109
0720 0080Z	Retaining Ring - M8	21-106
0720 0080Z	Retaining Ring - M8	21-111
0720 0080Z	Retaining Ring - M8	29-102
0720 0080Z	Retaining Ring - M8	35-109
0720 0080Z	Retaining Ring - M8	39-103
0720 0080Z	Retaining Ring - M8	45-109
0720 0080Z	Retaining Ring - M8	73-111
0720 0100Z	Retaining Ring - M10	19-111
0720 0100Z	Retaining Ring - M10	41-101
0720 0120Z	Retaining Ring - M12	37-101
0725 0100Z	Retaining Ring - M10	19-103

Part No.	Description	Page and Index No.
0725 0160E	Retaining Ring C - M16	35-111
0725 0160E	Retaining Ring C - M16	53-113
0740 3007	Ball Bearing - 7x19x6mm	35-112
0740 3007	Ball Bearing - 7x19x6mm	37-105
0740 3010	Ball Bearing - 10x26x8mm	19-112
0740 3010	Ball Bearing - 10x26x8mm	33-104
0740 3010	Ball Bearing - 10x26x8mm	39-107
0740 3206	Ball Bearing - 6x19x6	37-116
0740 3808	Ball Bearing - 8x16x5mm	33-109
0741 3807S	Ball Bearing - 7x14x5	19-114
0741 3807S	Ball Bearing - 7x14x5	21-105
0741 3908S	Ball Bearing - 8x19x6	19-118
0800 0084	Philips Pan Head Screw - M2.3x12	23-106
0801 1004	Screw - M4X4	13-100
0801 1004	Screw - M4X4	15-107
0801 1004	Screw - M4X4	17-115
0801 1004	Screw - M4X4	27-102
0801 1004	Screw - M4X4	29-108
0801 1004	Screw - M4X4	33-100
0801 1004	Screw - M4X4	41-103
0801 1004	Screw - M4X4	59-101
0801 1004	Screw - M4X4	61-101
0801 1004	Screw - M4X4	79-120
0801 1135	Philips Pan Head Screw - M3x3	17-110
0801 1135	Philips Pan Head Screw - M3x3	21-113
0801 1135	Philips Pan Head Screw - M3x3	57-108
0801 1135	Philips Pan Head Screw - M3x3	73-112
0802 5097	Tapping Screw - M3x10	43-108
0802 5149	Tapping Screw - M4x9	11-101
0802 5233	Tapping Screw - M3x10	11-108
0804 4046	Spring Pin - 4x16	19-105
0804 4048	Spring Pin - 4x20	19-104
0804 4055	Pin	27-112
0804 4060	Spring Pin - M4x22	37-115
0804 4061	Spring Pin - M6	29-105

Part No.	Description	Page and Index No.
0804 6074	Hexagon Bolt - M4x8	59-104
0804 6091	Hexagonal Set Screw - M2x5	33-112
0804 6091	Hexagonal Set Screw - M2x5	51-114
0804 6092	Hexagonal Set Screw	19-108
0804 6092	Hexagonal Set Screw	51-118
0804 6101	Hexagon Bolt - M3	35-103
0804 6101	Hexagon Bolt - M3	45-108
0805 0084	Retaining Ring	33-106
0805 3104	Ball Bearing - 8x22x7mm	21-112
0805 3134	Ball Bearing - 10x26x8mm	19-102
0805 3263	Bearing - 6 X 10 X 6mm	27-115
0805 3263	Bearing - 6 X 10 X 6mm	69- 15
0805 3263	Bearing - 6 X 10 X 6mm	77-115
0805 3452	Ball Bearing - 10x22x6mm	45-113
0805 6009	Rubber Foot	15-105
0807 3041	Spring Washer	71-109
0807 3083	Washer	17-111
0807 3103	Washer - 4x13x2.3mm	51-107
0807 4076	Washer - 8.2x6.1x0.3mm	77-114
0807 4118	Flat Washer	73-117
0807 4126	Flat Washer - 6.2x12x0.2mm	51-104
0807 5004	Washer	35-113
0807 5013	Flat Washer - M8.4	41-110
0807 5044	Spacer - 8.1mmx11.5mmx0.2	51-105
0807 5076	Washer - 8x13x2.2mm	51-106
0807 7013	Spacer - 10.2x14x0.2mm	19-107
0807 7013	Spacer - 10.2x14x0.2mm	21-110
0807 7013	Spacer - 10.2x14x0.2mm	29-101
0807 7013	Spacer - 10.2x14x0.2mm	39-114
0807 7018	Washer - M10	21-116
0807 7018	Washer - M10	35-116
0807 7055	Holder - Main Shaft	21-107
0807 7114	Washer - 16x24x0.3mm	51-117
0807 7114	Washer - 16x24x0.3mm	53-112
0808 0021	Rubber Ring	47- 19

Part No.	Description	Page and Index No
0951 3004Z	Philips Screw With Flat Washer-M3x4	23-109
0951 3004Z	Philips Screw With Flat Washer-M3x4	35-124
0951 3004Z	Philips Screw With Flat Washer-M3x4	37-119
0951 3004Z	Philips Screw With Flat Washer-M3x4	79-101
0951 3005Z	Philips Pan Head Screw - M3x5	23-102
0951 3005Z	Philips Pan Head Screw - M3x5	27-107
0951 3005Z	Philips Pan Head Screw - M3x5	29-107
0951 3005Z	Philips Pan Head Screw - M3x5	49-101
0951 3006Z	Philips Screw With Flat Washer - M3	15-109
0951 3006Z	Philips Screw With Flat Washer - M3	17-100
0951 3006Z	Philips Screw With Flat Washer - M3	25-108
0951 3006Z	Philips Screw With Flat Washer - M3	27-101
0951 3006Z	Philips Screw With Flat Washer - M3	35-105
0951 3006Z	Philips Screw With Flat Washer - M3	57-101
0951 3006Z	Philips Screw With Flat Washer - M3	71-105
0951 3006Z	Philips Screw With Flat Washer - M3	79-112
0951 3008Z	Philips Screw With Flat Washer - M3	25-111
0951 3008Z	Philips Screw With Flat Washer - M3	41-106
0951 3008Z	Philips Screw With Flat Washer - M3	69-106
0951 3008Z	Philips Screw With Flat Washer - M3	79-105
0951 3014Z	Philips Screw W/T Flat Waser-M3x14	57-109
0951 4005Z	Philips Screw With Flat Washer-M4x5	69-107
0951 4006B	Philips Screw With Washer - M4x6	85-100
0951 4006Z	Philips Screw With Flat Washer - M4	11-109
0951 4006Z	Philips Screw With Flat Washer - M4	21-125
0951 4006Z	Philips Screw With Flat Washer - M4	33-107
0951 4006Z	Philips Screw With Flat Washer - M4	35-108
0951 4006Z	Philips Screw With Flat Washer - M4	47-100
0951 4006Z	Philips Screw With Flat Washer - M4	51-108
0951 4006Z	Philips Screw With Flat Washer - M4	53-110
0951 4006Z	Philips Screw With Flat Washer - M4	67-103
0951 4008Z	Philips Screw With Flat Washer M4x8	25-105
0951 4008Z	Philips Screw With Flat Washer M4x8	29-104
0951 4008Z	Philips Screw With Flat Washer M4x8	37-100
0951 4008Z	Philips Screw With Flat Washer M4x8	39-100

Part No.	Description	Page and Index No.
0951 4008Z	Philips Screw With Flat Washer M4x8	39-108
0951 4008Z	Philips Screw With Flat Washer M4x8	51-116
0951 4010Z	Philips Screw With Flat Washer M4x8	47-109
0951 4010Z	Philips Screw With Flat Washer M4x8	65-103
0951 4020Z	Philips Screw With Flat Washer - M4	47-103
0951 5012B	Philips Screw With Flat Washer - M5x12	85-102
0951 5035Z	Philips Screw W/T Flat Washer-M3x35	15-106
0952 4008W	Philips Screw - M4x8	31-110
0960 3006Z	Philips Flange Screw - M3x6	37-120
0960 3006Z	Philips Flange Screw - M3x6	79-107
0960 3006Z	Philips Flange Screw - M3x6	79-114
0960 3008B	Philips Flange Screw - M3x8	85-101
0960 4005Z	Philips Flange Screw - M4x5	73-101
0960 4006Z	Philips Frang Screw - M4x6	47-102
0960 4006Z	Philips Frang Screw - M4x6	49-102
0960 4006Z	Philips Frang Screw - M4x6	51-112
0960 4006Z	Philips Frang Screw - M4x6	55-103
0960 4006Z	Philips Frang Screw - M4x6	57-102
0960 4006Z	Philips Frang Screw - M4x6	59-107
0960 4008W	Philips Flange Screw - M4x8	61-109
0960 4008Z	Flange Head Screw - 4x8	19-120
0960 4008Z	Flange Head Screw - 4x8	21-114
0960 4008Z	Flange Head Screw - 4x8	29-103
0960 4008Z	Flange Head Screw - 4x8	39-110
0960 4008Z	Flange Head Screw - 4x8	45-102
0960 4008Z	Flange Head Screw - 4x8	49-107
0960 4008Z	Flange Head Screw - 4x8	61-100
0960 4008Z	Flange Head Screw - 4x8	77-111
0960 4008Z	Flange Head Screw - 4x8	79-108
0960 4010Z	Philips Flange Screw - M4x10	73-100
0960 5008Z	Philips Flange Screw - M5x8	45-103
0964 4008Z	Tapping Screw W/washer - M4x8	69-104
0964 4008Z	Tapping Screw W/washer - M4x8	71-110
0964 4010Z	Tapping Screw W/washer - M4x10	75-101
0965 3010W	Tapping Screw With Flat Washer-M3x1	11-100

Part No.	Description	Page and Index No
0965 3010W	Tapping Screw With Flat Washer-M3x1	23-101
0965 3010W	Tapping Screw With Flat Washer-M3x1	75-105
0965 3012W	Tapping Screw With Flat Washer - M3	43-105
0965 3012W	Tapping Screw With Flat Washer - M3	43-106
0965 4006B	Tapping Screw - M4x6	11-107
0965 4008W	Tapping Screw With Flat Washer-M4x8	11-104
1102 1341	Connector - 8P	51-101
1105 0005	Nylon Clip - 3N	21-126
1105 0005	Nylon Clip - 3N	55-104
1105 0005	Nylon Clip - 3N	57-111
1105 0010	Nylon Clip - 6N	39-109
1105 0011	Nylon Clip - 8N	57-103
1105 0011	Nylon Clip - 8N	61-103
1105 0016	Nylon Clip - 4N	69-108
1105 0016	Nylon Clip - 4N	79-117
1105 0021	Cord Clamper	37-122
1105 0042	Wire Band	23-104
1105 0108	Nylon Clip	75-104
1105 0144	Harness Clamp	61-104
1105 0144	Harness Clamp	63-105
1105 0144	Harness Clamp	69-111
1105 0193	Locking Support	63-106
1105 0209	Clamp	15-110
1105 0209	Clamp	53-103
1105 0225	Spacer - W Rocking	59-108
1106 0103	Universal Bushing	61-105
1106 0180	Snap Bush - 3.3mm	77-105
1106 0430	Bushing - 13mm	77-101
1107 0354	Fuse - 3.15A 125V	41-107
1107 0354	Fuse - 3.15A 125V	77-117
1107 0411	Fuse - 2A 125V	79-110
1107 0415	Fuse 5A	41-105
1107 0415	Fuse 5A	79-111
1107 0788	Circuit Breaker - 6A	79-109
1204 1442	Microswitch	77-120

Part No.	Description	Page and Index No.
1204 2239	Micro Switch	23-105
1204 2353	Switch - PS3670-02	55-106
1403 0456	Photosensor - EE-SB5-C3	23-110
1403 0456	Photosensor - EE-SB5-C3	39- 15
1403 0690	Sensor - TLP1215	23-103
1403 0691	Photo Sensor	39- 16
1602 0991	Noise Filter - 115V	77-102
1607 0742	Noise Filter - 230V	77-102
2701 0101	Metal Screen Seal	51-110

Part No.	Description	Page and Index No.